



T&S BRASS AND BRONZE WORKS, INC.
 2 Saddleback Cove / P.O. Box 1088
 Travelers Rest, SC 29690

Model No.
B-0658

Item No.

Travelers Rest, SC: 800-476-4103 • Simi Valley, CA: 800-423-0150 • Fax: 864-834-3518 • www.tsbrass.com



ADA Compliant

This Space for Architect/Engineer Approval

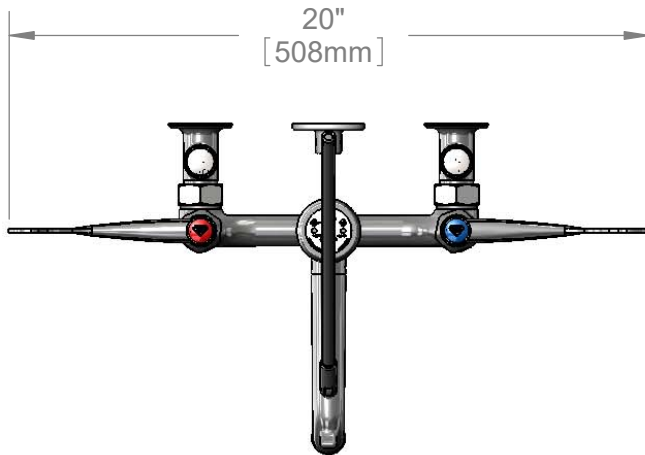
Job Name _____ Date _____

Model Specified _____ Quantity _____

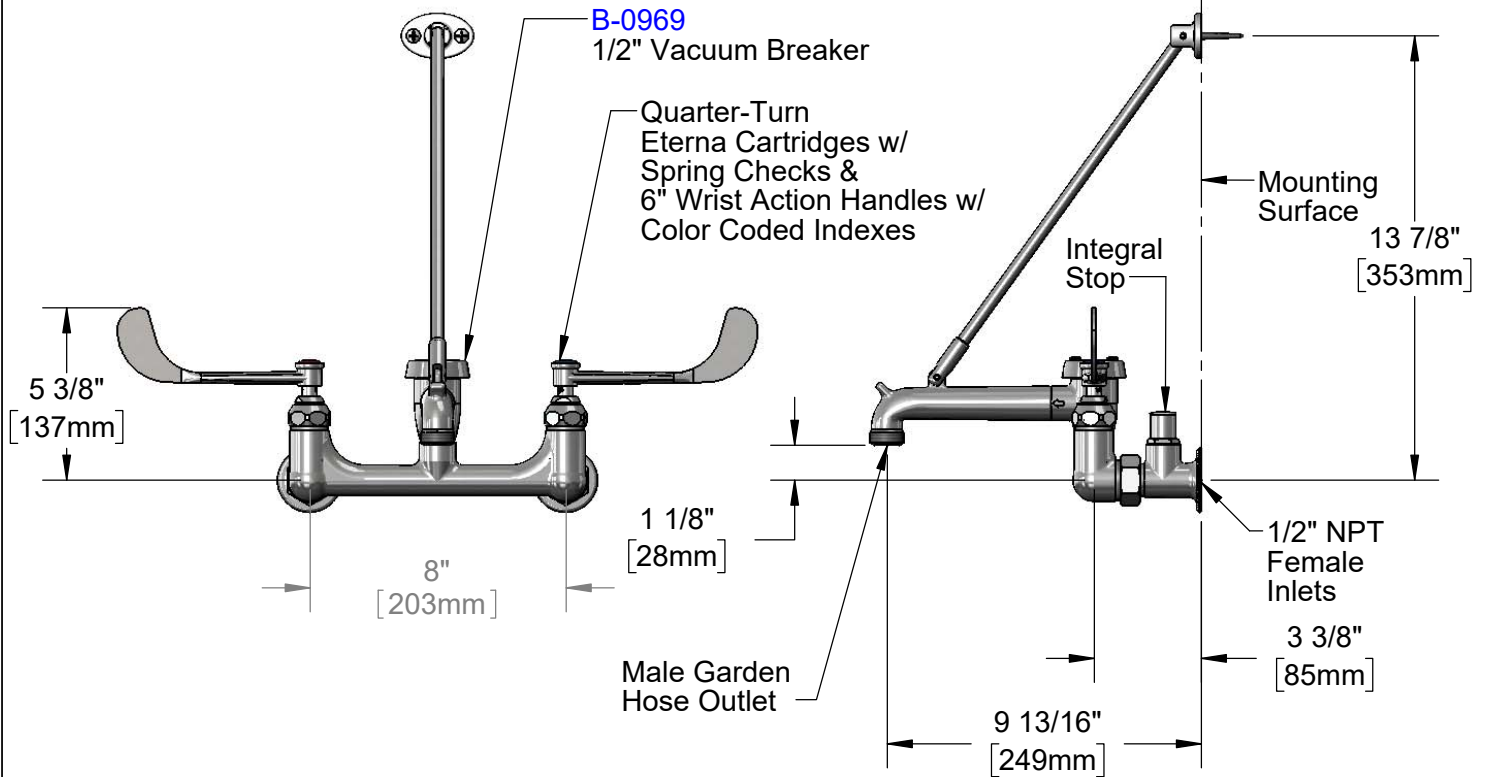
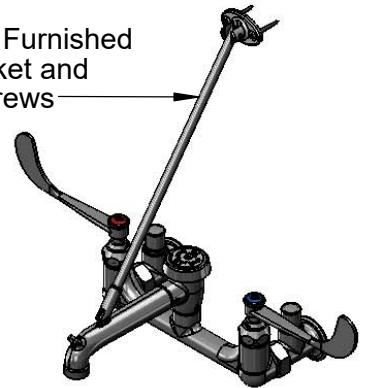
Customer/Wholesaler _____

Contractor _____

Architect/Engineer _____



Support Rod Furnished
 w/ Wall Bracket and
 Mounting Screws



Product Specifications:

8" Wall Mount Service Sink Faucet, Quarter-Turn Eterna Cartridges w/ Spring Checks, 6" Wrist Action Handles, Upper Support Rod, Male Garden Hose Outlet, Polished Chrome Finish, Integral Stops, 1/2" NPT Vacuum Breaker & 1/2" NPT Female Inlets

Product Compliance:

ASME A112.18.1 / CSA B125.1
 NSF 61 - Section 9
 NSF 372 (Low Lead Content)
 ANSI A117.1 (ADA)
 ASSE 1001 (VB)

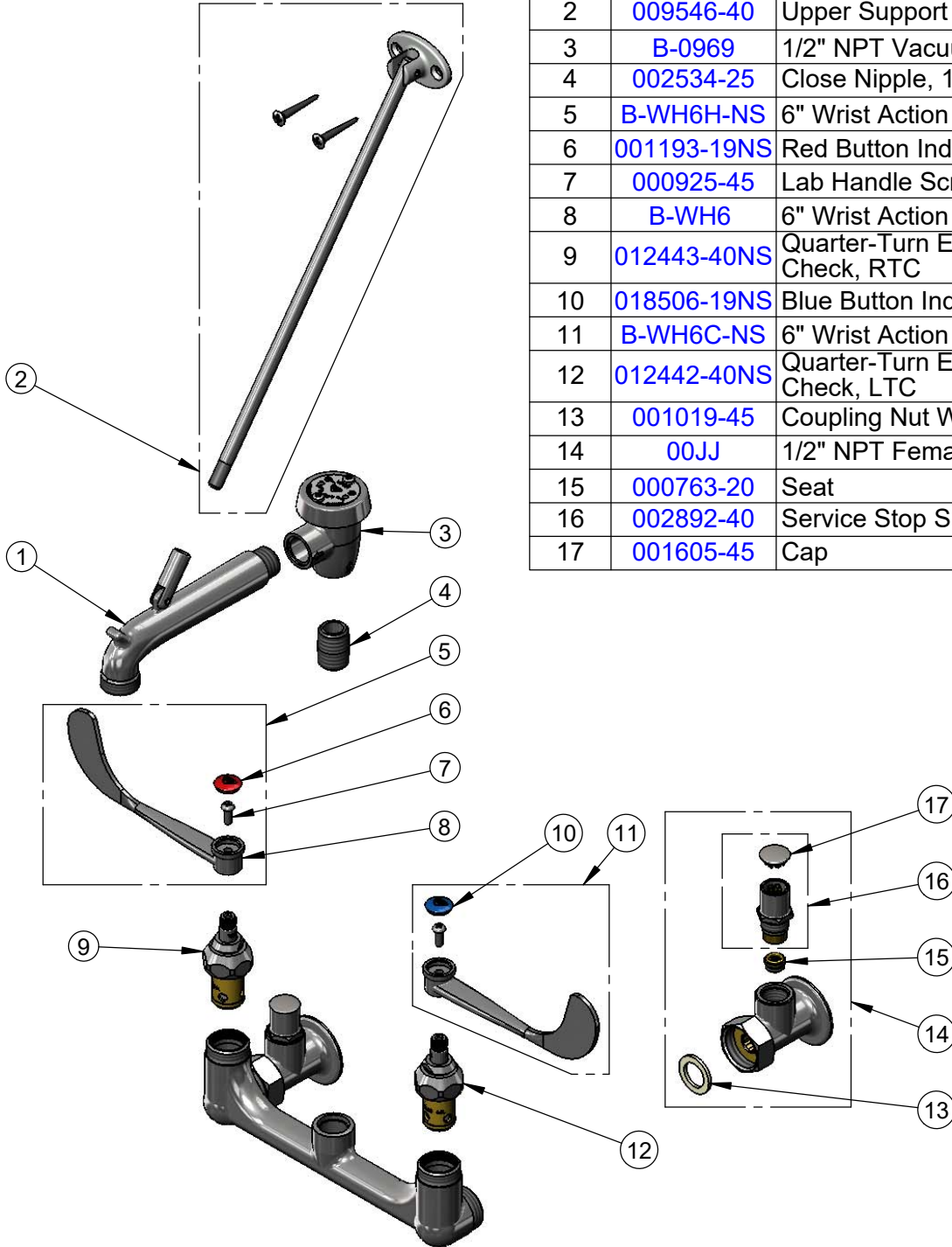


T&S BRASS AND BRONZE WORKS, INC.
 2 Saddleback Cove / P.O. Box 1088
 Travelers Rest, SC 29690

Model No.
B-0658

Item No.

Travelers Rest, SC: 800-476-4103 • Simi Valley, CA: 800-423-0150 • Fax: 864-834-3518 • www.tsbrass.com



ITEM NO.	SALES NO.	DESCRIPTION
1	009545-40	Spout w/ Male GH Outlet & Upper Clevis - Polished Chrome
2	009546-40	Upper Support Rod
3	B-0969	1/2" NPT Vacuum Breaker
4	002534-25	Close Nipple, 1/2" NPT
5	B-WH6H-NS	6" Wrist Action Handle, Red Index & Screw
6	001193-19NS	Red Button Index, Press-in
7	000925-45	Lab Handle Screw
8	B-WH6	6" Wrist Action Handle
9	012443-40NS	Quarter-Turn Eterna Cartridge w/ Spring Check, RTC
10	018506-19NS	Blue Button Index, Press-in
11	B-WH6C-NS	6" Wrist Action Handle, Blue Index & Screw
12	012442-40NS	Quarter-Turn Eterna Cartridge w/ Spring Check, LTC
13	001019-45	Coupling Nut Washer
14	00JJ	1/2" NPT Female Inlet w/ Loose Key Stop
15	000763-20	Seat
16	002892-40	Service Stop Spindle w/ Cap
17	001605-45	Cap

Product Specifications:
 8" Wall Mount Service Sink Faucet, Quarter-Turn Eterna Cartridges w/ Spring Checks, 6" Wrist Action Handles, Upper Support Rod, Male Garden Hose Outlet, Polished Chrome Finish, Integral Stops, 1/2" NPT Vacuum Breaker & 1/2" NPT Female Inlets

Product Compliance:
 ASME A112.18.1 / CSA B125.1
 NSF 61 - Section 9
 NSF 372 (Low Lead Content)
 ANSI A117.1 (ADA)
 ASSE 1001 (VB)