



# T&S BRASS AND BRONZE WORKS, INC.

2 Saddleback Cove / P.O. Box 1088  
Travelers Rest, SC 29690

Model No.

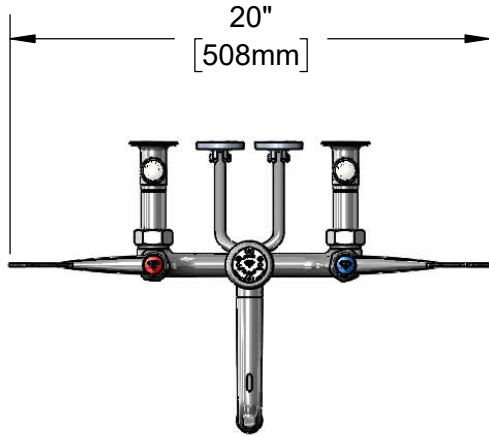
**B-0657**

Item No.

Travelers Rest, SC: 800-476-4103 • Simi Valley, CA: 800-423-0150 • Fax: 864-834-3518 • www.tsbrass.com



**ADA Compliant**



This Space for Architect/Engineer Approval

Job Name \_\_\_\_\_ Date \_\_\_\_\_

Model Specified \_\_\_\_\_ Quantity \_\_\_\_\_

Customer/Wholesaler \_\_\_\_\_

Contractor \_\_\_\_\_

Architect/Engineer \_\_\_\_\_



**B-0969**  
1/2" NPT Vacuum Breaker

Quarter-Turn  
Eterna Cartridges w/  
Spring Checks &  
6" Wrist Action Handles w/  
Color Coded Indexes

Garden Hose  
Male Outlet

Ø2" [51mm]  
Flanges w/  
1/2" NPT  
Female Inlets

Lower Wall Support  
Rod w/ Wall Bracket  
& Mounting Screws

**00JJ-XT**  
Integral  
Supply Stop

000611-40  
Extension

5 3/8"  
[137mm]

2 7/16"  
[62mm]

8"  
[203mm]

9 5/16"  
[237mm]

5 1/8"  
[130mm]

11 9/16"  
[294mm]

Mounting Surface

**Product Specifications:**

8" Wall Mount Service Sink Faucet, Quarter-Turn Eterna Cartridges w/ Spring Checks, 6" Wrist Action Handles, Lower Support Rod, Garden Hose Male Outlet, Polished Chrome Finish, 1/2" Vacuum Breaker & 1/2" NPT Extended Inlets w/ Integral Stops

**Product Compliance:**

ASME A112.18.1 / CSA B125.1  
NSF 61 - Section 9  
NSF 372 (Low Lead Content)  
ANSI A117.1 (ADA)  
ASSE 1001 (VB)



# T&S BRASS AND BRONZE WORKS, INC.

2 Saddleback Cove / P.O. Box 1088  
Travelers Rest, SC 29690

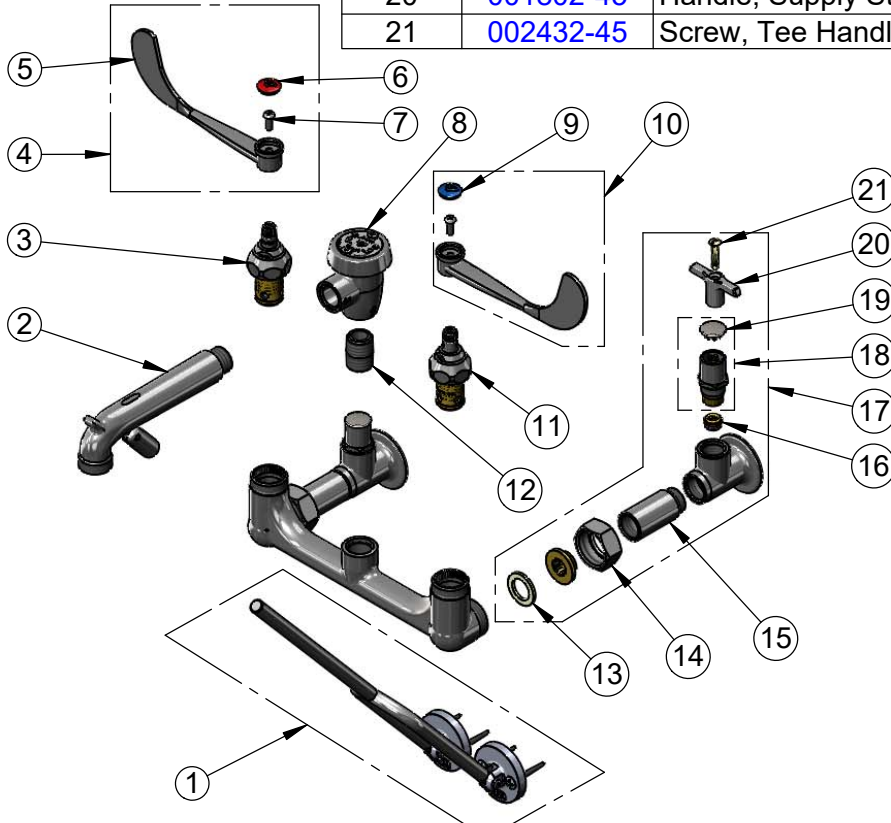
Model No.

**B-0657**

Item No.

Travelers Rest, SC: 800-476-4103 • Simi Valley, CA: 800-423-0150 • Fax: 864-834-3518 • www.tsbrass.com

ITEM NO.	SALES NO.	DESCRIPTION
1	009616-40	Lower Support Rod w/ Mounting Screws
2	016450-40	Spout, Polished Chrome w/ Bottom Support Clevis
3	012443-40NS	Quarter-Turn Eterna Cartridge w/ Spring Check, RTC
4	B-WH6H-NS	6" Wrist Action Handle, Red Index & Screw
5	B-WH6	6" Wrist Action Handle
6	001193-19NS	Red Button Index, Press-in
7	000925-45	Lab Handle Screw
8	B-0969	1/2" NPT Vacuum Breaker
9	018506-19NS	Blue Button Index, Press-in
10	B-WH6C-NS	6" Wrist Action Handle, Blue Index & Screw
11	012442-40NS	Quarter-Turn Eterna Cartridge w/ Spring Check, LTC
12	002534-25	Close Nipple, 1/2" NPT
13	001019-45	Coupling Nut Washer
14	000721-25	Flange Coupling Nut
15	000611-25	Extension, 1 3/4" Long
16	000763-20	Seat
17	00JJ-XT	1/2" NPT Female Inlet with Loose Key Stop & Extension
18	002892-40	Service Stop Spindle w/ Cap
19	001605-45	Cap
20	001802-45	Handle, Supply Stop Tee
21	002432-45	Screw, Tee Handle



**Product Specifications:**

8" Wall Mount Service Sink Faucet, Quarter-Turn Eterna Cartridges w/ Spring Checks, 6" Wrist Action Handles, Lower Support Rod, Garden Hose Male Outlet, Polished Chrome Finish, 1/2" Vacuum Breaker & 1/2" NPT Extended Inlets w/ Integral Stops

**Product Compliance:**

ASME A112.18.1 / CSA B125.1  
NSF 61 - Section 9  
NSF 372 (Low Lead Content)  
ANSI A117.1 (ADA)  
ASSE 1001 (VB)