



T&S BRASS AND BRONZE WORKS, INC.

2 Saddleback Cove / P.O. Box 1088
Travelers Rest, SC 29690

Model No.

B-0655-01

Item No.

Travelers Rest, SC: 800-476-4103 • Simi Valley, CA: 800-423-0150 • Fax: 864-834-3518 • www.tsbrass.com



ADA Compliant

This Space for Architect/Engineer Approval

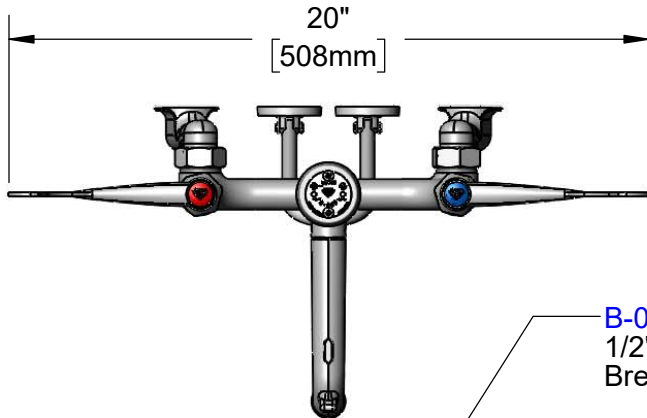
Job Name _____ Date _____

Model Specified _____ Quantity _____

Customer/Wholesaler _____

Contractor _____

Architect/Engineer _____



B-0969
1/2" NPT Vacuum
Breaker

Quarter-Turn
Eterna Cartridges w/
Spring Checks & 6"
Wrist Action Handles
w/ Color Coded Indexes

1 1/8"
[28mm]

Ø 2" [51mm]
Flanges w/
1/2" NPT
Female Inlets

Garden Hose
Male Outlet

Lower Wall Support
Rod w/ Wall Bracket
& Mounting Screws

Built-In
Service Stops

1 3/4"
[44mm]

11 1/8"
[283mm]

2 3/4"
[70mm]

9 3/16"
[234mm]

Mounting Surface

5 3/8"
[137mm]

2 7/16"
[62mm]

Inlets Adjustable
from 3 1/4" [83mm]
to 12 3/4" [324mm]
Below or Above
Centerline

Product Specifications:

Adjustable Wall Mount Service Sink Faucet, Quarter-Turn Eterna Cartridges w/ Spring Checks, 6" Wrist Action Handles, Lower Support Rod, 1/2" NPT Adjustable Inlets w/ Supply Stops, Male Garden Hose Outlet, Polished Chrome Finish & 1/2" NPT Vacuum Breaker

Product Compliance:

ASME A112.18.1 / CSA B125.1
NSF 61 - Section 9
NSF 372 (Low Lead Content)
ANSI A117.1 (ADA)
ASSE 1001 (VB)



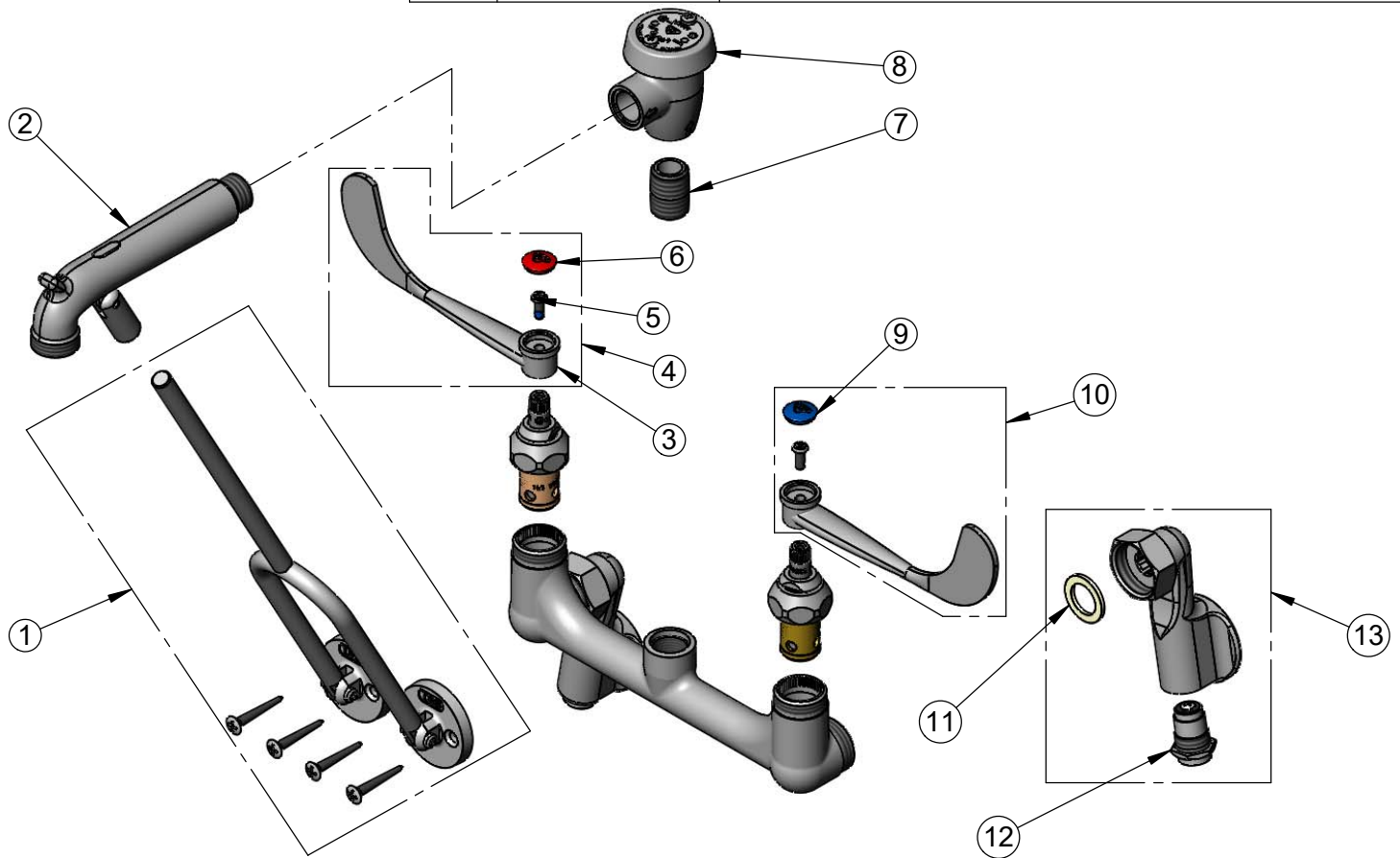
T&S BRASS AND BRONZE WORKS, INC.
 2 Saddleback Cove / P.O. Box 1088
 Travelers Rest, SC 29690

Model No.
B-0655-01

Item No.

Travelers Rest, SC: 800-476-4103 • Simi Valley, CA: 800-423-0150 • Fax: 864-834-3518 • www.tsbrass.com

| ITEM NO. | SALES NO. | DESCRIPTION |
|----------|-------------|---|
| 1 | 009616-40 | Lower Support Rod w/ Mounting Screws |
| 2 | 016450-40 | Spout, Polished Chrome w/ Bottom Support Clevis |
| 3 | B-WH6 | 6" Wrist Action Handle |
| 4 | B-WH6H-NS | Wrist Action Handle, Red Index & Screw |
| 5 | 000925-45 | Lab Handle Screw </td |
| 6 | 001193-19NS | Red Button Index, Press-in |
| 7 | 002534-25 | Close Nipple, 1/2" NPT |
| 8 | B-0969 | 1/2" NPT Vacuum Breaker |
| 9 | 018506-19NS | Blue Button Index, Press-in |
| 10 | B-WH6C-NS | 6" Wrist Action Handle, Blue Index & Screw |
| 11 | 001019-45 | Coupling Nut Washer |
| 12 | 163A | Built-in Service Stops |
| 13 | 00XX | 1/2" NPT Adjustable Inlet Flange w/ Screw Driver Stop |



Product Specifications:
 Adjustable Wall Mount Service Sink Faucet, Quarter-Turn Eterna Cartridges w/ Spring Checks, 6" Wrist Action Handles, Lower Support Rod, 1/2" NPT Adjustable Inlets w/ Supply Stops, Male Garden Hose Outlet, Polished Chrome Finish & 1/2" NPT Vacuum Breaker

Product Compliance:
 ASME A112.18.1 / CSA B125.1
 NSF 61 - Section 9
 NSF 372 (Low Lead Content)
 ANSI A117.1 (ADA)
 ASSE 1001 (VB)