



T&S BRASS AND BRONZE WORKS, INC.

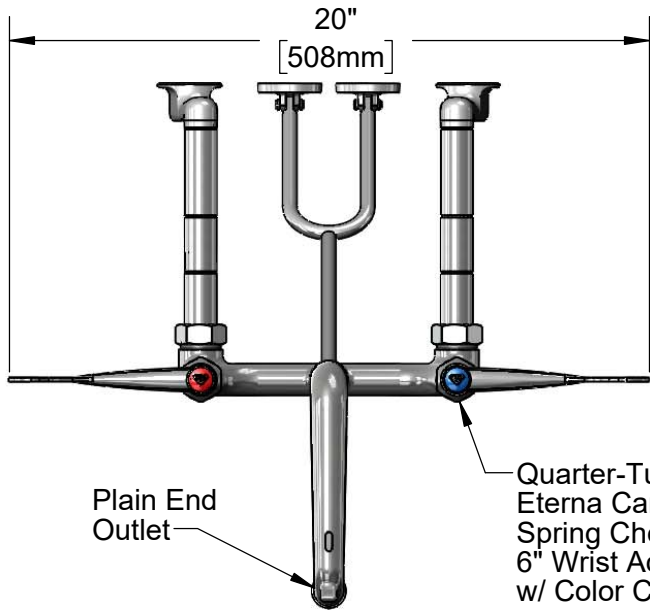
2 Saddleback Cove / P.O. Box 1088
Travelers Rest, SC 29690

Model No.

B-0652

Item No.

Travelers Rest, SC: 800-476-4103 • Simi Valley, CA: 800-423-0150 • Fax: 864-834-3518 • www.tsbrass.com



Plain End Outlet

Quarter-Turn Eterna Cartridges w/ Spring Checks & 6" Wrist Action Handle w/ Color Coded Indexes

This Space for Architect/Engineer Approval

Job Name _____ Date _____

Model Specified _____ Quantity _____

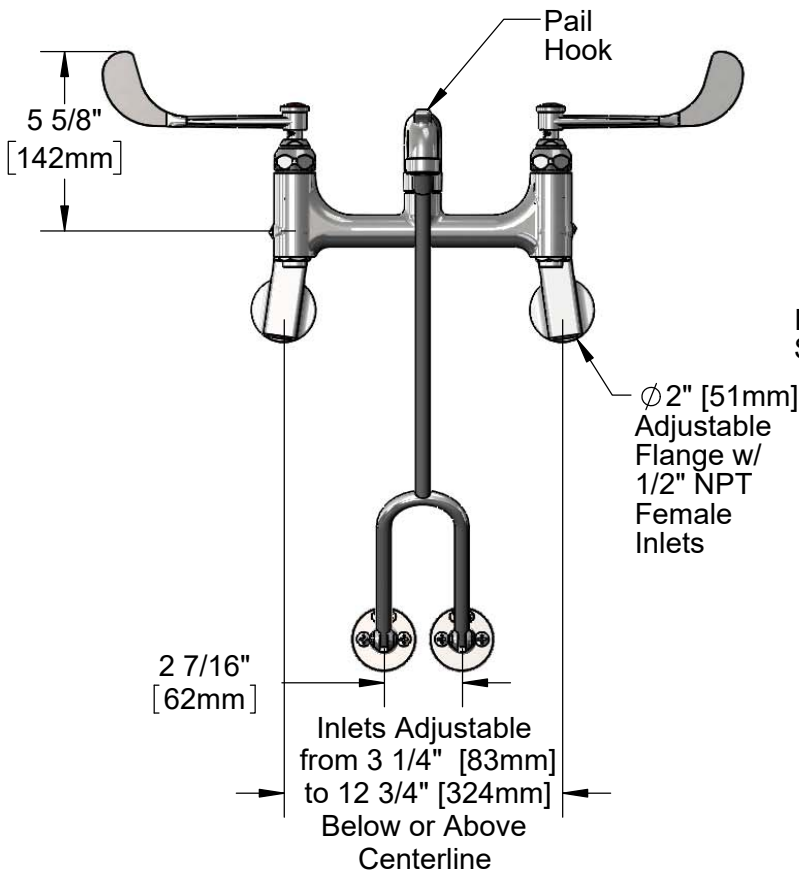
Customer/Wholesaler _____

Contractor _____

Architect/Engineer _____



ADA Compliant



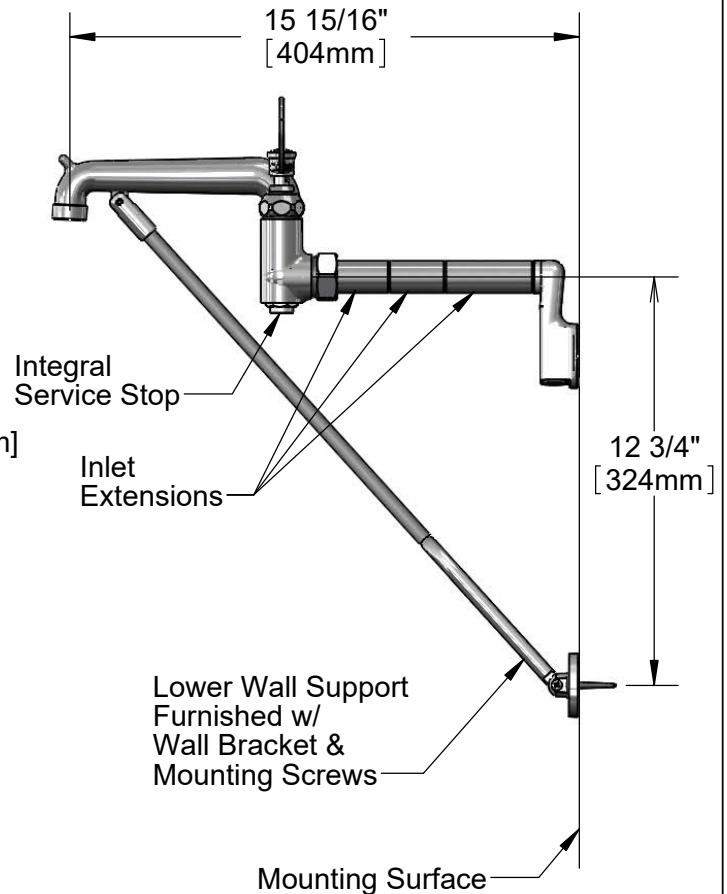
5 5/8" [142mm]

Pail Hook

Ø2" [51mm] Adjustable Flange w/ 1/2" NPT Female Inlets

2 7/16" [62mm]

Inlets Adjustable from 3 1/4" [83mm] to 12 3/4" [324mm] Below or Above Centerline



15 15/16" [404mm]

Integral Service Stop

Inlet Extensions

12 3/4" [324mm]

Lower Wall Support Furnished w/ Wall Bracket & Mounting Screws

Mounting Surface

Product Specifications:

Adjustable Wall Mount Service Sink Faucet, Polished Chrome Finish, Quarter-Turn Eterna Cartridges w/ Spring Checks, 6" Wrist Action Handles, Spout w/ Plain End Outlet, Built-In Service Stops, Lower Support Rod & 1/2" NPT Extended Inlets

Product Compliance:

ASME A112.18.1 / CSA B125.1
NSF 61 - Section 9
NSF 372 (Low Lead Content)
ANSI A117.1 (ADA)



T&S BRASS AND BRONZE WORKS, INC.
 2 Saddleback Cove / P.O. Box 1088
 Travelers Rest, SC 29690

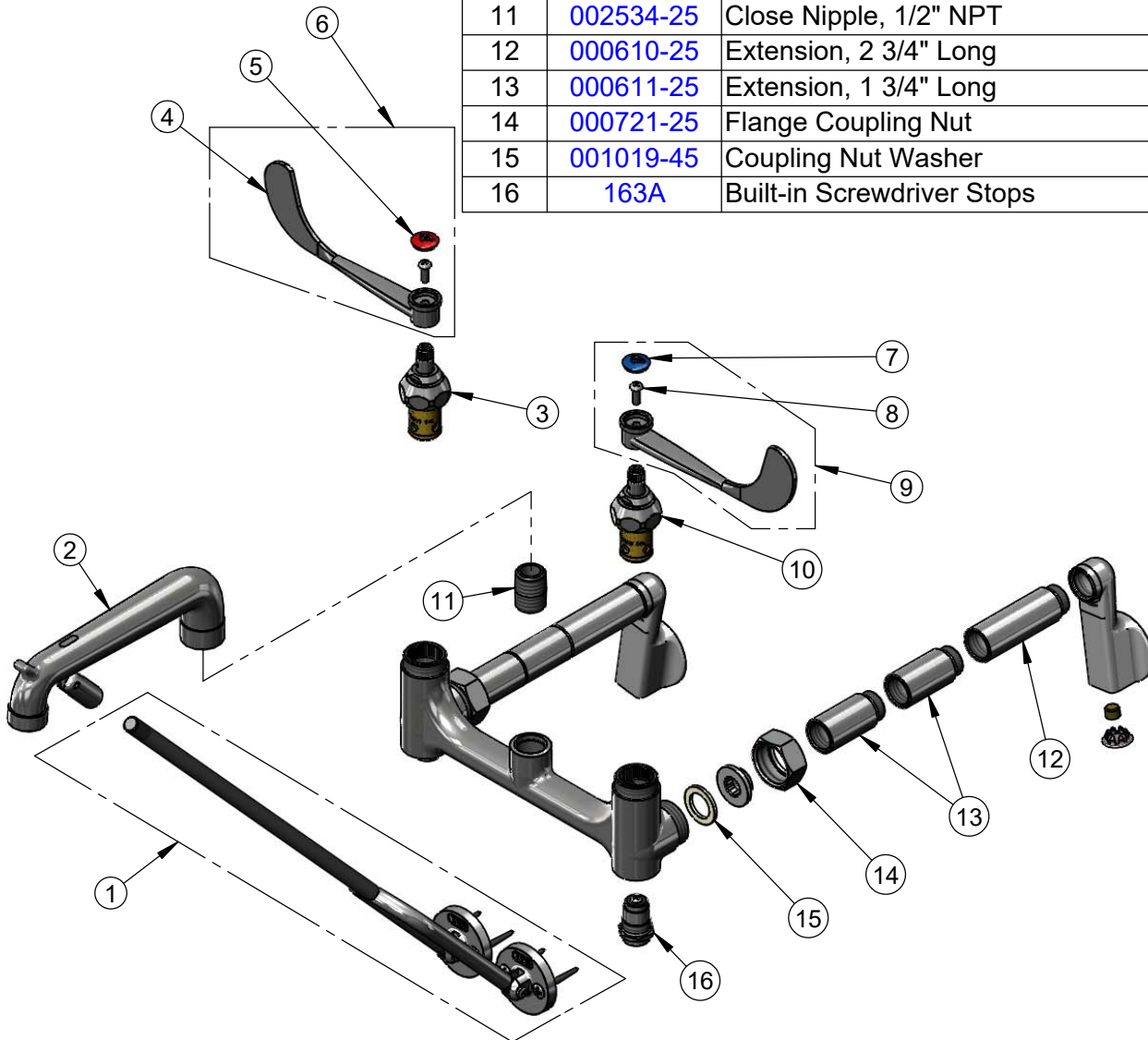
Model No.

B-0652

Item No.

Travelers Rest, SC: 800-476-4103 • Simi Valley, CA: 800-423-0150 • Fax: 864-834-3518 • www.tsbrass.com

ITEM NO.	SALES NO.	DESCRIPTION
1	015476-40	Lower Support Rod w/ Mounting Screws
2	016844-40	Plain End Spout w/ Lower Clevis - Polished Chrome
3	012443-40NS	Quarter-Turn Eterna Cartridge w/ Spring Check, RTC
4	B-WH6	6" Wrist Action Handle
5	001193-19NS	Red Button Index, Press-in
6	B-WH6H-NS	6" Wrist Action Handle, Red Index & Screw
7	018506-19NS	Blue Button Index, Press-in
8	000925-45	Lab Handle Screw
9	B-WH6C-NS	6" Wrist Action Handle, Blue Index & Screw
10	012442-40NS	Quarter-Turn Eterna Cartridge w/ Spring Check, LTC
11	002534-25	Close Nipple, 1/2" NPT
12	000610-25	Extension, 2 3/4" Long
13	000611-25	Extension, 1 3/4" Long
14	000721-25	Flange Coupling Nut
15	001019-45	Coupling Nut Washer
16	163A	Built-in Screwdriver Stops



Product Specifications:

Adjustable Wall Mount Service Sink Faucet, Polished Chrome Finish, Quarter-Turn Eterna Cartridges w/ Spring Checks, 6" Wrist Action Handles, Spout w/ Plain End Outlet, Built-In Service Stops, Lower Support Rod & 1/2" NPT Extended Inlets

Product Compliance:

ASME A112.18.1 / CSA B125.1
 NSF 61 - Section 9
 NSF 372 (Low Lead Content)
 ANSI A117.1 (ADA)