



T&S BRASS AND BRONZE WORKS, INC.

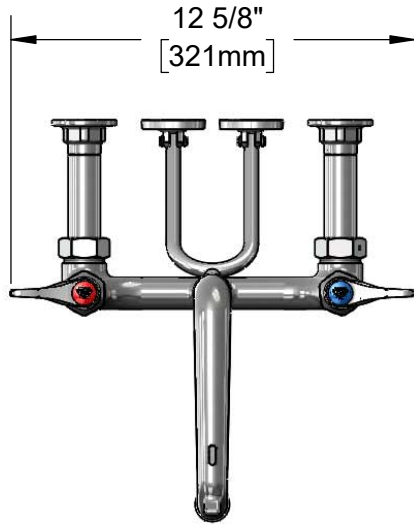
2 Saddleback Cove / P.O. Box 1088
Travelers Rest, SC 29690

Model No.

B-0650-BSTP

Item No.

Travelers Rest, SC: 800-476-4103 • Simi Valley, CA: 800-423-0150 • Fax: 864-834-3518 • www.tsbrass.com



ADA Compliant

This Space for Architect/Engineer Approval

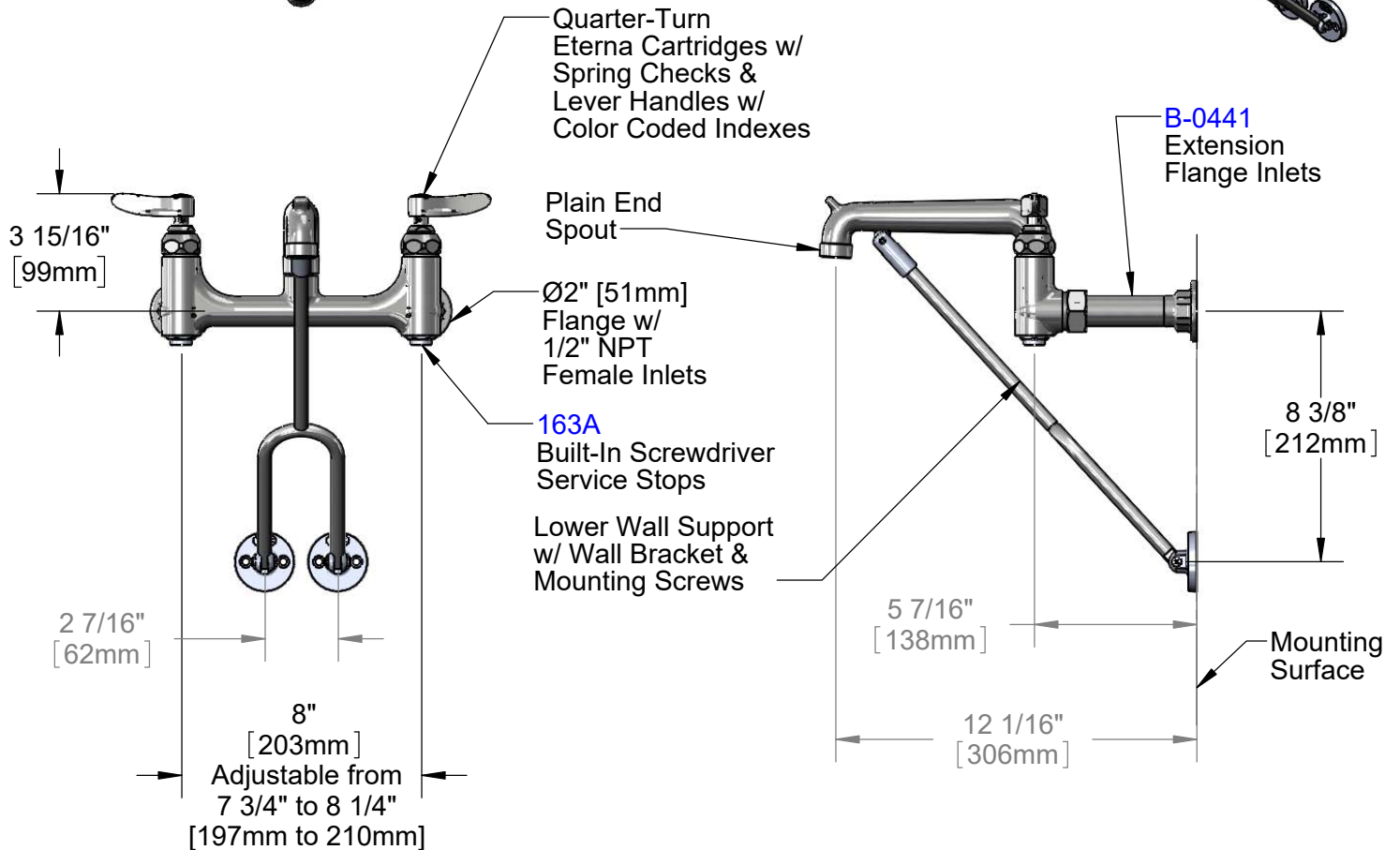
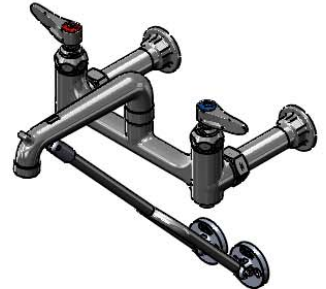
Job Name _____ Date _____

Model Specified _____ Quantity _____

Customer/Wholesaler _____

Contractor _____

Architect/Engineer _____



Product Specifications:

8" Wall Support Service Sink, Eterna Cartridges w/ Spring Checks, Lever Handles, Polish Chrome Finish, Lower Support Rod, 1/2" NPT Extended Inlets & Plain Outlet

Product Compliance:

ASME A112.18.1 / CSA B125.1
NSF 61 - Section 9
NSF 372 (Low Lead Content)
ANSI A117.1 (ADA)



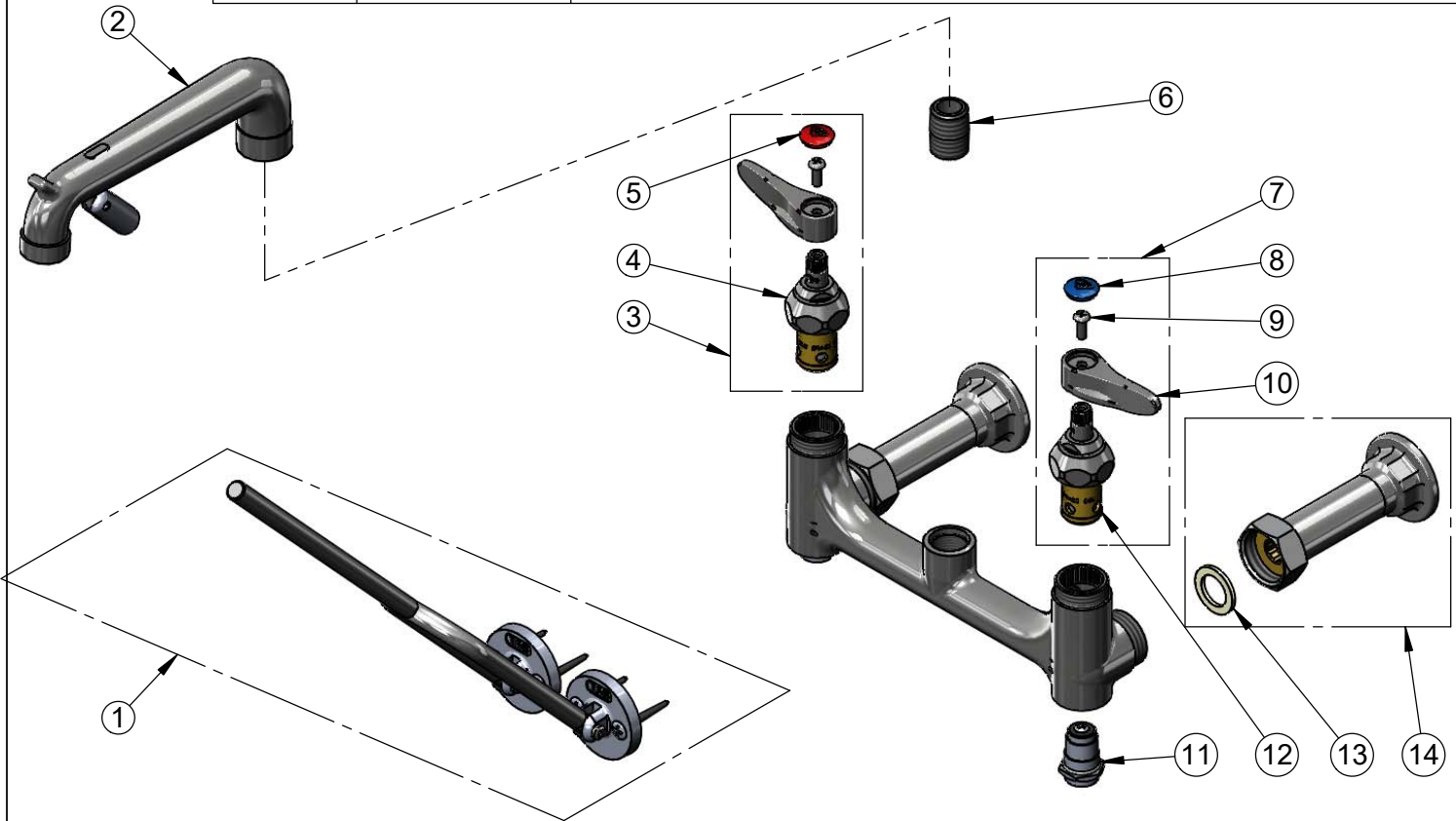
T&S BRASS AND BRONZE WORKS, INC.
 2 Saddleback Cove / P.O. Box 1088
 Travelers Rest, SC 29690

Model No.
B-0650-BSTP

Item No.

Travelers Rest, SC: 800-476-4103 • Simi Valley, CA: 800-423-0150 • Fax: 864-834-3518 • www.tsbrass.com

| ITEM NO. | SALES NO. | DESCRIPTION |
|----------|-------------|--|
| 1 | 009616-40 | Lower Wall Support w/ Mounting Screws |
| 2 | 016844-40 | Plain End Spout w/ Lower Clevis - Polished Chrome |
| 3 | 002712-40NS | Quarter-Turn Eterna Cartridge w/ Spring Check, Handle, Red Index & Screw, RTC |
| 4 | 012443-40NS | Quarter-Turn Eterna Cartridge w/ Spring Check, RTC |
| 5 | 001193-19NS | Red Button Index, Press-in |
| 6 | 002534-25 | Close Nipple, 1/2" NPT |
| 7 | 002711-40NS | Quarter-Turn Eterna Cartridge w/ Spring Check, Handle, Blue Index & Screw, LTC |
| 8 | 018506-19NS | Blue Button Index, Press-in |
| 9 | 000925-45 | Lab Handle Screw |
| 10 | 001638-45NS | Lever Handle (New Style) |
| 11 | 163A | Built-in Service Stop |
| 12 | 012442-40NS | Quarter-Turn Eterna Cartridge w/ Spring Check, LTC |
| 13 | 001019-45 | Coupling Nut Washer |
| 14 | B-0441 | 1/2" x 4" Extension Flange Inlet |



Product Specifications:

8" Wall Support Service Sink, Eterna Cartridges w/ Spring Checks, Lever Handles, Polish Chrome Finish, Lower Support Rod, 1/2" NPT Extended Inlets & Plain Outlet

Product Compliance:

ASME A112.18.1 / CSA B125.1
 NSF 61 - Section 9
 NSF 372 (Low Lead Content)
 ANSI A117.1 (ADA)