



T&S BRASS AND BRONZE WORKS, INC.

2 Saddleback Cove / P.O. Box 1088
Travelers Rest, SC 29690

Model No.

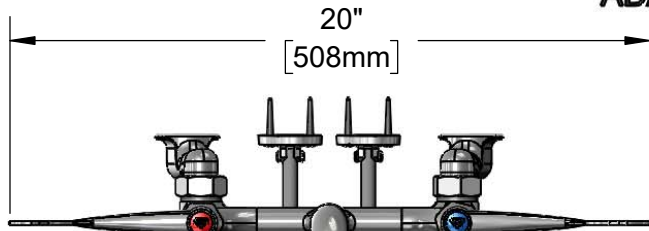
B-0650-01

Item No.

Travelers Rest, SC: 800-476-4103 • Simi Valley, CA: 800-423-0150 • Fax: 864-834-3518 • www.tsbrass.com



ADA Compliant



Quarter-Turn Eterna Cartridges w/ Spring Checks & 6" Wrist Action Handles w/ Color Coded Indexes

Plain End Spout

This Space for Architect/Engineer Approval

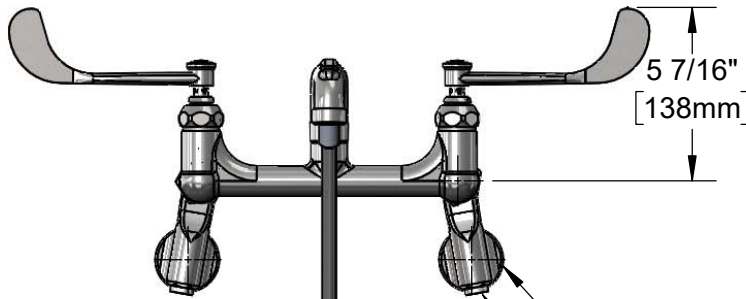
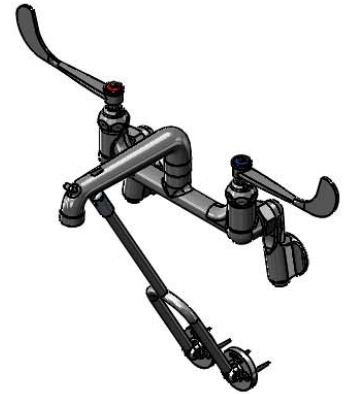
Job Name _____ Date _____

Model Specified _____ Quantity _____

Customer/Wholesaler _____

Contractor _____

Architect/Engineer _____

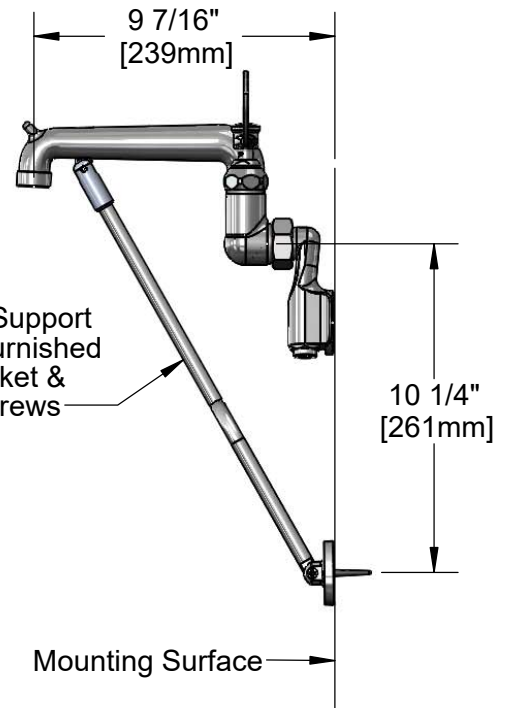


Ø2" [51mm] Flange

00XX Adjustable Flange w/ 1/2" NPT Female Inlets & Screwdriver Stops

2 7/16" [62mm]

Inlets Adjustable from 3 1/4" [83mm] to 12 3/4" [324mm] Below or Above Centerline



Lower Wall Support Assembly Furnished w/ Wall Bracket & Mounting Screws

Mounting Surface

Product Specifications:

Adjustable Wall Mount Service Sink Faucet, Quarter-Turn Eterna Cartridges w/ Spring Checks, Polished Chrome Finish, 6" Wrist Action Handles, Lower Support Rod, 1/2" NPT Adjustable Inlets & Plain End Outlet

Product Compliance:

ASME A112.18.1 / CSA B125.1
NSF 61 - Section 9
NSF 372 (Low Lead Content)
ANSI A117.1 (ADA)



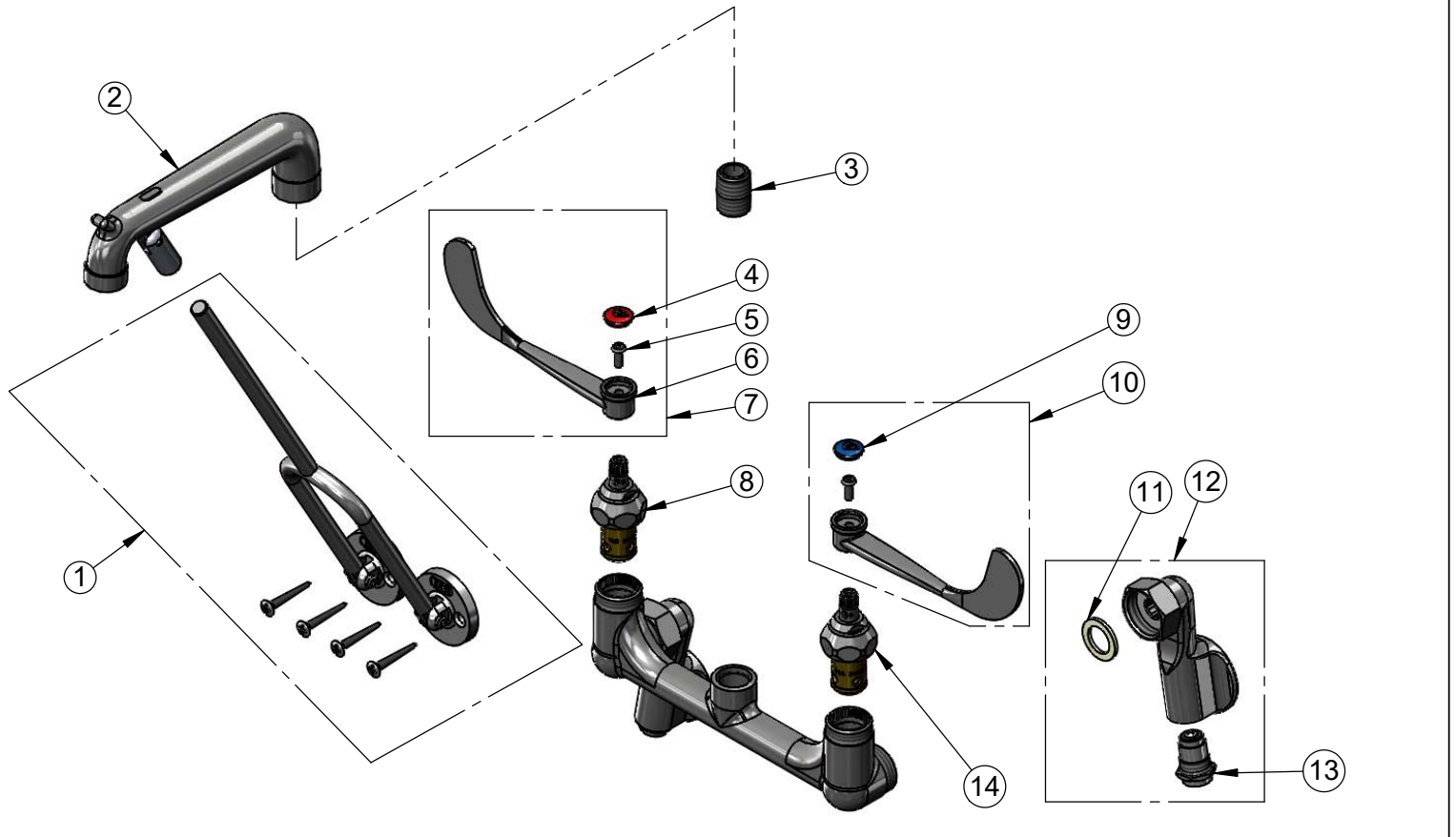
T&S BRASS AND BRONZE WORKS, INC.
 2 Saddleback Cove / P.O. Box 1088
 Travelers Rest, SC 29690

Model No.
B-0650-01

Item No.

Travelers Rest, SC: 800-476-4103 • Simi Valley, CA: 800-423-0150 • Fax: 864-834-3518 • www.tsbrass.com

ITEM NO.	SALES NO.	DESCRIPTION
1	009616-40	Lower Support Rod Assembly w/ Mounting Screws
2	016844-40	Spout, B-0650 Chrome Polished
3	002534-25	Close Nipple, 1/2" NPT
4	001193-19NS	Red Button Index, Press-in
5	000925-45	Lab Handle Screw
6	B-WH6	6" Wrist Action Handle
7	B-WH6H-NS	6" Wrist Action Handle, Red Index & Screw
8	012443-40NS	Quarter-Turn Eterna Cartridge w/ Spring Check, RTC
9	018506-19NS	Blue Button Index, Press-in
10	B-WH6C-NS	6" Wrist Action Handle, Blue Index & Screw
11	001019-45	Coupling Nut Washer
12	00XX	1/2" NPT Adjustable Inlet Flange w/ Screw Driver Stop
13	163A	Built In Service Stop
14	012442-40NS	Quarter-Turn Eterna Cartridge w/ Spring Check, LTC



Product Specifications:
 Adjustable Wall Mount Service Sink Faucet, Quarter-Turn Eterna Cartridges w/ Spring Checks, Polished Chrome Finish, 6" Wrist Action Handles, Lower Support Rod, 1/2" NPT Adjustable Inlets & Plain End Outlet

Product Compliance:
 ASME A112.18.1 / CSA B125.1
 NSF 61 - Section 9
 NSF 372 (Low Lead Content)
 ANSI A117.1 (ADA)