



T&S BRASS AND BRONZE WORKS, INC.

2 Saddleback Cove / P.O. Box 1088
Travelers Rest, SC 29690

Model No.

B-0612

Item No.

Travelers Rest, SC: 800-476-4103 • Simi Valley, CA: 800-423-0150 • Fax: 864-834-3518 • www.tsbrass.com

This Space for Architect/Engineer Approval

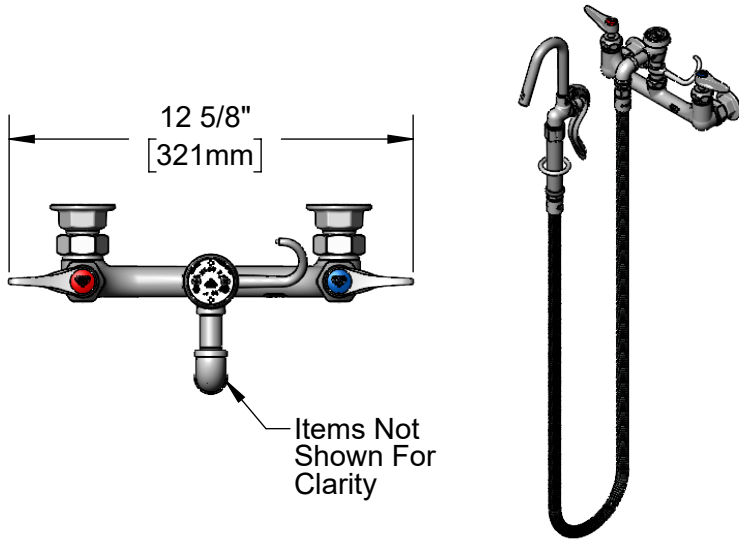
Job Name _____ Date _____

Model Specified _____ Quantity _____

Customer/Wholesaler _____

Contractor _____

Architect/Engineer _____



B-0968

3/8" NPT
Vacuum Breaker

EasyInstall
Lock Nut &
Bushing

Finger
Hook

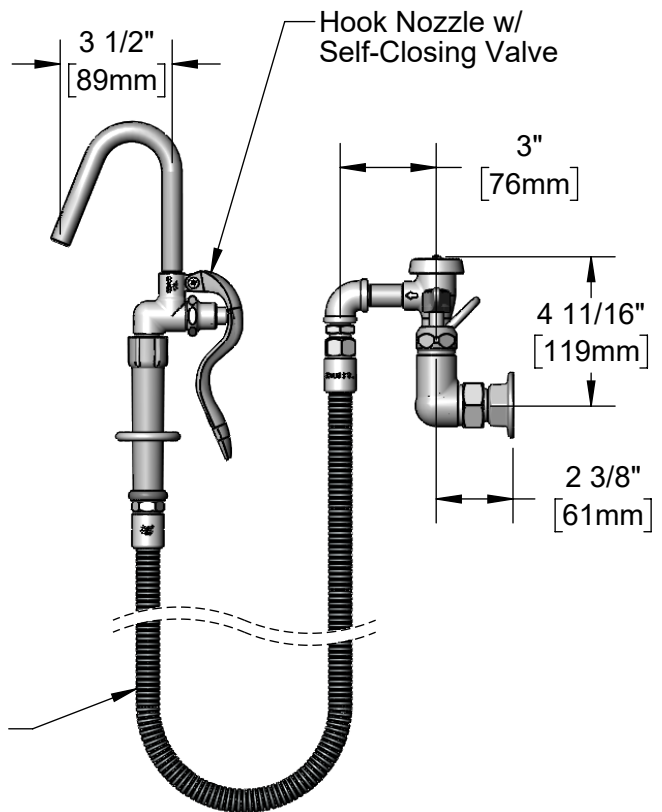
Quarter-Turn Cerama
Cartridges w/ Check
Valves & Lever Handles
w/ Color Coded Indexes

3 11/16"
[93mm]

8"
[203mm]
Adjustable From
7 3/4" to 8 1/4"
[197mm to 210mm]

Ø 2" [51mm]
Flanges w/
1/2" NPT
Female Inlets

68" Flexible
Stainless Steel Hose



Product Specifications:

Kettle & Pot Filler Wall Mount Mixing Faucet, Quarter-Turn Cerama Cartridges w/ Check Valves, Lever Handles, 3/8" NPT Vacuum Breaker, 68" Flexible Stainless Steel Hose, Spray Valve w/ Hook Nozzle & 1/2" NPT Female Inlets

Product Compliance:

ASME A112.18.1 / CSA B125.1
NSF 61 - Section 9
NSF 372 (Low Lead Content)
ASSE 1001 (VB)
2019 DOE PRSV Non-Compliant



T&S BRASS AND BRONZE WORKS, INC.

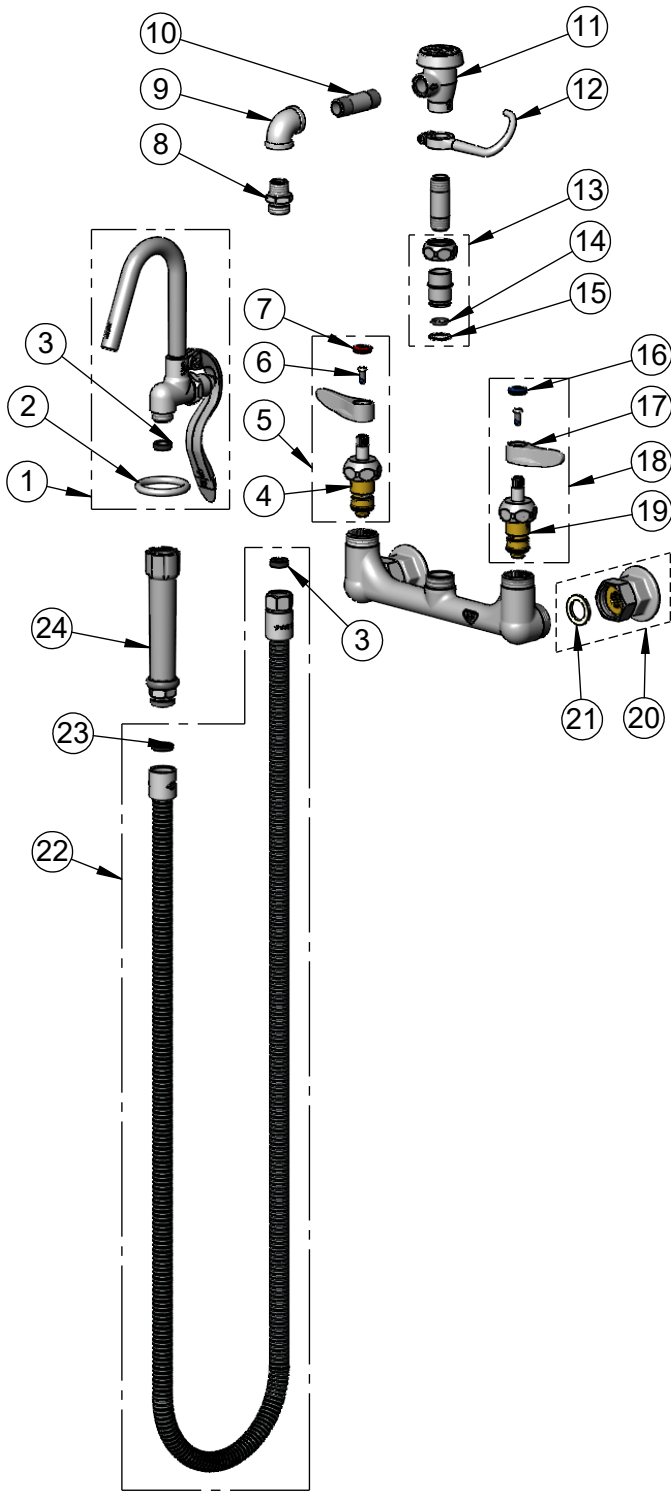
2 Saddleback Cove / P.O. Box 1088
Travelers Rest, SC 29690

Model No.

B-0612

Item No.

Travelers Rest, SC: 800-476-4103 • Simi Valley, CA: 800-423-0150 • Fax: 864-834-3518 • www.tsbrass.com



ITEM NO.	SALES NO.	DESCRIPTION
1	002851-40	Hook Nozzle Spray Valve
2	000907-45	Spray Valve Hold Down Ring
3	010476-45	#27 Washer
4	012394-25NS	Quarter-Turn Cerama Cartridge w/ Check Valve, RTC
5	012446-25NS	Quarter-Turn Cerama Cartridge w/ Check Valve, Handle, Red Index & Screw, RTC
6	000925-45	Lab Handle Screw
7	001193-19NS	Red Button Index, Press-in
8	053A	Adapter, 3/8" NPT x 3/4-14UN
9	001355-40	Elbow, 3/8 NPT
10	000357-40	Nipple, 3/8" NPT x 2"
11	B-0968	3/8" NPT Vacuum Breaker
12	004R	Finger Hook
13	EZ-K	EasyInstall Kit
14	001065-45	O-Ring, Size 2-112
15	014200-45	Star Washer, Anti-Rotation
16	018506-19NS	Blue Button Index, Press-in
17	001638-45NS	Lever Handle (New Style)
18	012447-25NS	Quarter-Turn Cerama Cartridge w/ Check Valve, Handle, Blue Index & Screw, LTC
19	012395-25NS	Quarter-Turn Cerama Cartridge w/ Check Valve, LTC
20	00AA	1/2" NPT Female Eccentric Flange
21	001019-45	Coupling Nut Washer
22	B-0068-H2A	68" Flexible Stainless Steel Hose, Less Handle
23	001014-45	Washer, Hose Barrel
24	002987-40	Grip Handle

Product Specifications:

Kettle & Pot Filler Wall Mount Mixing Faucet, Quarter-Turn Cerama Cartridges w/ Check Valves, Lever Handles, 3/8" NPT Vacuum Breaker, 68" Flexible Stainless Steel Hose, Spray Valve w/ Hook Nozzle & 1/2" NPT Female Inlets

Product Compliance:

ASME A112.18.1 / CSA B125.1
NSF 61 - Section 9
NSF 372 (Low Lead Content)
ASSE 1001 (VB)
2019 DOE PRSV Non-Compliant