



T&S BRASS AND BRONZE WORKS, INC.
 2 Saddleback Cove / P.O. Box 1088
 Travelers Rest, SC 29690

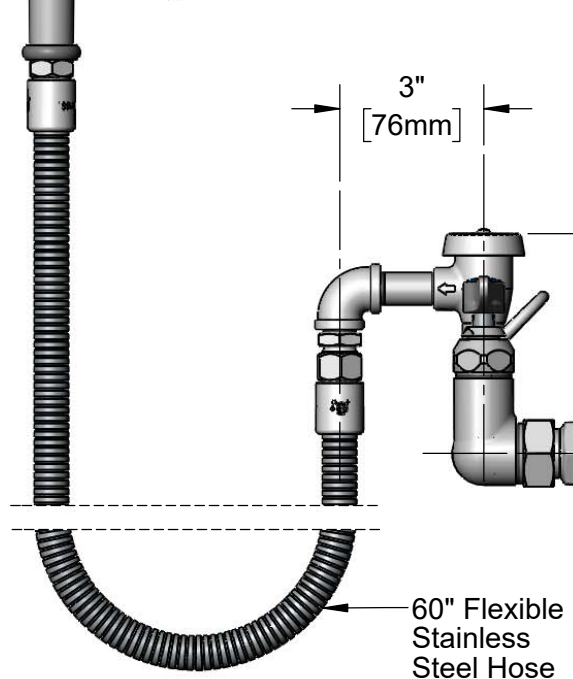
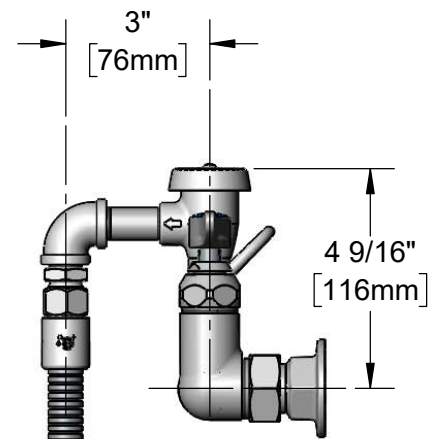
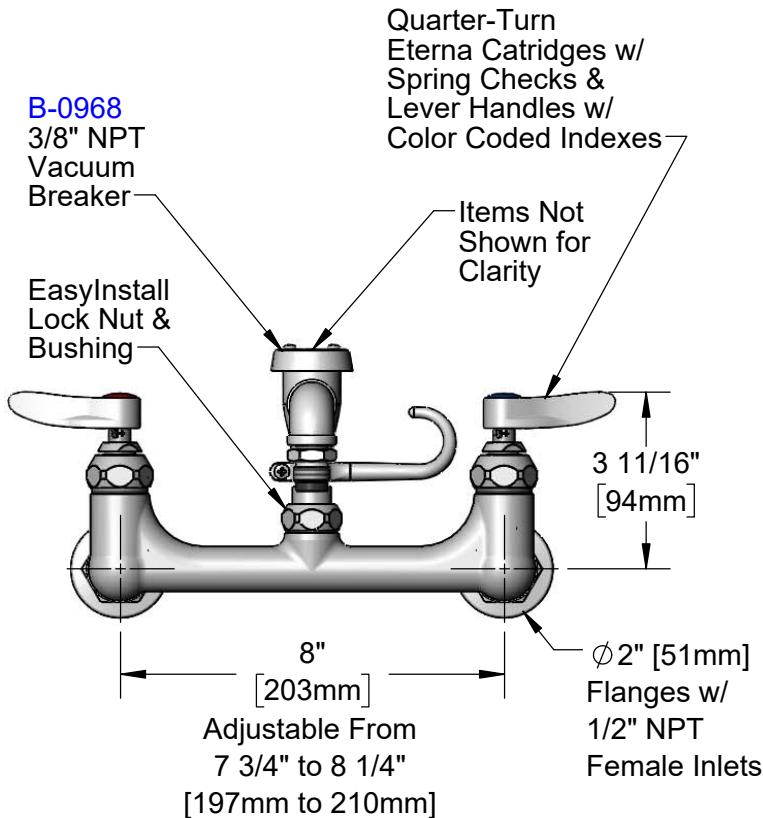
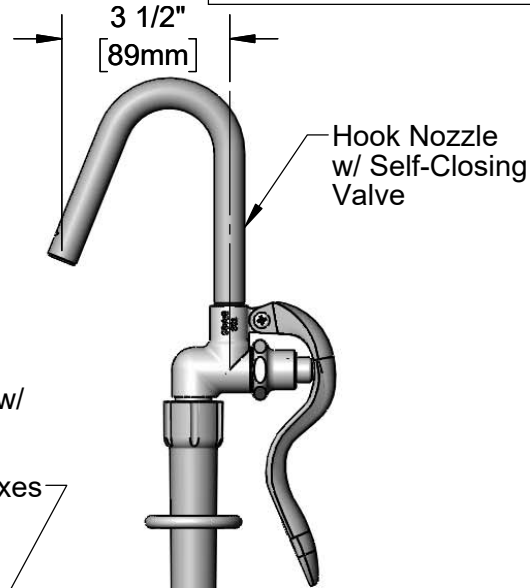
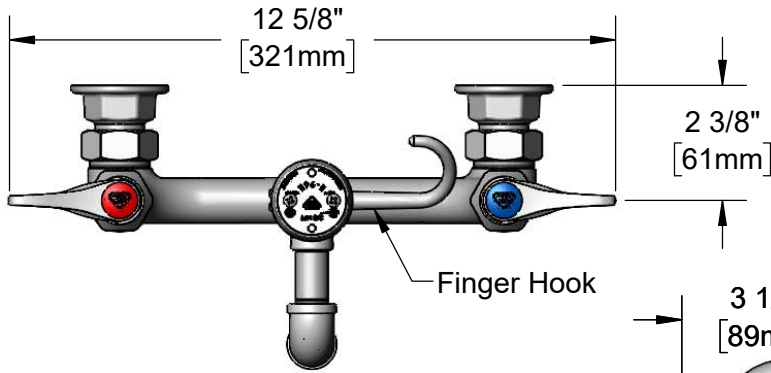
Model No.
B-0610-60H

Item No.

Travelers Rest, SC: 800-476-4103 • Simi Valley, CA: 800-423-0150 • Fax: 864-834-3518 • www.tsbrass.com

This Space for Architect/Engineer Approval

Job Name _____ Date _____
 Model Specified _____ Quantity _____
 Customer/Wholesaler _____
 Contractor _____
 Architect/Engineer _____



Product Specifications:

Kettle & Pot Filler Wall Mount Mixing Faucet, Quarter-Turn Eterna Cartridges w/ Spring Checks, Lever Handles, 3/8" NPT Vacuum Breaker, 60" Flexible Stainless Steel Hose, Spray Valve w/ Hook Nozzle & 1/2" NPT Female Inlets

Product Compliance:

ASME A112.18.1 / CSA B125.1
 NSF 61 - Section 9
 NSF 372 (Low Lead Content)
 ASSE 1001 (VB)
 2019 DOE PRSV Non-Compliant



T&S BRASS AND BRONZE WORKS, INC.

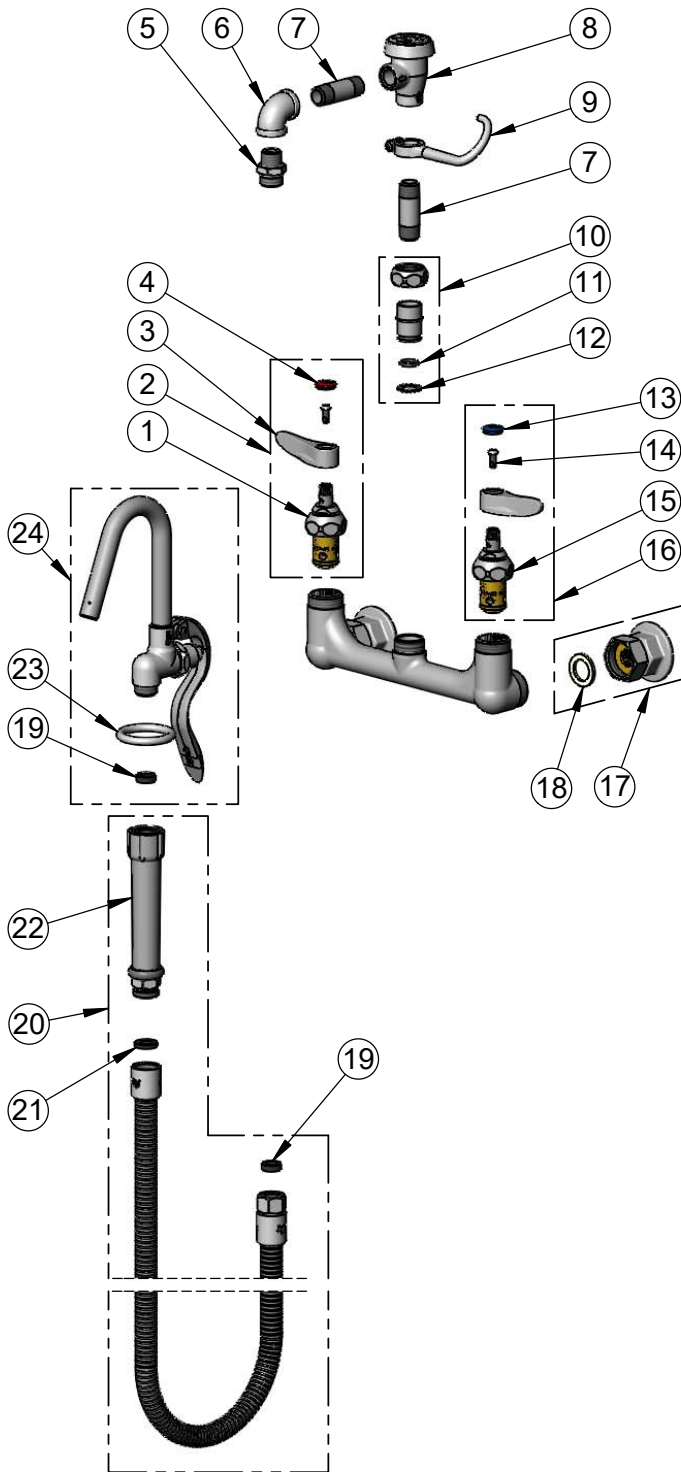
2 Saddleback Cove / P.O. Box 1088
Travelers Rest, SC 29690

Model No.

B-0610-60H

Item No.

Travelers Rest, SC: 800-476-4103 • Simi Valley, CA: 800-423-0150 • Fax: 864-834-3518 • www.tsbrass.com



| ITEM NO. | SALES NO. | DESCRIPTION |
|----------|-------------|--|
| 1 | 012443-40NS | Quarter-Turn Eterna Cartridge w/ Spring Check, RTC |
| 2 | 002712-40NS | Quarter-Turn Eterna Cartridge w/ Spring Check, Handle, Red Index & Screw, RTC |
| 3 | 001638-45NS | Lever Handle (New Style) |
| 4 | 001193-19NS | Red Button Index, Press-in |
| 5 | 053A | Adapter, 3/8" NPT x 3/4-14UN |
| 6 | 001355-40 | Elbow, 3/8 NPT |
| 7 | 000357-40 | Nipple, 3/8" NPT x 2" |
| 8 | B-0968 | 3/8" NPT Vacuum Breaker |
| 9 | 004R | Finger Hook |
| 10 | EZ-K | EasyInstall Kit |
| 11 | 001065-45 | O-Ring |
| 12 | 014200-45 | Star Washer, Anti-Rotation |
| 13 | 018506-19NS | Blue Button Index, Press-in |
| 14 | 000925-45 | Lab Handle Screw |
| 15 | 012442-40NS | Quarter-Turn Eterna Cartridge w/ Spring Check, LTC |
| 16 | 002711-40NS | Quarter-Turn Eterna Cartridge w/ Spring Check, Handle, Blue Index & Screw, LTC |
| 17 | 00AA | 1/2" NPT Female Eccentric Flange |
| 18 | 001019-45 | Coupling Nut Washer |
| 19 | 010476-45 | #27 Washer |
| 20 | B-0060-H | 60" Flexible Stainless Steel Hose w/ Handle |
| 21 | 001014-45 | Washer, B-0100 Hose Barrel |
| 22 | 002987-40 | Grip Handle |
| 23 | 000907-45 | Spray Valve Hold Down Ring |
| 24 | 002851-40 | Hook Nozzle & Spray Valve |

Product Specifications:

Kettle & Pot Filler Wall Mount Mixing Faucet, Quarter-Turn Eterna Cartridges w/ Spring Checks, Lever Handles, 3/8" NPT Vacuum Breaker, 60" Flexible Stainless Steel Hose, Spray Valve w/ Hook Nozzle & 1/2" NPT Female Inlets

Product Compliance:

ASME A112.18.1 / CSA B125.1
NSF 61 - Section 9
NSF 372 (Low Lead Content)
ASSE 1001 (VB)
2019 DOE PRSV Non-Compliant