

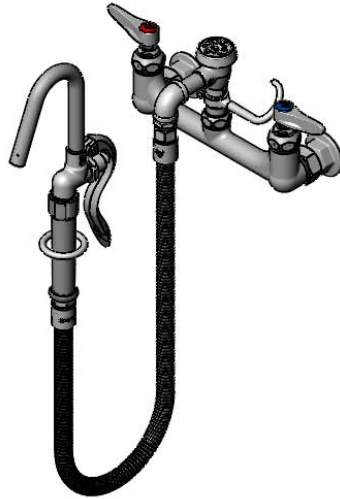


**T&S BRASS AND BRONZE WORKS, INC.**  
 2 Saddleback Cove / P.O. Box 1088  
 Travelers Rest, SC 29690

Model No.  
**B-0610-36H**

Item No.

Travelers Rest, SC: 800-476-4103 • Simi Valley, CA: 800-423-0150 • Fax: 864-834-3518 • www.tsbrass.com



This Space for Architect/Engineer Approval

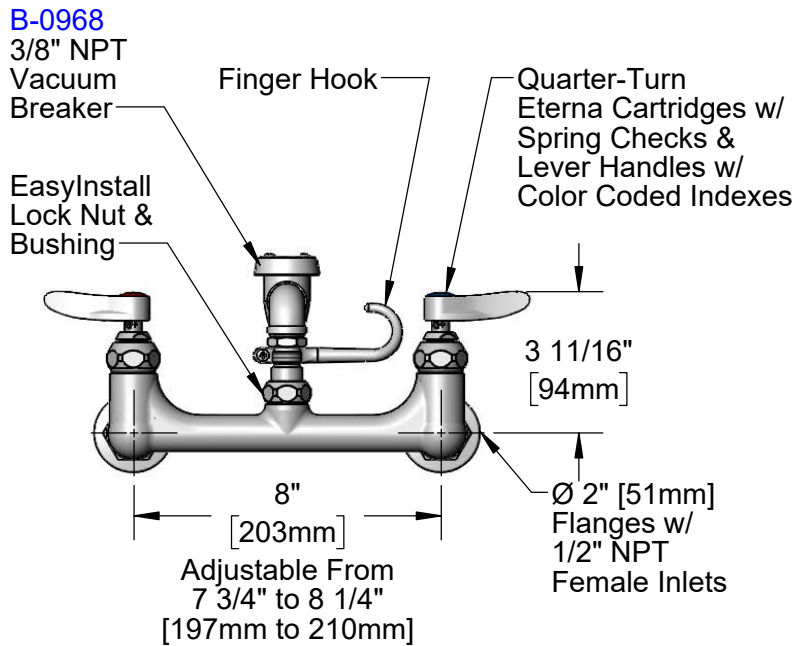
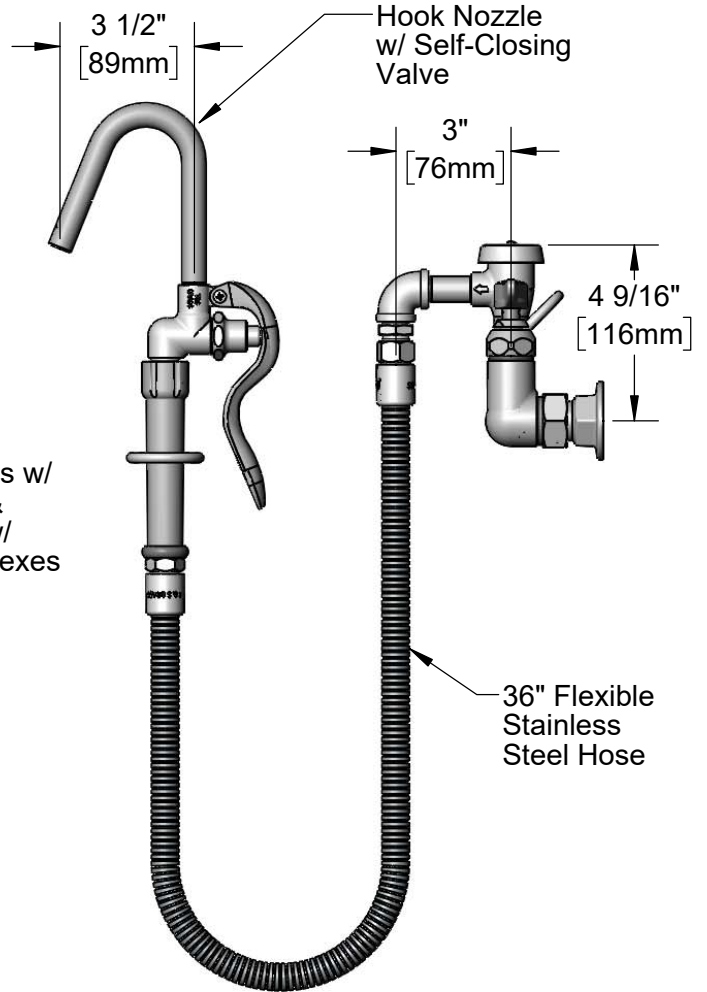
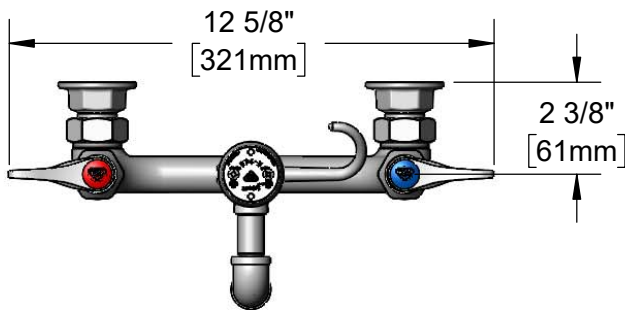
Job Name \_\_\_\_\_ Date \_\_\_\_\_

Model Specified \_\_\_\_\_ Quantity \_\_\_\_\_

Customer/Wholesaler \_\_\_\_\_

Contractor \_\_\_\_\_

Architect/Engineer \_\_\_\_\_



**Product Specifications:**

Kettle & Pot Filler Wall Mount Mixing Faucet, Quarter-Turn Eterna Cartridges w/ Spring Checks, Lever Handles, 3/8" NPT Vacuum Breaker, 36" Flexible Stainless Steel Hose, Spray Valve w/ Hook Nozzle & 1/2" NPT Female Inlets

**Product Compliance:**

ASME A112.18.1 / CSA B125.1  
 NSF 61 - Section 9  
 NSF 372 (Low Lead Content)  
 ASSE 1001 (VB)  
 2019 DOE PRSV Non-Compliant



# T&S BRASS AND BRONZE WORKS, INC.

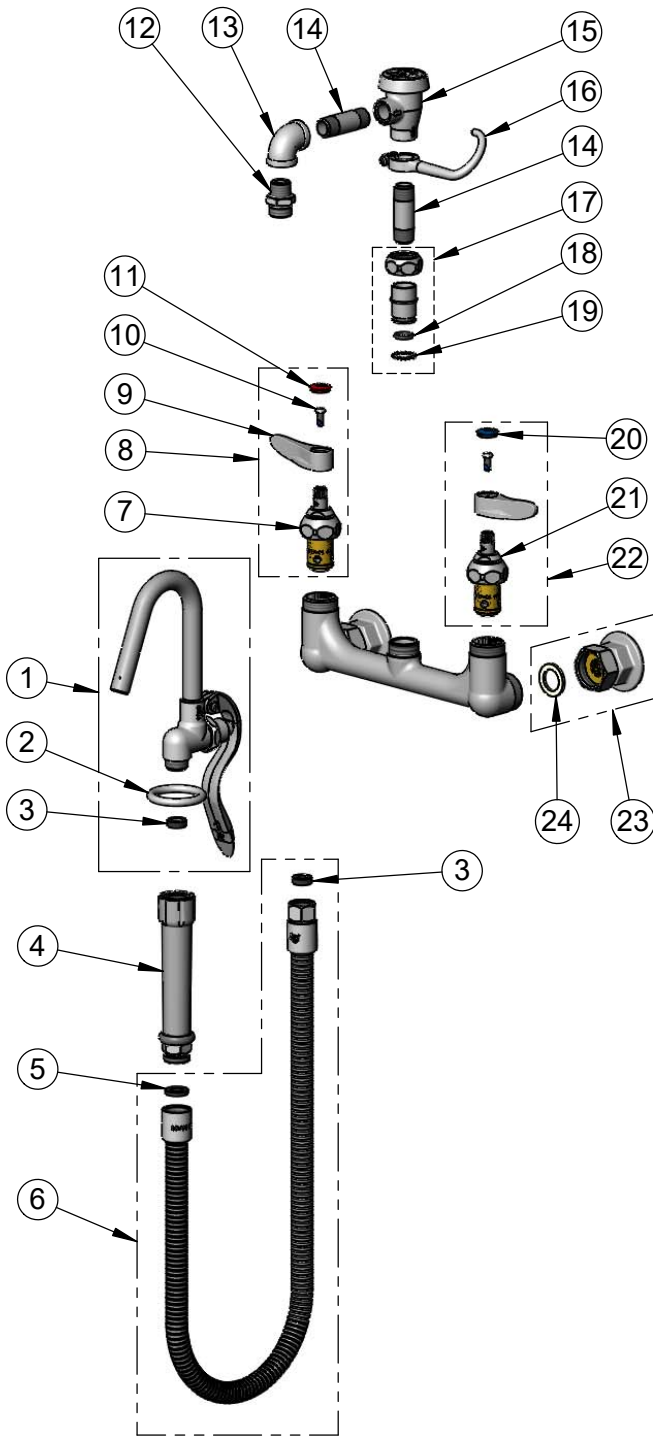
2 Saddleback Cove / P.O. Box 1088  
Travelers Rest, SC 29690

Model No.

**B-0610-36H**

Item No.

Travelers Rest, SC: 800-476-4103 • Simi Valley, CA: 800-423-0150 • Fax: 864-834-3518 • www.tsbrass.com



| ITEM NO. | SALES NO.   | DESCRIPTION  |
|----------|-------------|--|
| 1        | 002851-40   | Hook Nozzle & Spray Valve  |
| 2        | 000907-45   | Spray Valve Hold Down Ring   |
| 3        | 010476-45   | #27 Washer   |
| 4        | 002987-40   | Grip Handle  |
| 5        | 001014-45   | Washer, B-0100 Hose Barrel   |
| 6        | B-0036-H2A  | 36" Flexible Stainless Steel Hose, Less Handle                                 |
| 7        | 012443-40NS | Quarter-Turn Eterna Cartridge w/ Spring Check, RTC                             |
| 8        | 002712-40NS | Quarter-Turn Eterna Cartridge w/ Spring Check, Handle, Red Index & Screw, RTC  |
| 9        | 001638-45NS | Lever Handle (New Style)   |
| 10       | 000925-45   | Lab Handle Screw   |
| 11       | 001193-19NS | Red Button Index, Press-in   |
| 12       | 053A        | Adapter, 3/8" NPT x 3/4-14UN   |
| 13       | 001355-40   | Elbow, 3/8 NPT   |
| 14       | 000357-40   | Nipple, 3/8" NPT x 2"  |
| 15       | B-0968      | 3/8" NPT Vacuum Breaker  |
| 16       | 004R        | Finger Hook  |
| 17       | EZ-K        | EasyInstall Kit  |
| 18       | 001065-45   | O-Ring   |
| 19       | 014200-45   | Star Washer, Anti-Rotation   |
| 20       | 018506-19NS | Blue Button Index, Press-in  |
| 21       | 012442-40NS | Quarter-Turn Eterna Cartridge w/ Spring Check, LTC                             |
| 22       | 002711-40NS | Quarter-Turn Eterna Cartridge w/ Spring Check, Handle, Blue Index & Screw, LTC |
| 23       | 00AA        | 1/2" NPT Female Eccentric Flange   |
| 24       | 001019-45   | Coupling Nut Washer  |

**Product Specifications:**

Kettle & Pot Filler Wall Mount Mixing Faucet, Quarter-Turn Eterna Cartridges w/ Spring Checks, Lever Handles, 3/8" NPT Vacuum Breaker, 36" Flexible Stainless Steel Hose, Spray Valve w/ Hook Nozzle & 1/2" NPT Female Inlets

**Product Compliance:**

ASME A112.18.1 / CSA B125.1  
NSF 61 - Section 9  
NSF 372 (Low Lead Content)  
ASSE 1001 (VB)  
2019 DOE PRSV Non-Compliant