



**T&S BRASS AND BRONZE WORKS, INC.**  
 2 Saddleback Cove / P.O. Box 1088  
 Travelers Rest, SC 29690

Model No.  
**B-0598-CR**

Item No.

Travelers Rest, SC: 800-476-4103 • Simi Valley, CA: 800-423-0150 • Fax: 864-834-3518 • www.tsbrass.com

This Space for Architect/Engineer Approval

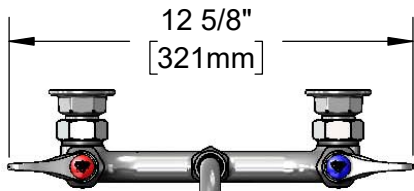
Job Name \_\_\_\_\_ Date \_\_\_\_\_

Model Specified \_\_\_\_\_ Quantity \_\_\_\_\_

Customer/Wholesaler \_\_\_\_\_

Contractor \_\_\_\_\_

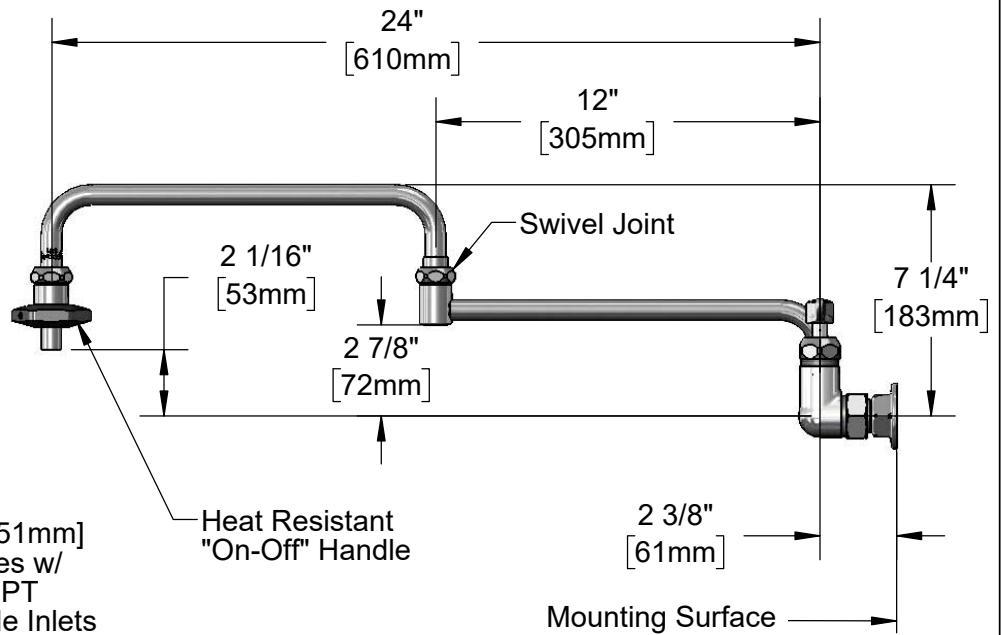
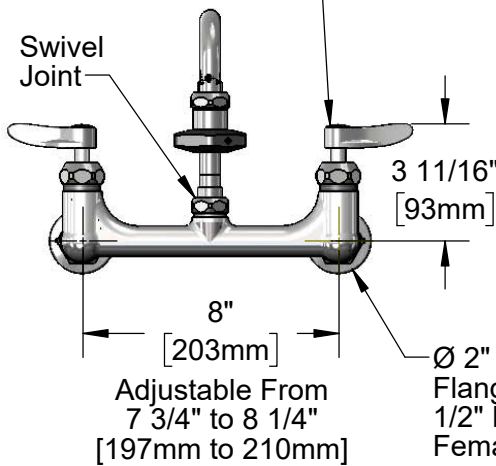
Architect/Engineer \_\_\_\_\_



24" Double Joint Swing Nozzle  
 w/ Heat Resistant Handle.  
 Converts to Rigid w/ 014200-45  
 Lock Washer (Included).



Quarter-Turn Cerama  
 Cartridges w/ Check  
 Valves & Lever Handles  
 w/ Color Coded Indexes



Product Specifications:  
 8" Wall Mount Pot Filler Mixing Faucet, Quarter-Turn Cerama Cartridges w/  
 Check Valves, Lever Handles, 24" Double Joint Swing Nozzle, Heat Resistant  
 Handle & 1/2" NPT Female Inlets

Product Compliance:  
 ASME A112.18.1 / CSA B125.1  
 NSF 61 - Section 9  
 NSF 372 (Low Lead Content)



# T&S BRASS AND BRONZE WORKS, INC.

2 Saddleback Cove / P.O. Box 1088  
Travelers Rest, SC 29690

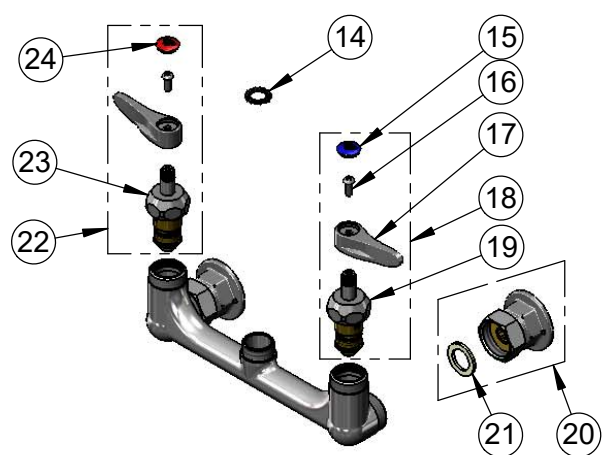
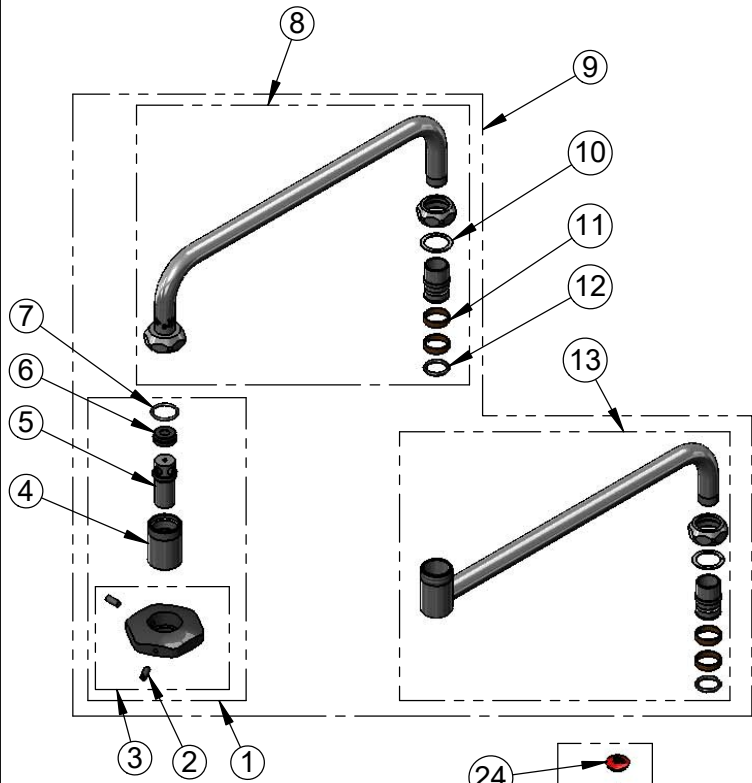
Model No.

**B-0598-CR**

Item No.

Travelers Rest, SC: 800-476-4103 • Simi Valley, CA: 800-423-0150 • Fax: 864-834-3518 • www.tsbrass.com

ITEM NO.	SALES NO.	DESCRIPTION
1	035A	Outlet
2	000936-45	Handle Set Screw
3	001126-20	Handle w/ (2) Set Screws
4	000587-25	Spout Body
5	001498-25	Spout
6	001089-45	Seal
7	003426-45	O-Ring
8	002869-40	12" Front Section
9	002872-40	24" Double Joint Nozzle
10	009538-45	Swivel Washer
11	011429-45	Swivel Sleeves (2)
12	001074-45	O-Ring
13	002871-40	12" Back Section
14	014200-45	Star Washer, Anti-Rotation
15	018506-19NS	Blue Button Index, Press-in
16	000925-45	Lab Handle Screw
17	001638-45NS	Lever Handle (New Style)
18	012447-25NS	Quarter-Turn Cerama Cartridge w/ Check Valve, Handle, Blue Index & Screw, LTC
19	012395-25NS	Quarter-Turn Cerama Cartridge w/ Check Valve, LTC
20	00AA	1/2" NPT Female Eccentric Flange
21	001019-45	Coupling Nut Washer
22	012446-25NS	Quarter-Turn Cerama Cartridge w/ Check Valve, Handle, Red Index & Screw, RTC
23	012394-25NS	Quarter-Turn Cerama Cartridge w/ Check Valve, RTC
24	001193-19NS	Red Button Index, Press-in



**Product Specifications:**  
8" Wall Mount Pot Filler Mixing Faucet, Quarter-Turn Cerama Cartridges w/ Check Valves, Lever Handles, 24" Double Joint Swing Nozzle, Heat Resistant Handle & 1/2" NPT Female Inlets

**Product Compliance:**  
ASME A112.18.1 / CSA B125.1  
NSF 61 - Section 9  
NSF 372 (Low Lead Content)