



T&S BRASS AND BRONZE WORKS, INC.

2 Saddleback Cove / P.O. Box 1088
Travelers Rest, SC 29690

Model No.

B-0597-EE

Item No.

Travelers Rest, SC: 800-476-4103 • Simi Valley, CA: 800-423-0150 • Fax: 864-834-3518 • www.tsbrass.com

This Space for Architect/Engineer Approval

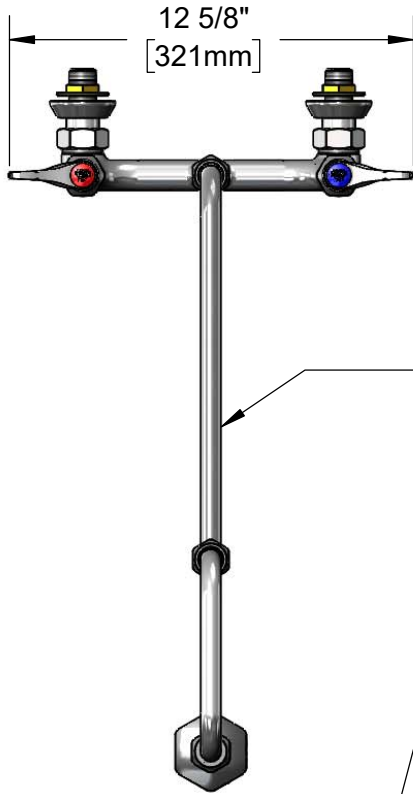
Job Name _____ Date _____

Model Specified _____ Quantity _____

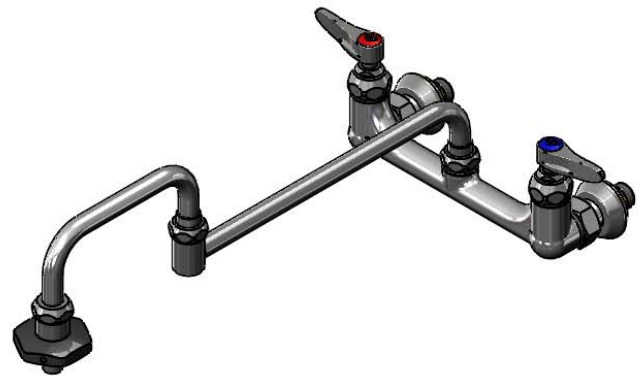
Customer/Wholesaler _____

Contractor _____

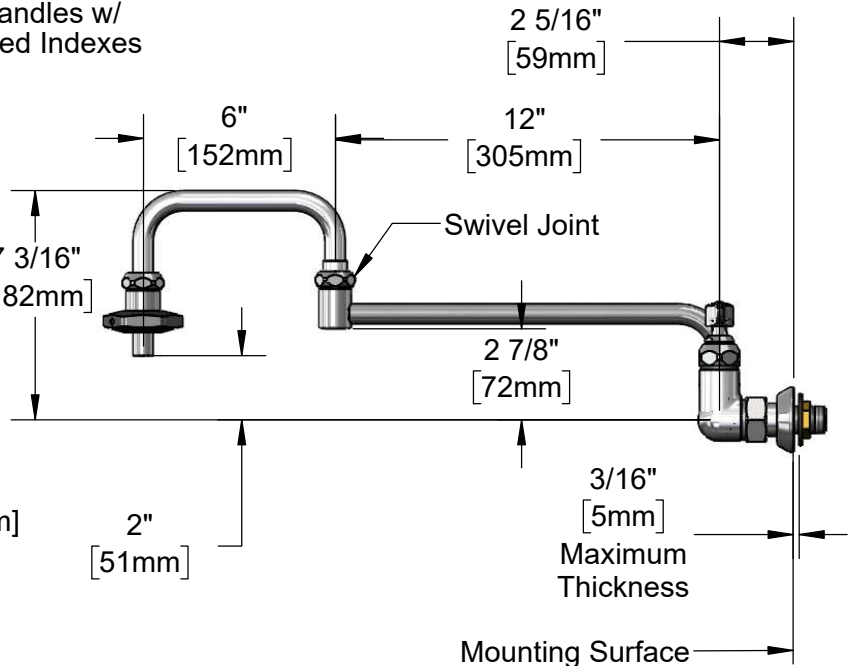
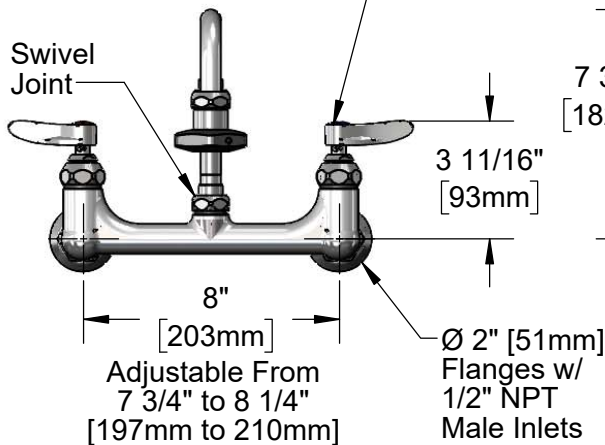
Architect/Engineer _____



18" Double Joint Swing Nozzle w/ Heat Resistant "On-Off" Handle Converts to Rigid w/ [014200-45](#) Lock Washer (Included).



Quarter-Turn Eterna Cartridges w/ Spring Checks & Lever Handles w/ Color Coded Indexes



Rough-In Requirement:
(2) \varnothing 1" [25mm] Mounting Holes

Product Specifications:

8" Pot Filler Mixing Faucet, Quarter-Turn Eterna Cartridges w/ Spring Checks, Lever Handles, 18" Double Joint Swing Nozzle, Heat Resistant Handle & 1/2" NPT Male Inlets

Product Compliance:

ASME A112.18.1 / CSA B125.1
NSF 61 - Section 9
NSF 372 (Low Lead Content)



T&S BRASS AND BRONZE WORKS, INC.
 2 Saddleback Cove / P.O. Box 1088
 Travelers Rest, SC 29690

Model No.
B-0597-EE

Item No.

Travelers Rest, SC: 800-476-4103 • Simi Valley, CA: 800-423-0150 • Fax: 864-834-3518 • www.tsbrass.com

ITEM NO.	SALES NO.	DESCRIPTION
1	000936-45	Handle Set Screw
2	000587-25	Spout Body
3	001498-25	Spout
4	001089-45	Seal
5	003426-45	O-Ring
6	002848-40	18" Double Joint Nozzle
7	002870-40	6" Front Section
8	009538-45	Swivel Washer
9	001074-45	O-Ring
10	011429-45	Swivel Sleeves (2)
11	002871-40	12" Back Section
12	012443-40NS	Quarter-Turn Eterna Cartridge w/ Spring Check, RTC
13	018506-19NS	Blue Button Index, Press-in
14	000925-45	Lab Handle Screw
15	002711-40NS	Quarter-Turn Eterna Cartridge w/ Spring Check, Handle, Blue Index & Screw, LTC
16	012442-40NS	Quarter-Turn Eterna Cartridge w/ Spring Check, LTC
17	001019-45	Coupling Nut Washer
18	00EE	1/2" NPT Male Inlet w/ Adjustable Flange
19	000999-45	Brass Lock Washer
20	002954-45	Shank Lock Nut
21	002712-40NS	Quarter-Turn Eterna Cartridge w/ Spring Check, Handle, Red Index & Screw, RTC
22	001638-45NS	Lever Handle (New Style)
23	001126-20	Handle w/ (2) Set Screws
24	035A	Outlet
25	001193-19NS	Red Button Index, Press-in
26	014200-45	Star Washer, Anti-Rotation

Product Specifications:
 8" Pot Filler Mixing Faucet, Quarter-Turn Eterna Cartridges w/ Spring Checks, Lever Handles, 18" Double Joint Swing Nozzle, Heat Resistant Handle & 1/2" NPT Male Inlets

Product Compliance:
 ASME A112.18.1 / CSA B125.1
 NSF 61 - Section 9
 NSF 372 (Low Lead Content)