



T&S BRASS AND BRONZE WORKS, INC.
 2 Saddleback Cove / P.O. Box 1088
 Travelers Rest, SC 29690

Model No.

B-0594-CR

Item No.

Travelers Rest, SC: 800-476-4103 • Simi Valley, CA: 800-423-0150 • Fax: 864-834-3518 • www.tsbrass.com

This Space for Architect/Engineer Approval

Job Name _____ Date _____

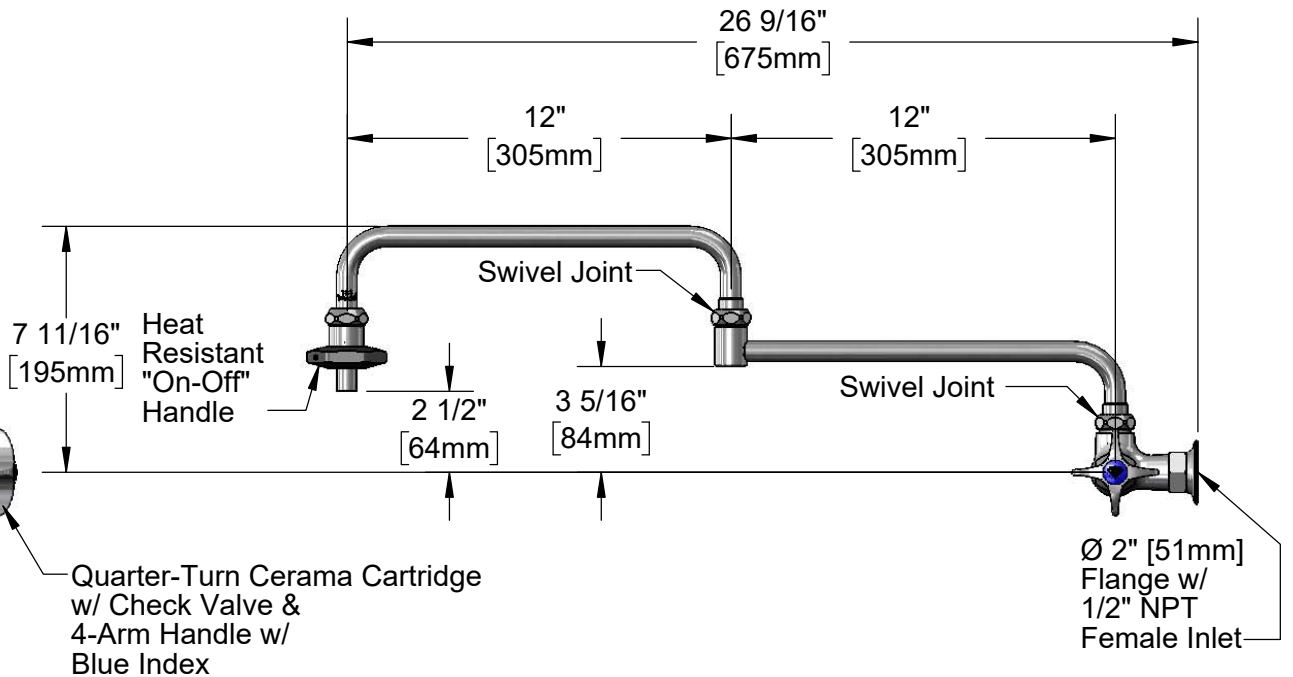
Model Specified _____ Quantity _____

Customer/Wholesaler _____

Contractor _____

Architect/Engineer _____

3 1/8"
[80mm]



Product Specifications:

Pot Filler Faucet w/ Cerama Cartridge w/ Check Valve, 4-Arm Handle & Blue (CW) Index, 24" Double Joint Swing Nozzle, Heat Resistant Handle & 1/2" NPT Female Inlet

Product Compliance:

ASME A112.18.1 / CSA B125.1
 NSF 61 - Section 9
 NSF 372 (Low Lead Content)



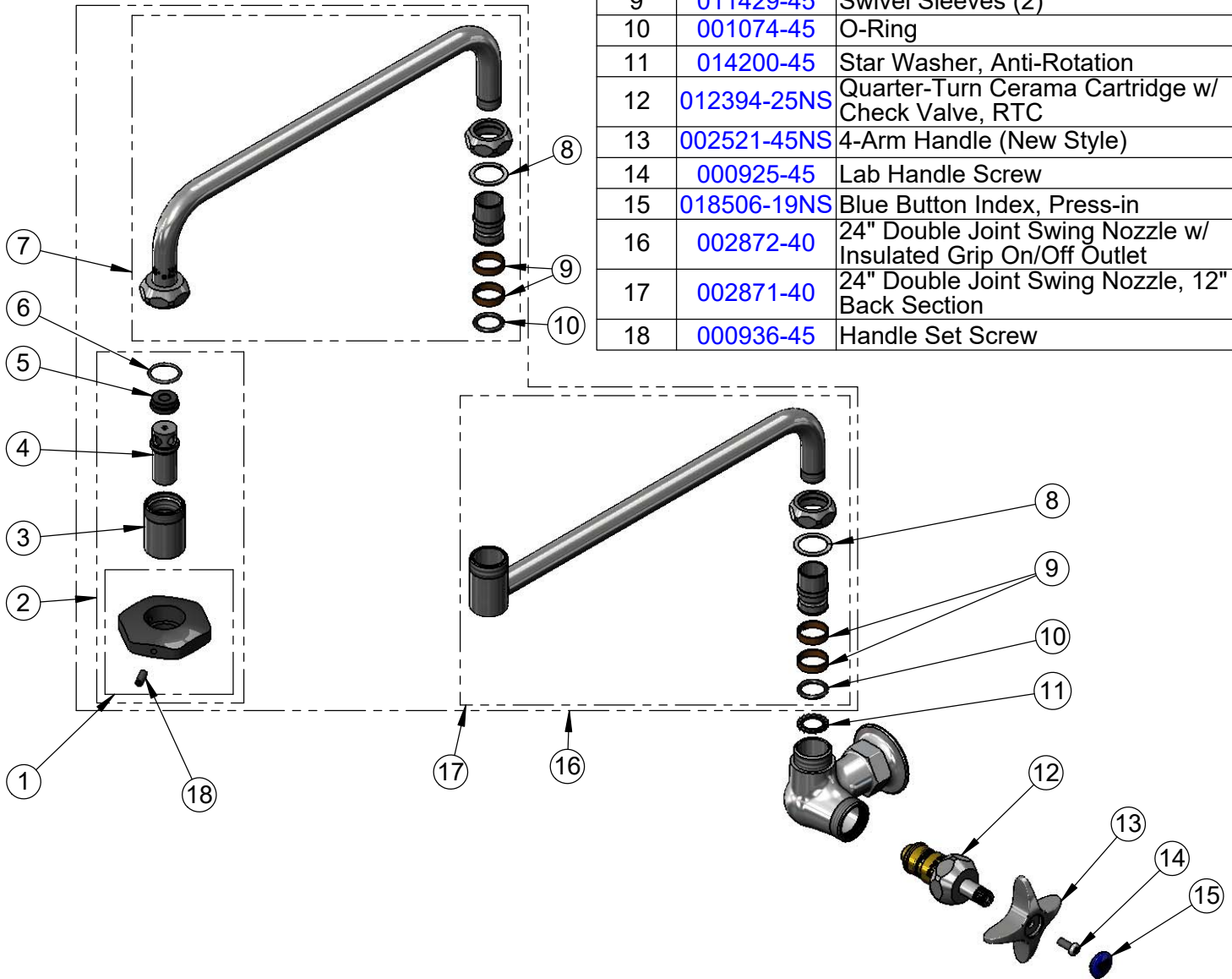
T&S BRASS AND BRONZE WORKS, INC.
 2 Saddleback Cove / P.O. Box 1088
 Travelers Rest, SC 29690

Model No.
B-0594-CR

Item No.

Travelers Rest, SC: 800-476-4103 • Simi Valley, CA: 800-423-0150 • Fax: 864-834-3518 • www.tsbrass.com

| ITEM NO. | SALES NO. | DESCRIPTION |
|----------|-------------|---|
| 1 | 001126-20 | Handle w/ (2) Set Screws |
| 2 | 035A | Outlet |
| 3 | 000587-25 | Spout Body |
| 4 | 001498-25 | Spout |
| 5 | 001089-45 | Seal |
| 6 | 003426-45 | O-Ring |
| 7 | 002869-40 | 24" Double Joint Swing Nozzle, 12" Front Section |
| 8 | 009538-45 | Swivel Washer |
| 9 | 011429-45 | Swivel Sleeves (2) |
| 10 | 001074-45 | O-Ring |
| 11 | 014200-45 | Star Washer, Anti-Rotation |
| 12 | 012394-25NS | Quarter-Turn Cerama Cartridge w/ Check Valve, RTC |
| 13 | 002521-45NS | 4-Arm Handle (New Style) |
| 14 | 000925-45 | Lab Handle Screw |
| 15 | 018506-19NS | Blue Button Index, Press-in |
| 16 | 002872-40 | 24" Double Joint Swing Nozzle w/ Insulated Grip On/Off Outlet |
| 17 | 002871-40 | 24" Double Joint Swing Nozzle, 12" Back Section |
| 18 | 000936-45 | Handle Set Screw |



Product Specifications:
 Pot Filler Faucet w/ Cerama Cartridge w/ Check Valve, 4-Arm Handle & Blue (CW) Index, 24" Double Joint Swing Nozzle, Heat Resistant Handle & 1/2" NPT Female Inlet

Product Compliance:
 ASME A112.18.1 / CSA B125.1
 NSF 61 - Section 9
 NSF 372 (Low Lead Content)