



T&S BRASS AND BRONZE WORKS, INC.

2 Saddleback Cove / P.O. Box 1088
Travelers Rest, SC 29690

Model No.

B-0545-F05

Item No.

Travelers Rest, SC: 800-476-4103 • Simi Valley, CA: 800-423-0150 • Fax: 864-834-3518 • www.tsbrass.com

This Space for Architect/Engineer Approval

Job Name _____ Date _____

Model Specified _____ Quantity _____

Customer/Wholesaler _____

Contractor _____

Architect/Engineer _____

Ø 2" [51mm]
Swivel Deck Flange

133XP-F05
Swivel Gooseneck w/
Plain End Outlet & 0.5
GPM Flow Control
Rigid Conversion Requires
014200-45 Lock Washer
(Included).

5 11/16"
[144mm]

Flow Disc in
Swivel Piece.
Specify Flow Desired
From Chart.

1 1/8"
[29mm]
Maximum
Thickness

1 7/8"
[47mm]

6 5/8"
[168mm]

10 5/8"
[270mm]

Mounting
Surface

150A
Tailpiece & Nut
Furnished for
Optional 1/4" NPT
Connection

Rough-In Requirement:

Ø 1" [25mm] Mounting Hole

Product Specifications:

Swivel/Rigid Deck Mount Dummy Gooseneck w/ Plain End Outlet & 0.5 GPM Flow Disc

Product Compliance:

ASME A112.18.1 / CSA B125.1
NSF 61 - Section 9
NSF 372 (Low Lead Content)



T&S BRASS AND BRONZE WORKS, INC.

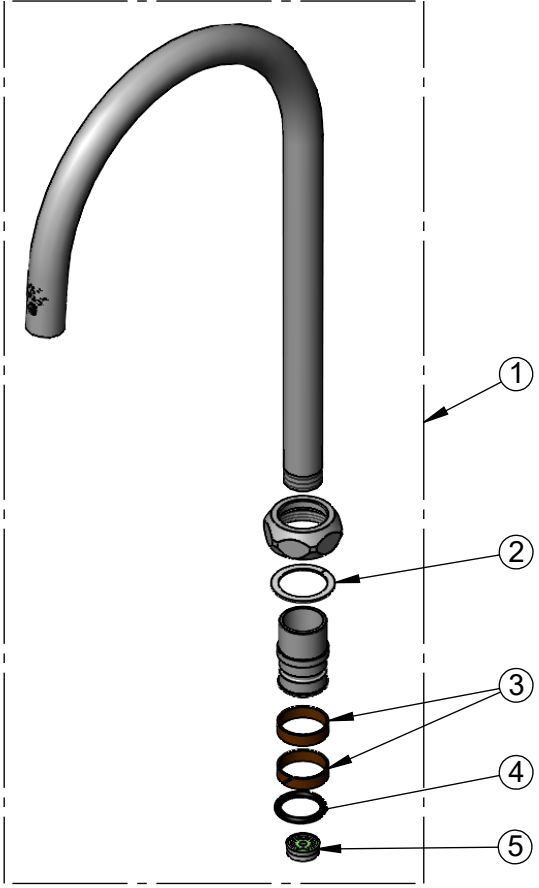
2 Saddleback Cove / P.O. Box 1088
Travelers Rest, SC 29690

Model No.

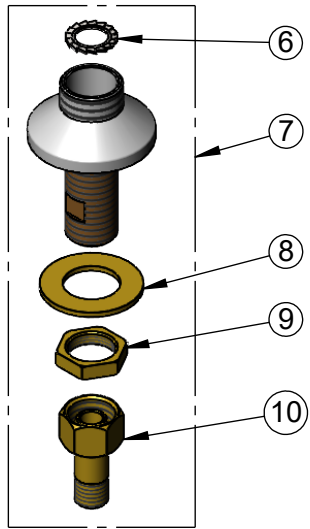
B-0545-F05

Item No.

Travelers Rest, SC: 800-476-4103 • Simi Valley, CA: 800-423-0150 • Fax: 864-834-3518 • www.tsbrass.com



ITEM NO.	SALES NO.	DESCRIPTION
1	133XP-F05	5 11/16" Plain End Laminar Swivel Gooseneck w/ 0.5 GPM Flow Disc
2	009538-45	Swivel Washer
3	011429-45	Swivel Sleeves (2)
4	001074-45	O-Ring
5	FD05	Flow Disc, 0.5 GPM [1.9 L/min.]
6	014200-45	Star Washer, Anti-Rotation
7	B-0431	Swivel Base Deck Mount Flange
8	000999-45	Brass Lock Washer
9	002954-45	Shank Lock Nut
10	150A	1/4" NPT Tailpiece & Nut



Product Specifications:

Swivel/Rigid Deck Mount Dummy Gooseneck w/ Plain End Outlet & 0.5 GPM Flow Disc

Product Compliance:

ASME A112.18.1 / CSA B125.1
NSF 61 - Section 9
NSF 372 (Low Lead Content)