



T&S BRASS AND BRONZE WORKS, INC.

2 Saddleback Cove / P.O. Box 1088
Travelers Rest, SC 29690

Model No.

B-0520-VF05

Item No.

Travelers Rest, SC: 800-476-4103 • Simi Valley, CA: 800-423-0150 • Fax: 864-834-3518 • www.tsbrass.com

This Space for Architect/Engineer Approval

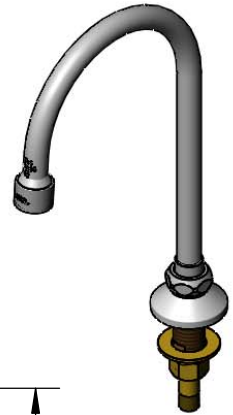
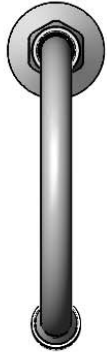
Job Name _____ Date _____

Model Specified _____ Quantity _____

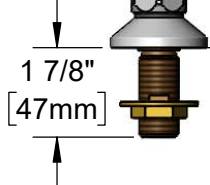
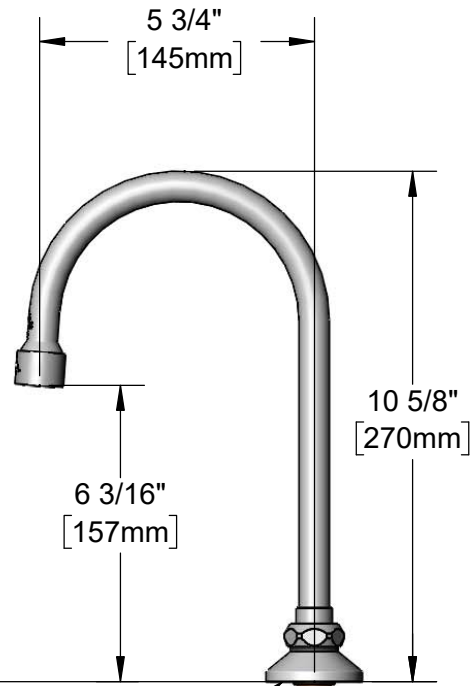
Customer/Wholesaler _____

Contractor _____

Architect/Engineer _____



5 3/4" Swivel Gooseneck w/
B-0199-06-N05
0.5 GPM VR Non-Aerated
Spray Device.
Rigid Conversion Requires
014200-45 Lock Washer
(Included)



Mounting
Surface

Ø2" [51mm]
Swivel Deck Flange w/
1/2" NPSM Male Inlet

1 1/8"
[29mm]
Maximum
Thickness

150A
Optional Tailpiece & Nut
for 1/2" NPT Connection
(Included)

Product Specifications:

Swivel/Rigid Deck Mount Dummy Gooseneck w/ 0.5 GPM Vandal Resistant Non-Aerated Spray Device

Product Compliance:

ASME A112.18.1 / CSA B125.1
NSF 61 - Section 9
NSF 372 (Low Lead Content)



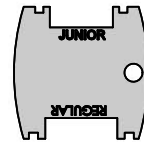
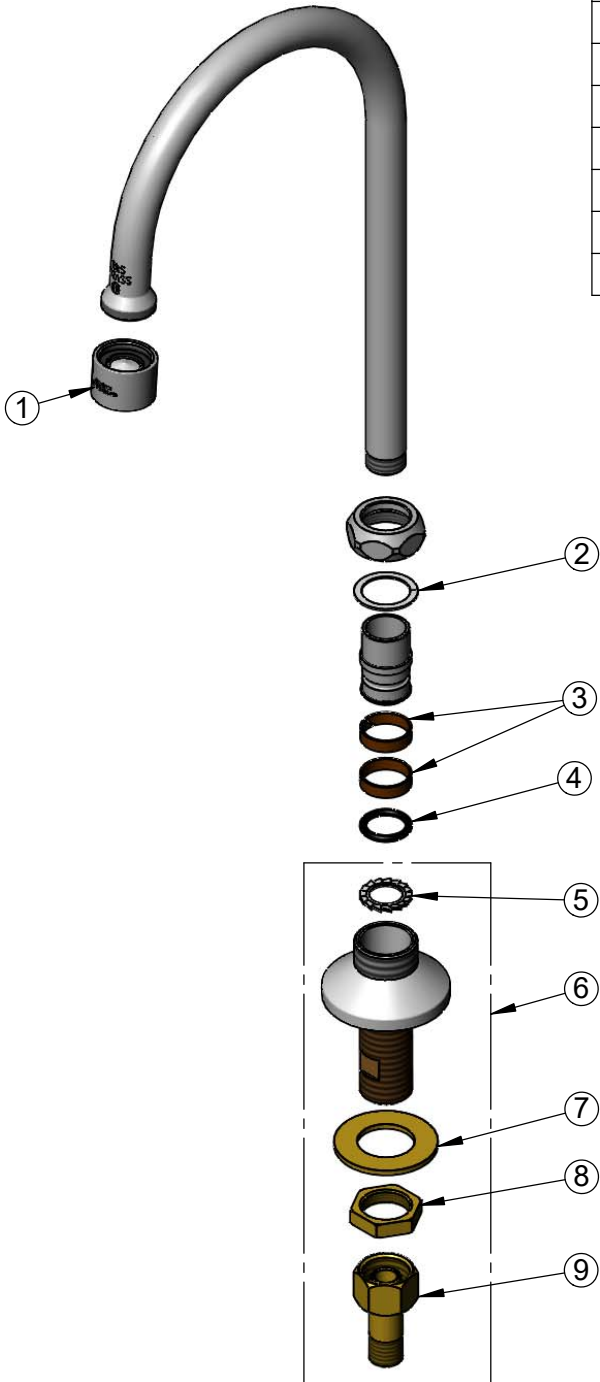
T&S BRASS AND BRONZE WORKS, INC.
 2 Saddleback Cove / P.O. Box 1088
 Travelers Rest, SC 29690

Model No.
B-0520-VF05

Item No.

Travelers Rest, SC: 800-476-4103 • Simi Valley, CA: 800-423-0150 • Fax: 864-834-3518 • www.tsbrass.com

ITEM NO.	SALES NO.	DESCRIPTION
1	B-0199-06-N05	0.5 GPM VR Non-Aerated Spray Device, 55/64-27 Female
2	009538-45	Swivel Washer
3	011429-45	Swivel Sleeves (2)
4	001074-45	O-Ring
5	014200-45	Star Washer, Anti-Rotation
6	B-0431	Swivel Base Deck Mount Flange
7	000999-45	Brass Lock Washer
8	002954-45	Shank Lock Nut
9	150A	1/4" NPT Tailpiece & Nut



015425-45
 Vandal Resistant Key
 (Included)

Product Specifications:
 Swivel/Rigid Deck Mount Dummy Gooseneck w/ 0.5 GPM Vandal Resistant Non-Aerated Spray Device

Product Compliance:
 ASME A112.18.1 / CSA B125.1
 NSF 61 - Section 9
 NSF 372 (Low Lead Content)