



T&S BRASS AND BRONZE WORKS, INC.

2 Saddleback Cove / P.O. Box 1088
Travelers Rest, SC 29690

Model No.

B-0519

Item No.

Travelers Rest, SC: 800-476-4103 • Simi Valley, CA: 800-423-0150 • Fax: 864-834-3518 • www.tsbrass.com

This Space for Architect/Engineer Approval

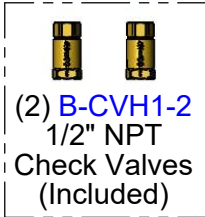
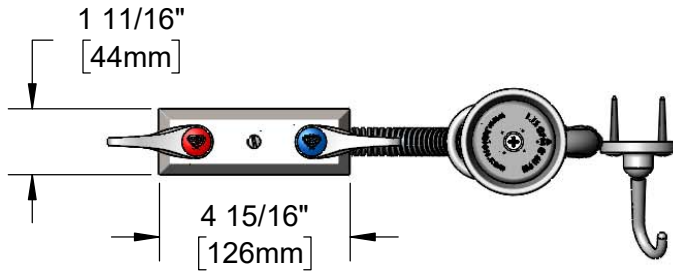
Job Name _____ Date _____

Model Specified _____ Quantity _____

Customer/Wholesaler _____

Contractor _____

Architect/Engineer _____



B-0107
1.15 GPM
Spray Valve

B-0104-D
Dummy
Wall Hook

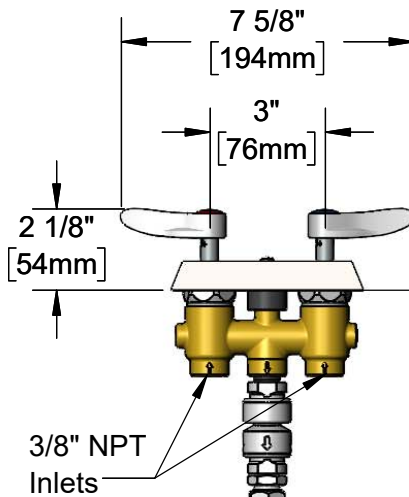
Quarter-Turn
Eterna Cartridges w/
Spring Checks &
Lever Handles w/
Color Coded Indexes

Mounting Surface

B-0970-FE
Continuous Pressure
Vacuum Breaker

053A Adapter

Items Not Shown
For Clarity



3/8" NPT
Inlets

68" Flexible
Stainless Steel Hose

Rough-In Requirement:
(2) \varnothing 1 9/16" [40mm] Mounting Holes
 \varnothing 1/4" [6mm] Center Mounting Screw

Product Specifications:

3" Deck Mount Concealed Mixing Faucet, Lever Handles, Quarter-Turn Eterna Cartridges w/ Spring Checks, Wall Hook, 1.15 GPM Spray Valve, 68" Flexible Stainless Steel Hose, 3/8" NPT Vacuum Breaker, 3/8" NPT Female Inlets & 1/2" NPT Check Valves

Product Compliance:

ASME A112.18.1 / CSA B125.1
NSF 61 - Section 9
NSF 372 (Low Lead Content)
2019 DOE PRSV - Class II
CSA B64.8 (VB)

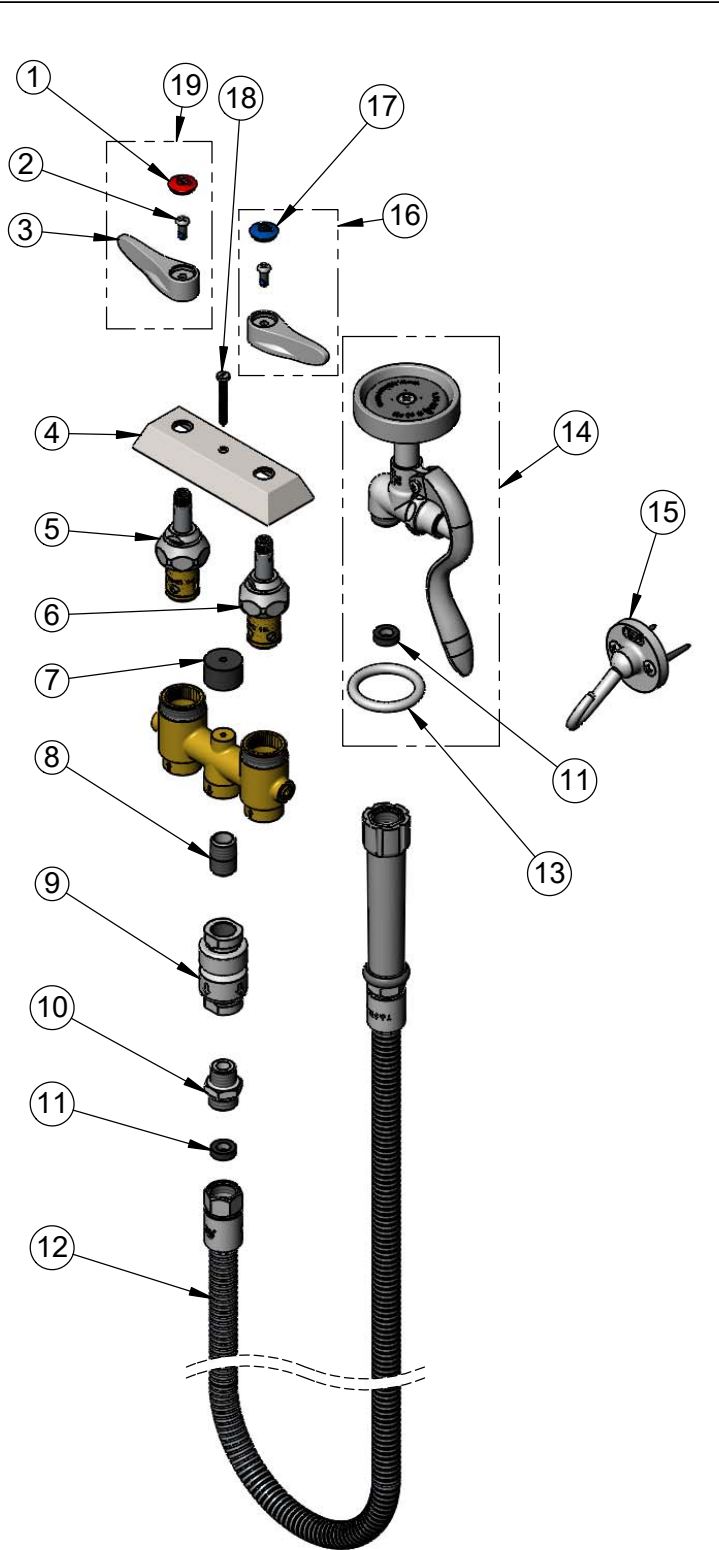


T&S BRASS AND BRONZE WORKS, INC.
 2 Saddleback Cove / P.O. Box 1088
 Travelers Rest, SC 29690

Model No.
B-0519

Item No.

Travelers Rest, SC: 800-476-4103 • Simi Valley, CA: 800-423-0150 • Fax: 864-834-3518 • www.tsbrass.com



ITEM NO.	SALES NO.	DESCRIPTION
1	001193-19NS	Red Button Index, Press-in
2	000925-45	Lab Handle Screw
3	001638-45NS	Lever Handle (New Style)
4	000020-40	Escutcheon
5	006020-40NS	Quarter-Turn Long Spindle Eterna Cartridge w/ Spring Check, RTC
6	006021-40NS	Quarter-Turn Long Spindle Eterna Cartridge w/ Spring Check, LTC
7	015986-45	Spacer
8	002535-25	3/8" Close Nipple
9	B-0970-FE	3/8" NPT Vacuum Breaker
10	053A	Adapter, 3/8" NPT x 3/4-14UN
11	010476-45	#27 Washer
12	B-0068-H	68" Flexible Stainless Steel Hose
13	000907-45	Spray Valve Hold Down Ring
14	B-0107	1.15 GPM Spray Valve
15	B-0104-D	Dummy Wall Hook
16	001636-45NS	Lever Handle w/ Blue Index & Screw
17	018506-19NS	Blue Button Index, Press-in
18	002819-45	Screw
19	001637-45NS	Lever Handle, Red Index & Screw



B-CVH1-2
 1/2" NPT Check Valve

Product Specifications:
 3" Deck Mount Concealed Mixing Faucet, Lever Handles, Quarter-Turn Eterna Cartridges w/ Spring Checks, Wall Hook, 1.15 GPM Spray Valve, 68" Flexible Stainless Steel Hose, 3/8" NPT Vacuum Breaker, 3/8" NPT Female Inlets & 1/2" NPT Check Valves

Product Compliance:
 ASME A112.18.1 / CSA B125.1
 NSF 61 - Section 9
 NSF 372 (Low Lead Content)
 2019 DOE PRSV - Class II
 CSA B64.8 (VB)