



**T&S BRASS AND BRONZE WORKS, INC.**  
 2 Saddleback Cove / P.O. Box 1088  
 Travelers Rest, SC 29690

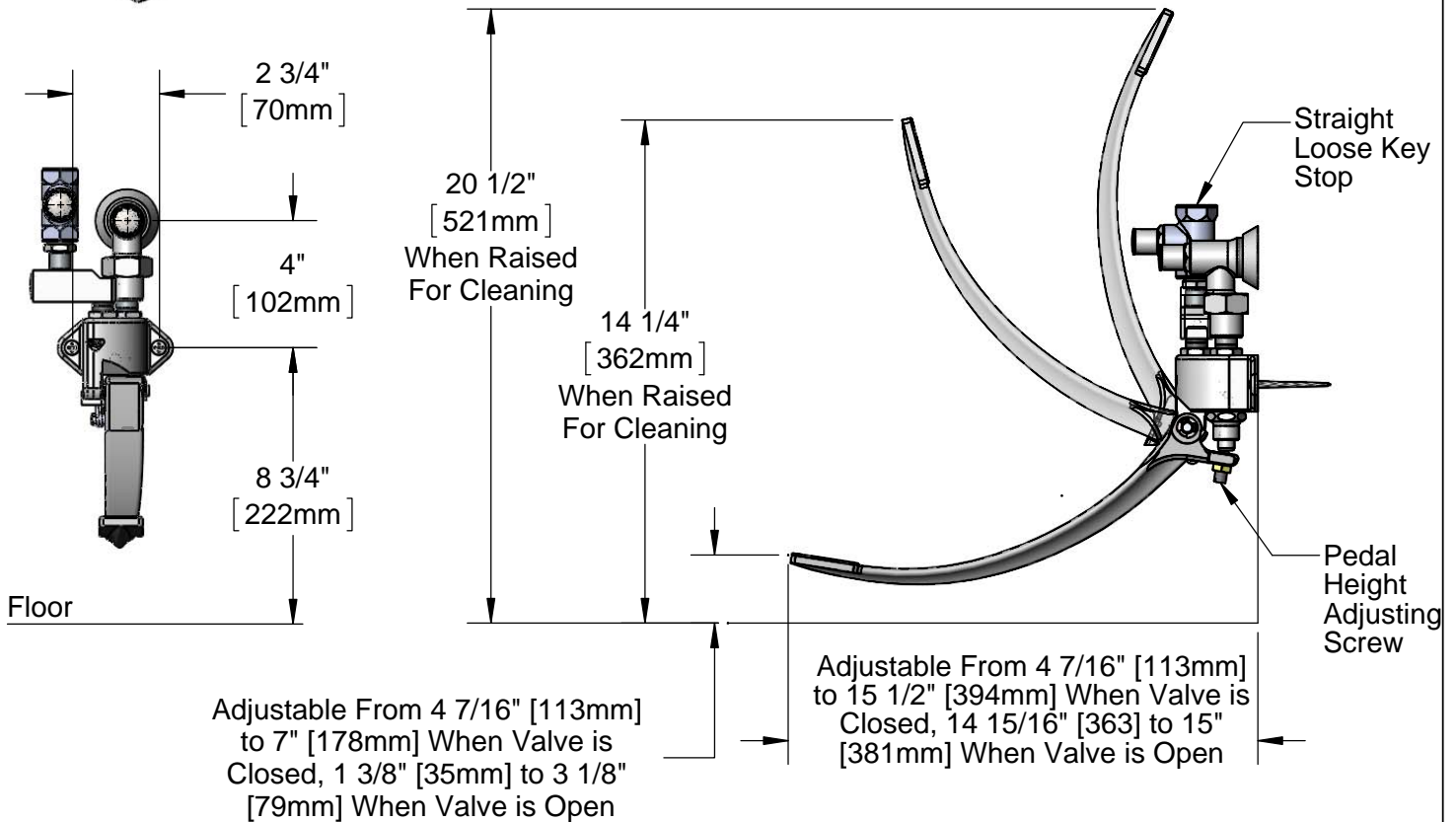
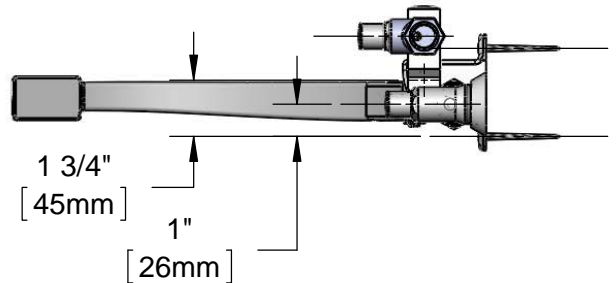
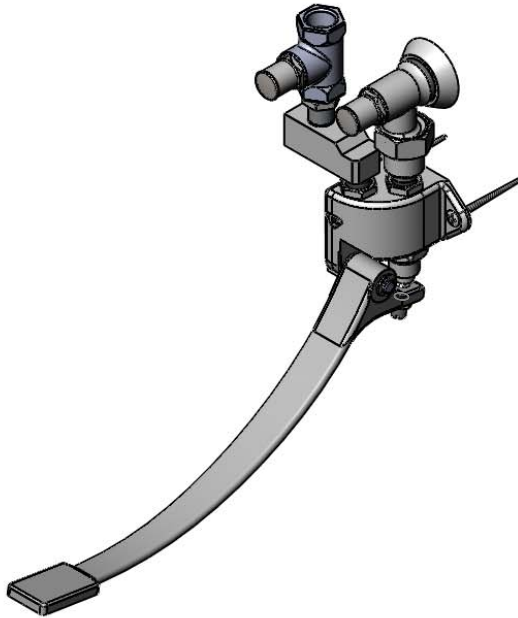
Model No.  
**B-0508-02**

Item No.

Travelers Rest, SC: 800-476-4103 • Simi Valley, CA: 800-423-0150 • Fax: 864-834-3518 • www.tsbrass.com

This Space for Architect/Engineer Approval

Job Name \_\_\_\_\_ Date \_\_\_\_\_  
 Model Specified \_\_\_\_\_ Quantity \_\_\_\_\_  
 Customer/Wholesaler \_\_\_\_\_  
 Contractor \_\_\_\_\_  
 Architect/Engineer \_\_\_\_\_



Product Specifications:  
 Single Pedal Valve With Straight Stop & Volume Control

Product Compliance:  
 ASME A112.18.1 / CSA B125.1  
 NSF 61 - Section 9  
 NSF 372 (Low Lead Content)



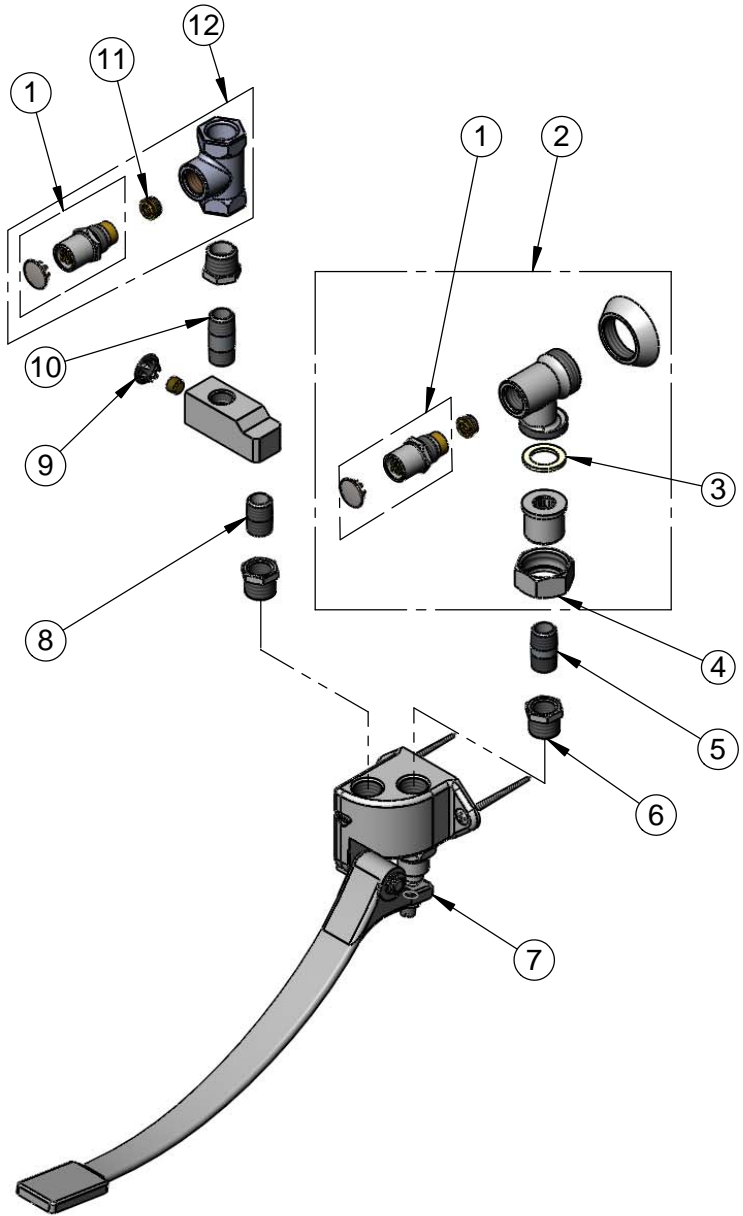
**T&S BRASS AND BRONZE WORKS, INC.**  
 2 Saddleback Cove / P.O. Box 1088  
 Travelers Rest, SC 29690

Model No.  
**B-0508-02**

Item No.

Travelers Rest, SC: 800-476-4103 • Simi Valley, CA: 800-423-0150 • Fax: 864-834-3518 • www.tsbrass.com

ITEM NO.	SALES NO.	DESCRIPTION
1	166A	Service Stop w/ Cap, T-Handle & Screw
2	B-1351	Loose Key Angle Stop 3/8" NPT
3	001019-45	Coupling Nut Washer
4	000721-25	Flange Coupling Nut
5	000355-40	Nipple 3/8 NPT X 1 1/4"
6	001359-40	Hex Bushing, 1/2" NPT Male x 3/8" NPT Female
7	B-0508	Single Pedal Valve
8	002535-25	3/8" Close Nipple
9	001605-45	Cap
10	002341-40	Nipple, 3/8" NPT x 1-1/2"
11	000763-20	Seat
12	B-0416	Loose Key Straight Stop Assembly



Product Specifications:  
**Single Pedal Valve With Straight Stop & Volume Control**

Product Compliance:  
 ASME A112.18.1 / CSA B125.1  
 NSF 61 - Section 9  
 NSF 372 (Low Lead Content)