



T&S BRASS AND BRONZE WORKS, INC.

2 Saddleback Cove / P.O. Box 1088
Travelers Rest, SC 29690

Model No.

B-0508-01

Item No.

Travelers Rest, SC: 800-476-4103 • Simi Valley, CA: 800-423-0150 • Fax: 864-834-3518 • www.tsbrass.com

This Space for Architect/Engineer Approval

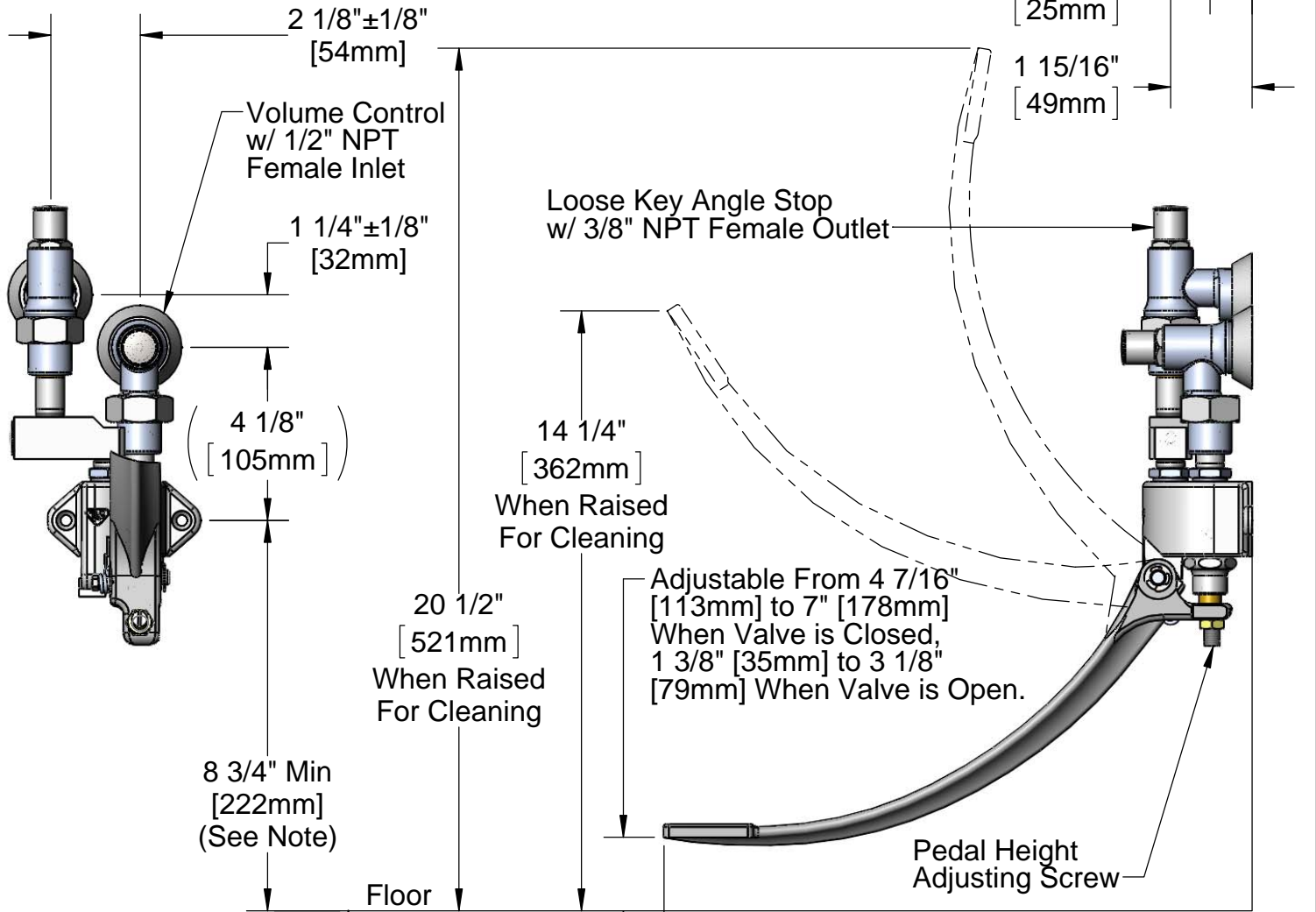
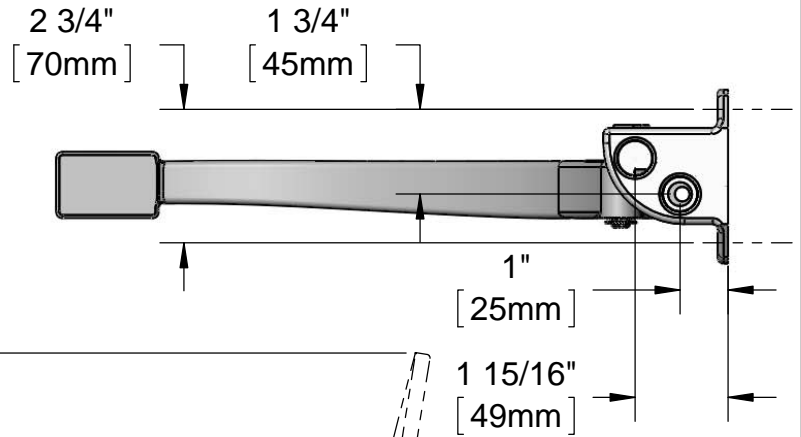
Job Name _____ Date _____

Model Specified _____ Quantity _____

Customer/Wholesaler _____

Contractor _____

Architect/Engineer _____



Note: All Pedal Position Dimensions are Based on Minimum Recommended Mounting Height of 8 3/4" [222mm] Above the Floor

Adjustable From 15 3/16" [386mm] to 15 1/2" [394mm] When Valve is Closed
14 5/16" [363mm] to 15" [381mm] When Valve is Open

Product Specifications:
Single Pedal Valve w/ Loose Key Angle Stop & Volume Control

Drawn DHL	Checked DMH	Approved JHB
Scale: 1:4		Date: 01/05/12



T&S BRASS AND BRONZE WORKS, INC.

2 Saddleback Cove / P.O. Box 1088
Travelers Rest, SC 29690

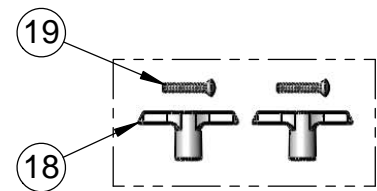
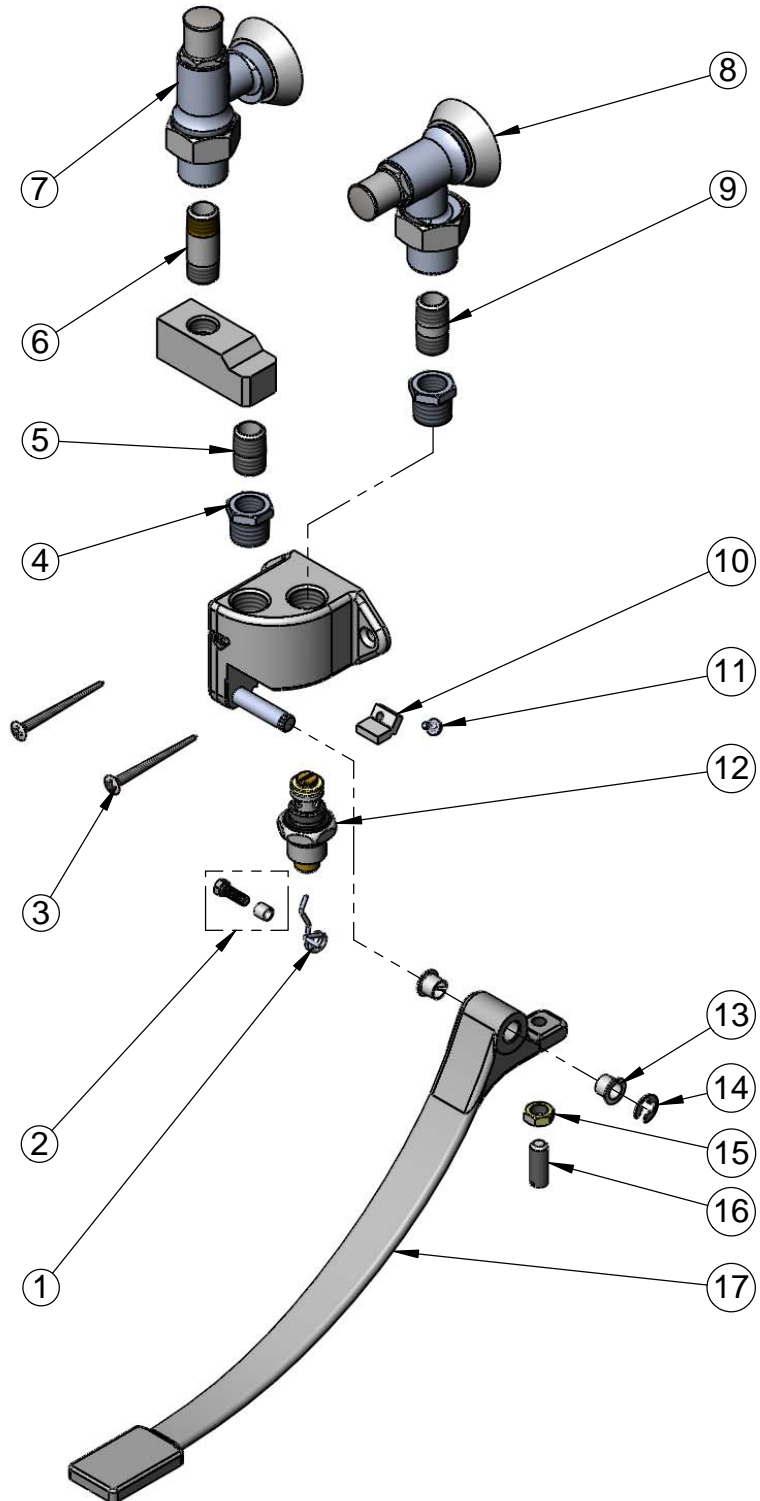
Model No.

B-0508-01

Item No.

Travelers Rest, SC: 800-476-4103 • Simi Valley, CA: 800-423-0150 • Fax: 864-834-3518 • www.tsbrass.com

ITEM NO.	SALES NO.	DESCRIPTION
1	000887-45	Spring, RH (Cold Pedal)
2	001483-25	Pedal Spring Screw & Spacer
3	003749-45	Foot Pedal Mtg. Screw
4	001359-40	Hex Bushing, 1/2" Male x 3/8" Female
5	002535-25	3/8" Close Nipple
6	000356-40	3/8" NPT x 1 3/4" Nipple
7	B-1355	3/8" NPT Female Inlet Loose Key Angle Stop w/ Handle & Screw
8	B-1351	1/2" NPT Female Inlet Loose Key Angle Stop w/ Handle & Screw
9	000355-40	3/8" NPT x 1 1/4" Nipple
10	012513-10	Pad
11	012523-45	Pad Screw
12	005312-40	Bonnet Assembly
13	001602-45	Bushing, Pedal Valve
14	012512-45	E-clip Retaining Ring
15	000952-45	Nut
16	001123-45	Nylon Set Screw
17	000245-30	B-0508 Blank Pedal
18	001802-45	Supply Stop T-Handle
19	002432-45	Supply Stop T-Handle Screw



Product Specifications:
Single Pedal Valve w/ Loose Key Angle Stop & Volume Control

Drawn DHL	Checked DMH	Approved JHB
Scale: NTS		Date: 01/05/12