



T&S BRASS AND BRONZE WORKS, INC.
 2 Saddleback Cove / P.O. Box 1088
 Travelers Rest, SC 29690

Model No.
B-0505-SL

Item No.

Travelers Rest, SC: 800-476-4103 • Simi Valley, CA: 800-423-0150 • Fax: 864-834-3518 • www.tsbrass.com

This Space for Architect/Engineer Approval

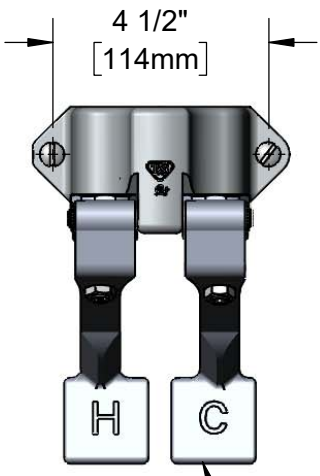
Job Name _____ Date _____

Model Specified _____ Quantity _____

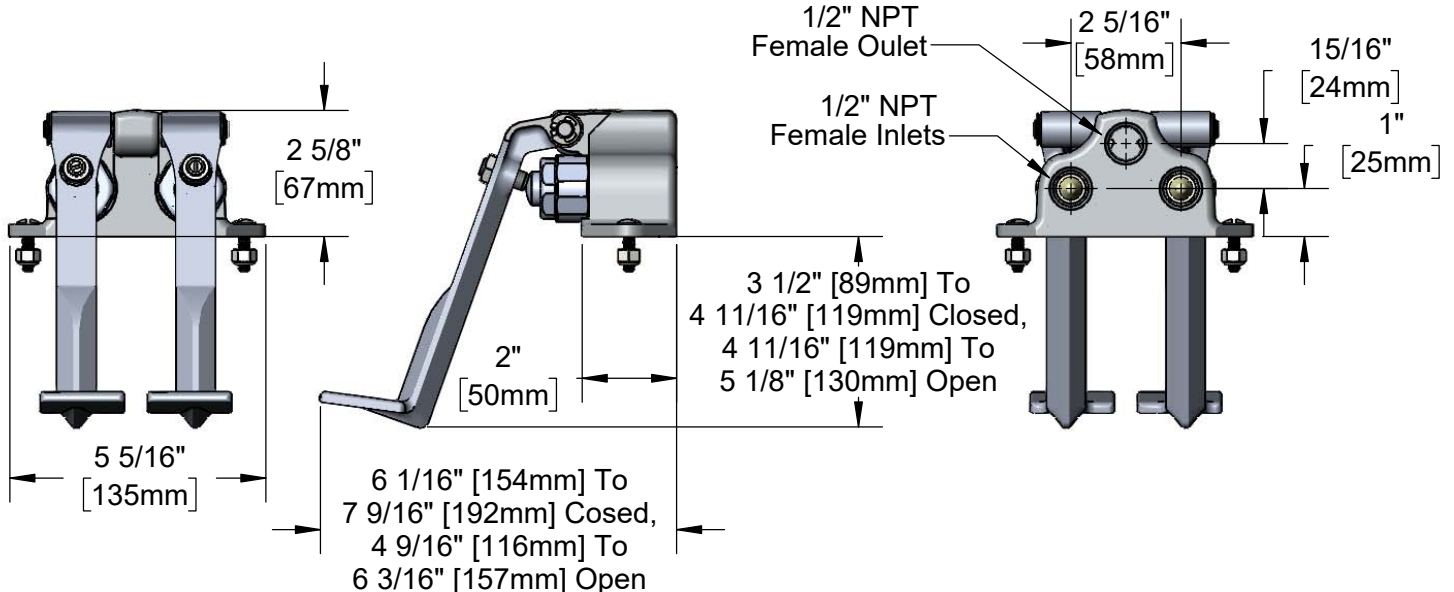
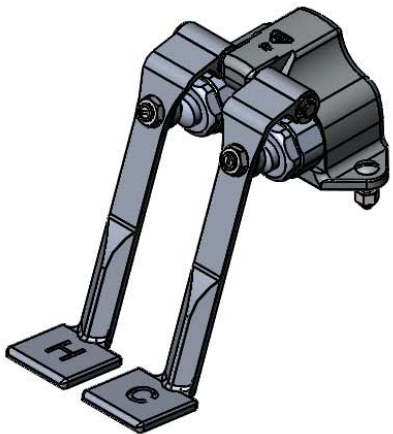
Customer/Wholesaler _____

Contractor _____

Architect/Engineer _____



Aluminum Foot Pedals



Product Specifications:
 Ledge Mounted Double Pedal Valve with Metering Cartridges and 1/2" NPT Female Inlets & Outlet

Product Compliance:
 ASME A112.18.1 / CSA B125.1
 NSF 61 - Section 9
 NSF 372 (Low Lead Content)



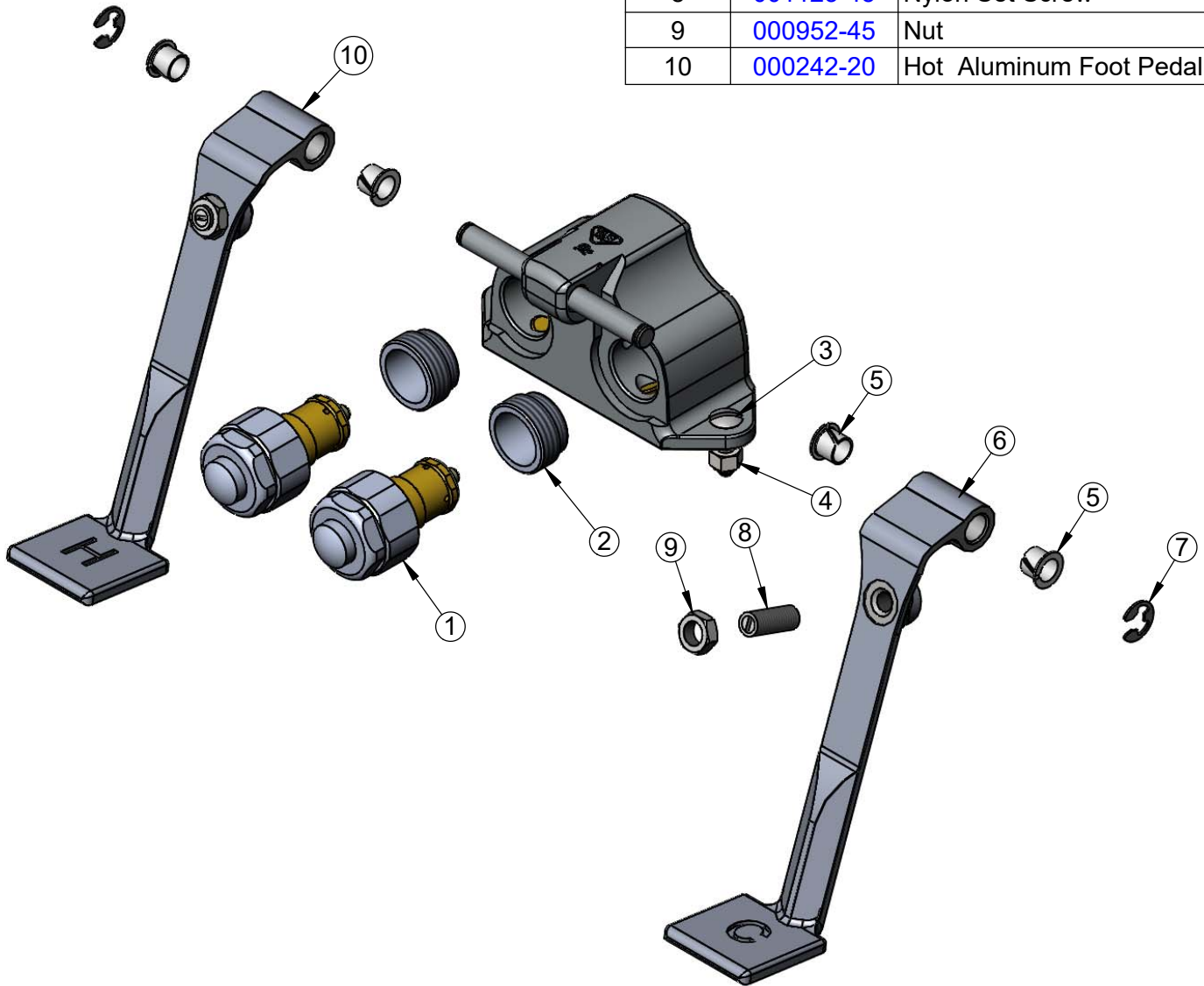
T&S BRASS AND BRONZE WORKS, INC.
 2 Saddleback Cove / P.O. Box 1088
 Travelers Rest, SC 29690

Model No.
B-0505-SL

Item No.

Travelers Rest, SC: 800-476-4103 • Simi Valley, CA: 800-423-0150 • Fax: 864-834-3518 • www.tsbrass.com

| ITEM NO. | SALES NO. | DESCRIPTION |
|----------|-----------|--------------------------|
| 1 | 011406-40 | Foot Pedal Base |
| 2 | 011320-25 | Adapter |
| 3 | 000919-45 | Screw |
| 4 | 000951-45 | Nylon Lock Nut |
| 5 | 001602-45 | Bushing, Pedal Valve |
| 6 | 000241-20 | Cold Aluminum Foot Pedal |
| 7 | 012512-45 | E-Clip Retaining Ring |
| 8 | 001123-45 | Nylon Set Screw |
| 9 | 000952-45 | Nut |
| 10 | 000242-20 | Hot Aluminum Foot Pedal |



Product Specifications:
 Ledge Mounted Double Pedal Valve with Metering Cartridges and 1/2"
 NPT Female Inlets & Outlet

Product Compliance:
 ASME A112.18.1 / CSA B125.1
 NSF 61 - Section 9
 NSF 372 (Low Lead Content)