



T&S BRASS AND BRONZE WORKS, INC.

2 Saddleback Cove / P.O. Box 1088
Travelers Rest, SC 29690

Model No.

B-0504-LKS

Item No.

Travelers Rest, SC: 800-476-4103 • Simi Valley, CA: 800-423-0150 • Fax: 864-834-3518 • www.tsbrass.com

This Space for Architect/Engineer Approval

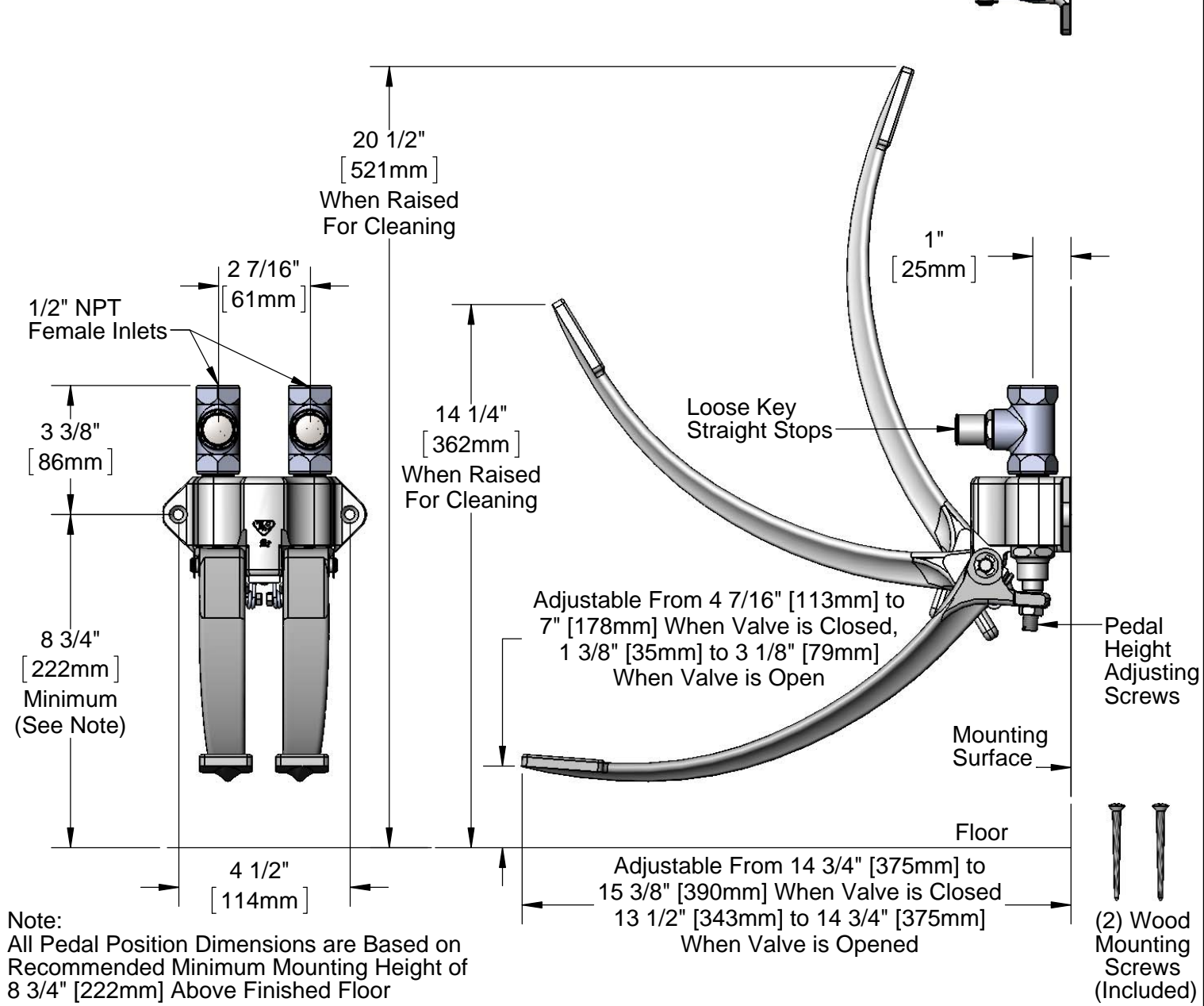
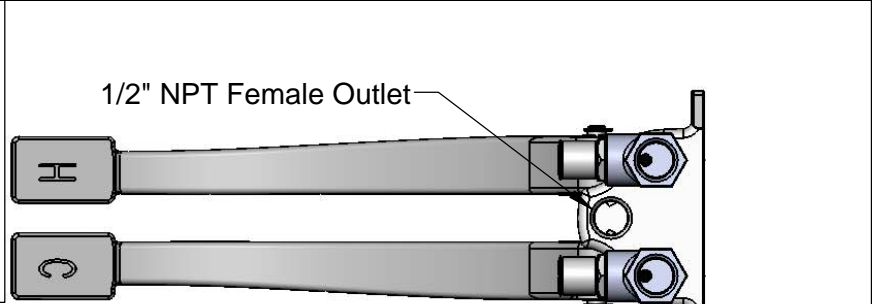
Job Name _____ Date _____

Model Specified _____ Quantity _____

Customer/Wholesaler _____

Contractor _____

Architect/Engineer _____



Note:
All Pedal Position Dimensions are Based on Recommended Minimum Mounting Height of 8 3/4" [222mm] Above Finished Floor

Product Specifications:
Double Pedal Valve w/ Loose Key Straight Stops

Product Compliance:
ASME A112.18.1 / CSA B125.1
NSF 61 - Section 9
NSF 372 (Low Lead Content)



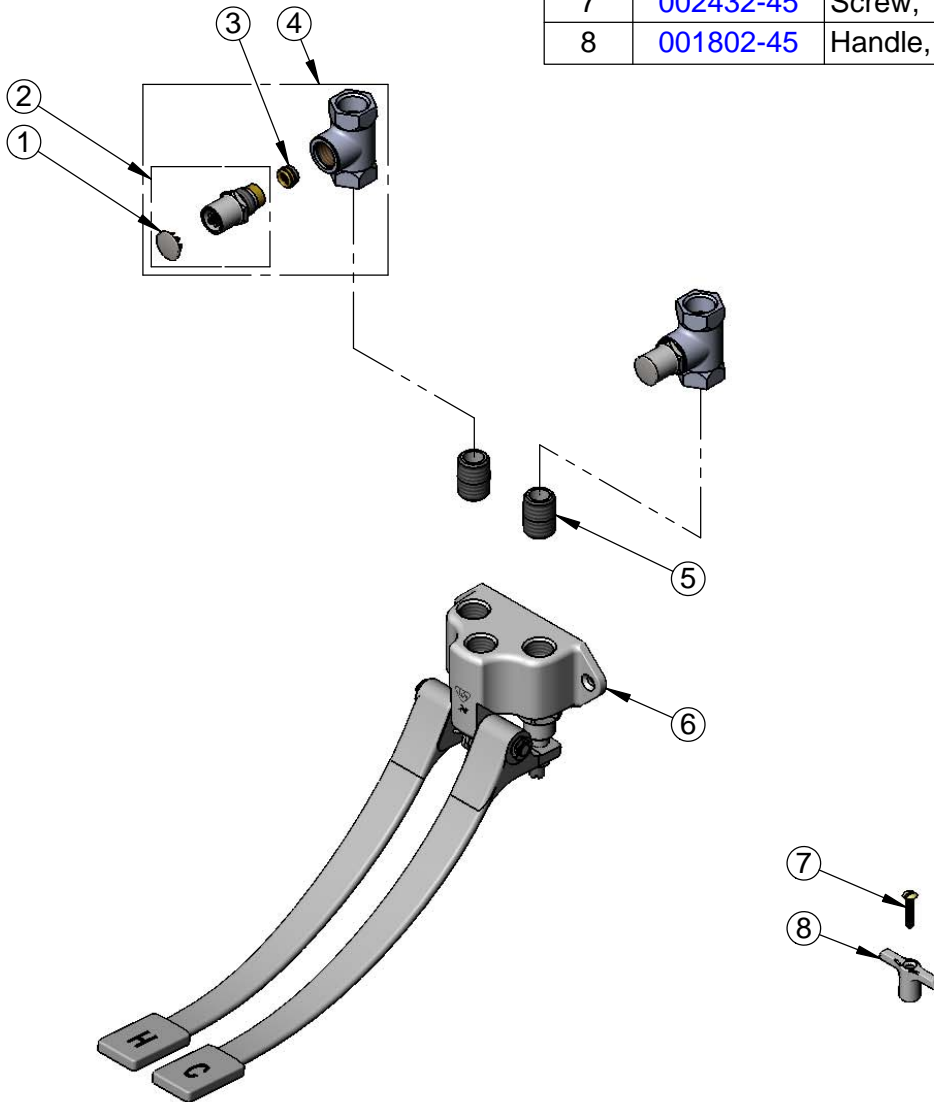
T&S BRASS AND BRONZE WORKS, INC.
 2 Saddleback Cove / P.O. Box 1088
 Travelers Rest, SC 29690

Model No.
B-0504-LKS

Item No.

Travelers Rest, SC: 800-476-4103 • Simi Valley, CA: 800-423-0150 • Fax: 864-834-3518 • www.tsbrass.com

ITEM NO.	SALES NO.	DESCRIPTION
1	001605-45	Cap
2	166A	Service Stop w/ Cap, T-Handle & Screw
3	000763-20	Seat
4	B-0416	Loose Key Straight Stop, 1/2" NPT
5	002534-25	Close Nipple, 1/2" NPT
6	B-0504	Double Pedal Valve, Wall Mount
7	002432-45	Screw, Tee Handle
8	001802-45	Handle, Supply Stop "T"



Product Specifications:
Double Pedal Valve w/ Loose Key Straight Stops

Product Compliance:
 ASME A112.18.1 / CSA B125.1
 NSF 61 - Section 9
 NSF 372 (Low Lead Content)