



# T&S BRASS AND BRONZE WORKS, INC.

2 Saddleback Cove / P.O. Box 1088  
Travelers Rest, SC 29690

Model No.

**B-0504-01**

Item No.

Travelers Rest, SC: 800-476-4103 • Simi Valley, CA: 800-423-0150 • Fax: 864-834-3518 • www.tsbrass.com

This Space for Architect/Engineer Approval

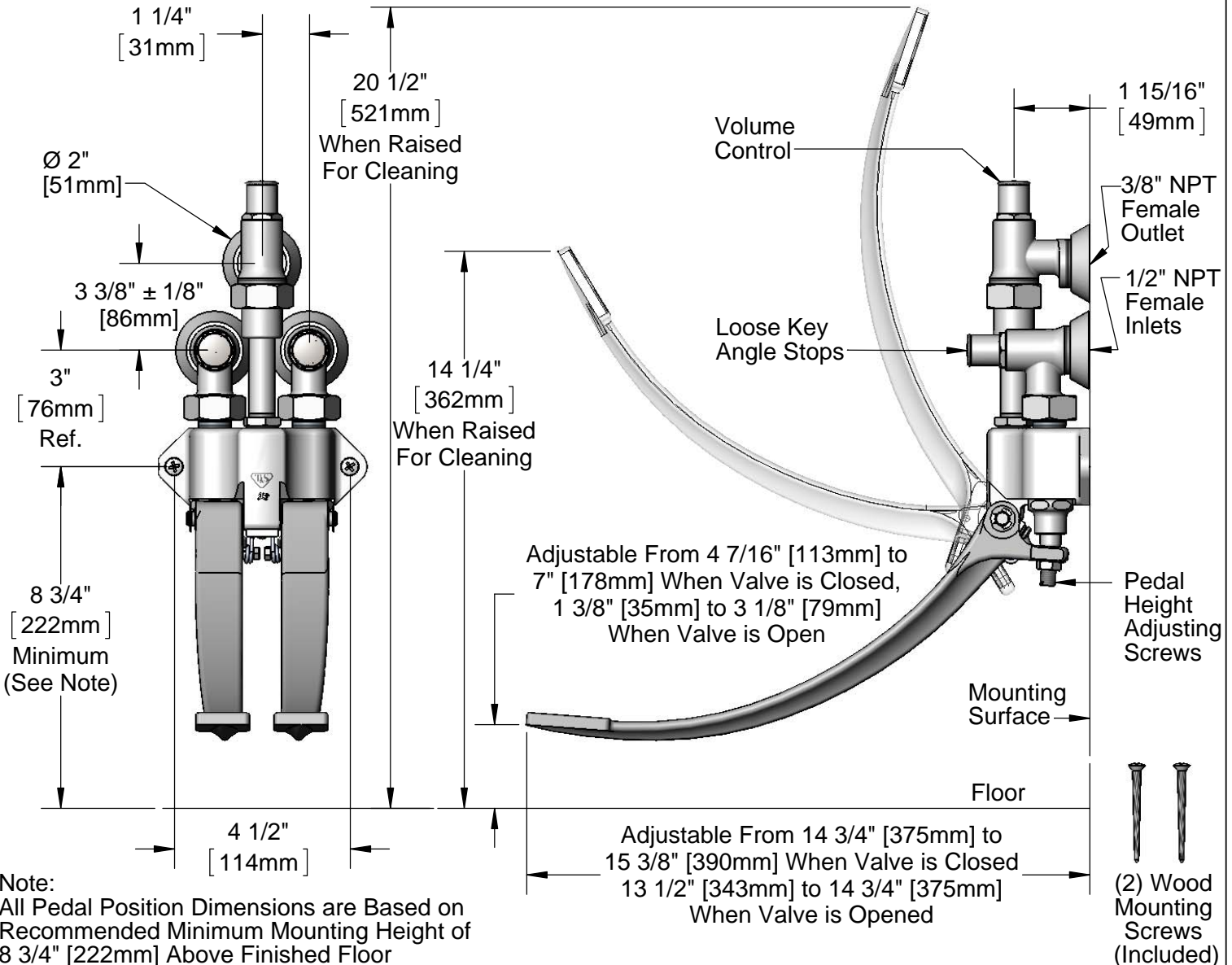
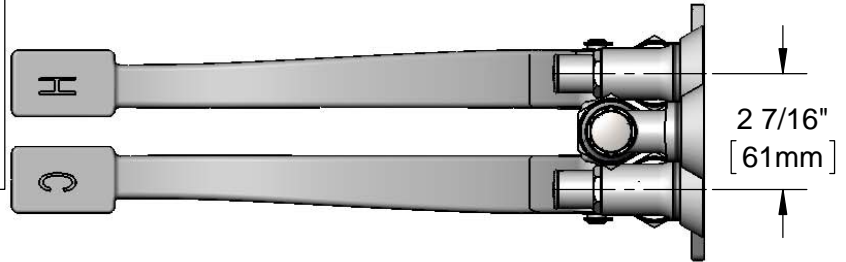
Job Name \_\_\_\_\_ Date \_\_\_\_\_

Model Specified \_\_\_\_\_ Quantity \_\_\_\_\_

Customer/Wholesaler \_\_\_\_\_

Contractor \_\_\_\_\_

Architect/Engineer \_\_\_\_\_



**Note:**  
All Pedal Position Dimensions are Based on Recommended Minimum Mounting Height of 8 3/4" [222mm] Above Finished Floor

Product Specifications:

**Double Pedal Valve w/ Loose Key Angle Stops & Angle Volume Control**

Product Compliance:

ASME A112.18.1 / CSA B125.1  
NSF 61 - Section 9  
NSF 372 (Low Lead Content)

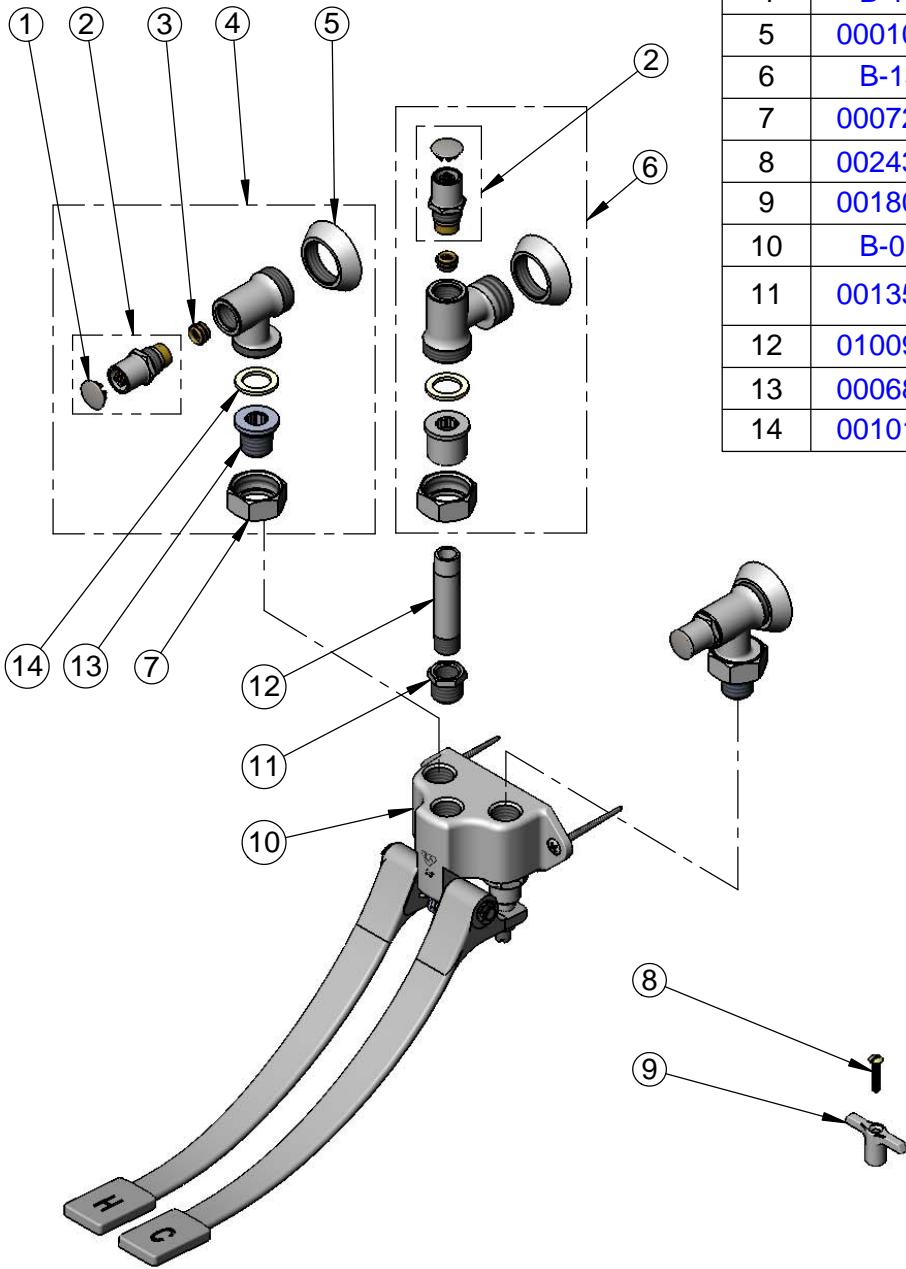


**T&S BRASS AND BRONZE WORKS, INC.**  
 2 Saddleback Cove / P.O. Box 1088  
 Travelers Rest, SC 29690

Model No.  
**B-0504-01**  
 Item No.

Travelers Rest, SC: 800-476-4103 • Simi Valley, CA: 800-423-0150 • Fax: 864-834-3518 • www.tsbrass.com

ITEM NO.	SALES NO.	DESCRIPTION
1	001605-45	Cap
2	166A	Service Stop w/ Cap, T-Handle & Screw
3	000763-20	Seat
4	B-1350	Loose Key Angle Stop 1/2" NPT
5	000101-40	Flange
6	B-1355	Loose Key Angle Stop 3/8" NPT
7	000721-25	Flange Coupling Nut
8	002432-45	Screw, Tee Handle
9	001802-45	Handle, Supply Stop "T"
10	B-0504	Double Pedal Valve, Wall Mount
11	001359-40	Hex Bushing, 1/2" NPT Male x 3/8" NPT Female
12	010092-40	Nipple, 3/8" NPT x 4 1/4" Long
13	000688-25	Insert, 1/2 NPT Male Union
14	001019-45	Coupling Nut Washer



Product Specifications:  
**Double Pedal Valve w/ Loose Key Angle Stops & Angle Volume Control**

Product Compliance:  
 ASME A112.18.1 / CSA B125.1  
 NSF 61 - Section 9  
 NSF 372 (Low Lead Content)