



T&S BRASS AND BRONZE WORKS, INC.
 2 Saddleback Cove / P.O. Box 1088
 Travelers Rest, SC 29690

Model No.
B-0503

Item No.

Travelers Rest, SC: 800-476-4103 • Simi Valley, CA: 800-423-0150 • Fax: 864-834-3518 • www.tsbrass.com

This Space for Architect/Engineer Approval

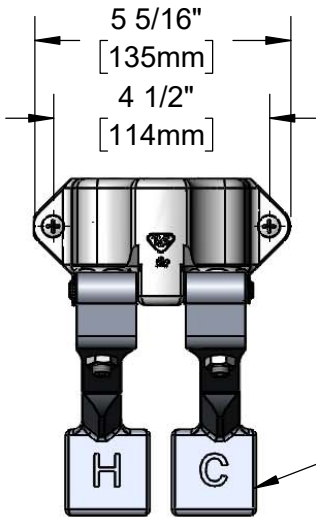
Job Name _____ Date _____

Model Specified _____ Quantity _____

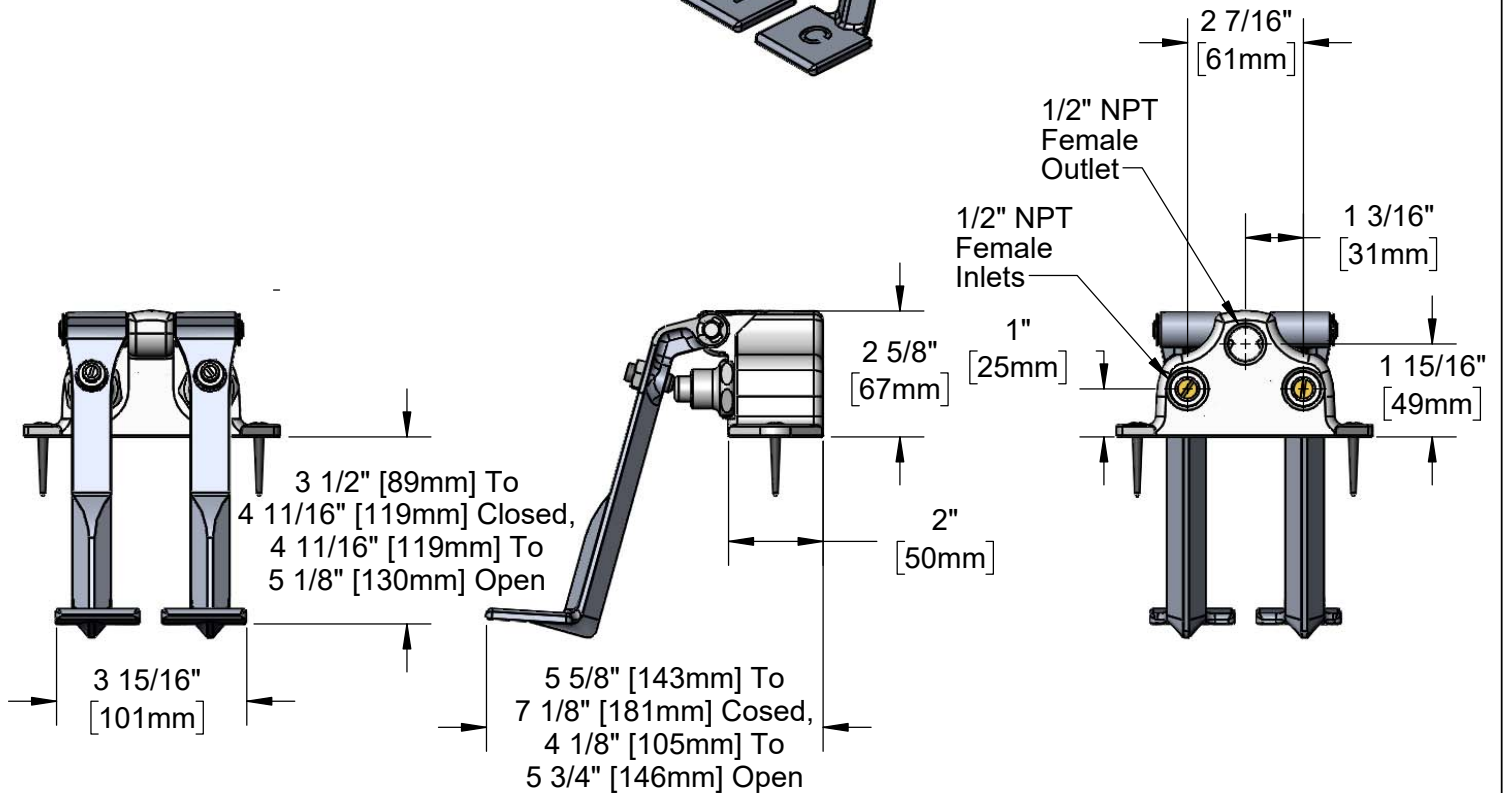
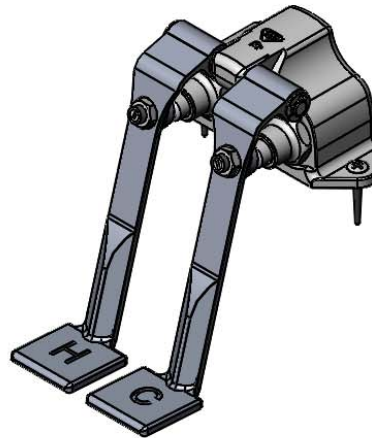
Customer/Wholesaler _____

Contractor _____

Architect/Engineer _____



B-0505 Style
 Cast Aluminum
 Foot Pedals



Product Specifications:
 Ledge Mounted Double Pedal Valve w/ 1/2" NPT Female Inlets & Outlet

Product Compliance:
 ASME A112.18.1 / CSA B125.1
 NSF 61 - Section 9
 NSF 372 (Low Lead Content)



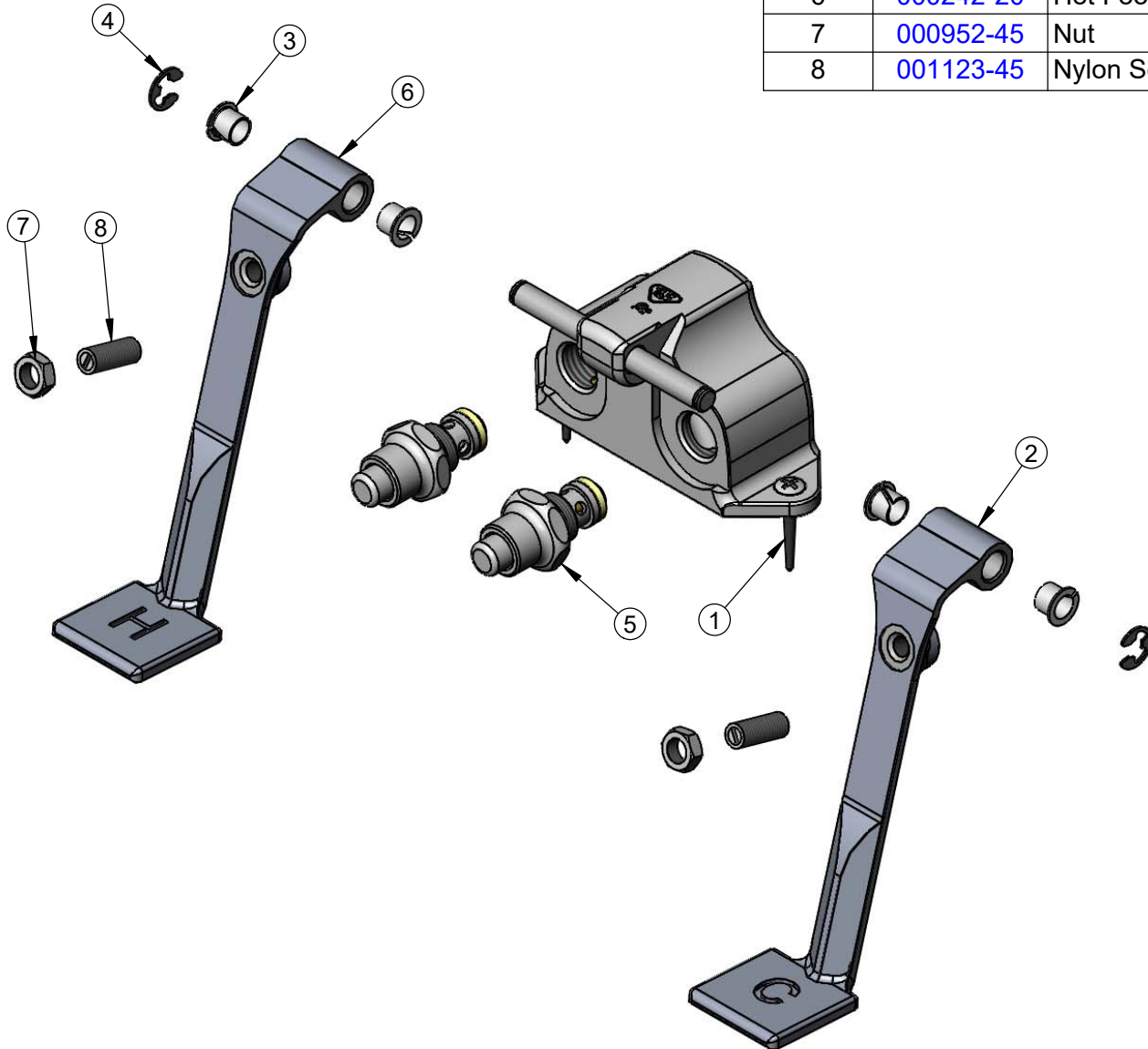
T&S BRASS AND BRONZE WORKS, INC.
 2 Saddleback Cove / P.O. Box 1088
 Travelers Rest, SC 29690

Model No.
B-0503

Item No.

Travelers Rest, SC: 800-476-4103 • Simi Valley, CA: 800-423-0150 • Fax: 864-834-3518 • www.tsbrass.com

ITEM NO.	SALES NO.	DESCRIPTION
1	000915-45	Mounting Screw
2	000241-20	Cold Foot Pedal
3	001602-45	Bushing, Pedal valve
4	012512-45	E-clip Retaining Ring
5	005312-40	Pedal Valve Bonnet
6	000242-20	Hot Foot Pedal
7	000952-45	Nut
8	001123-45	Nylon Set Screw



Product Specifications:
 Ledge Mounted Double Pedal Valve w/ 1/2" NPT Female Inlets & Outlet

Product Compliance:
 ASME A112.18.1 / CSA B125.1
 NSF 61 - Section 9
 NSF 372 (Low Lead Content)