

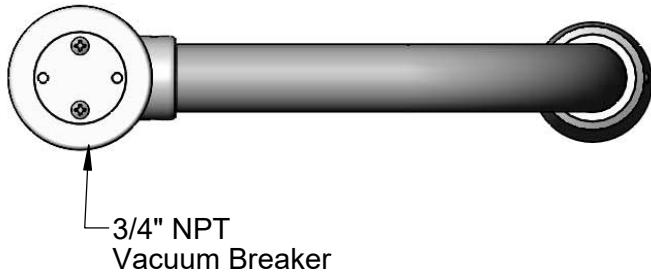


T&S BRASS AND BRONZE WORKS, INC.
 2 Saddleback Cove / P.O. Box 1088
 Travelers Rest, SC 29690

Model No.
B-0457

Item No.

Travelers Rest, SC: 800-476-4103 • Simi Valley, CA: 800-423-0150 • Fax: 864-834-3518 • www.tsbrass.com



This Space for Architect/Engineer Approval

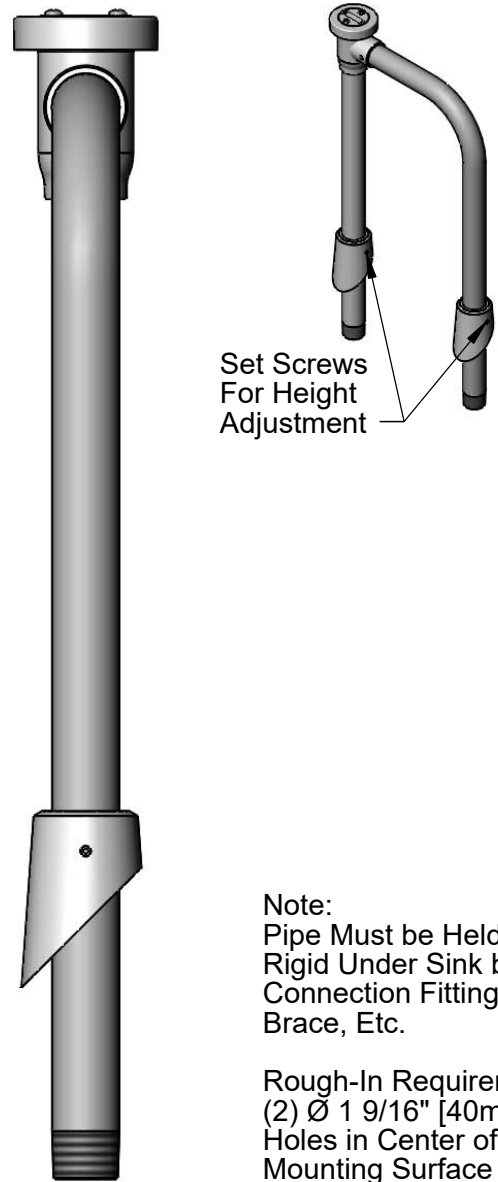
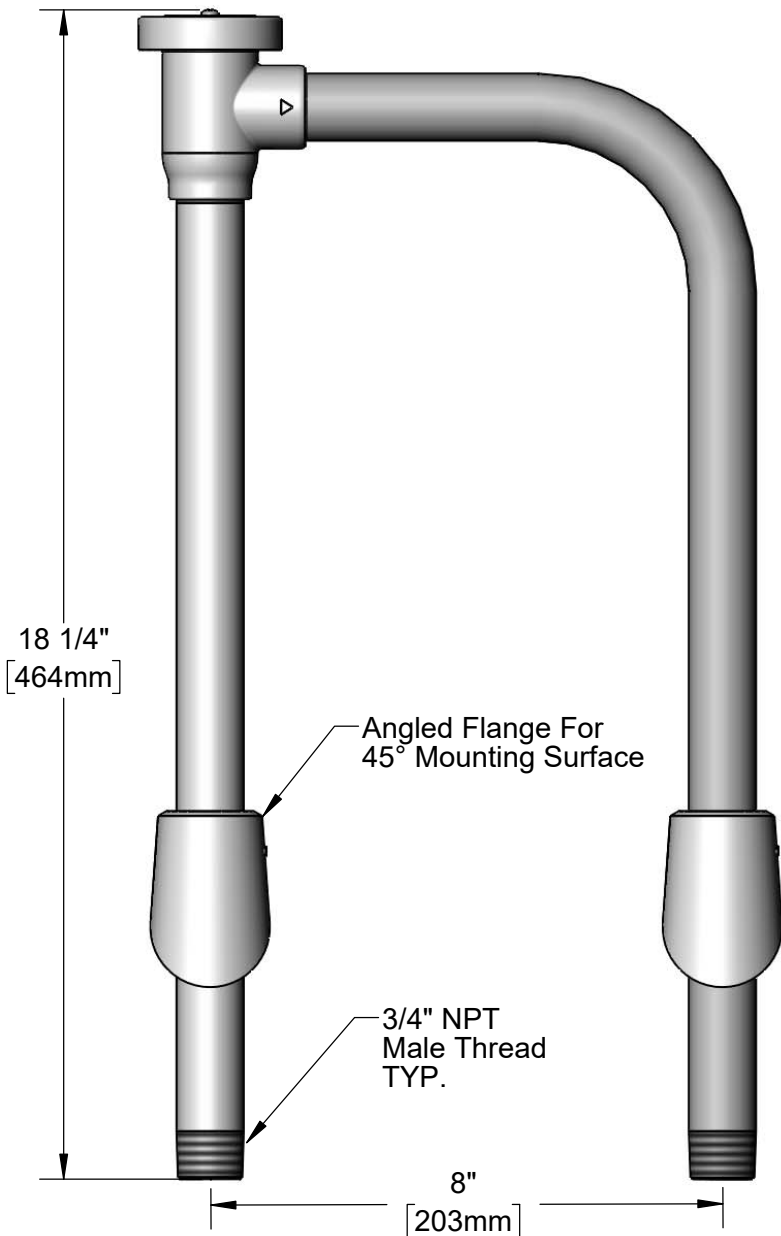
Job Name _____ Date _____

Model Specified _____ Quantity _____

Customer/Wholesaler _____

Contractor _____

Architect/Engineer _____



Note:
 Pipe Must be Held Rigid Under Sink by Connection Fittings, Brace, Etc.

Rough-In Requirement:
 (2) Ø 1 9/16" [40mm] Holes in Center of 45° Mounting Surface to Slip 3/4" Pipe Through.

Product Specifications:
3/4" NPT Vacuum Breaker Unit, 8" Centers

Product Compliance:
 ASME A112.18.1 / CSA B125.1
 NSF 61 - Section 9
 NSF 372 (Low Lead Content)
 ASSE 1001