



T&S BRASS AND BRONZE WORKS, INC.

2 Saddleback Cove / P.O. Box 1088
Travelers Rest, SC 29690

Model No.

B-0430

Item No.

Travelers Rest, SC: 800-476-4103 • Simi Valley, CA: 800-423-0150 • Fax: 864-834-3518 • www.tsbrass.com

This Space for Architect/Engineer Approval

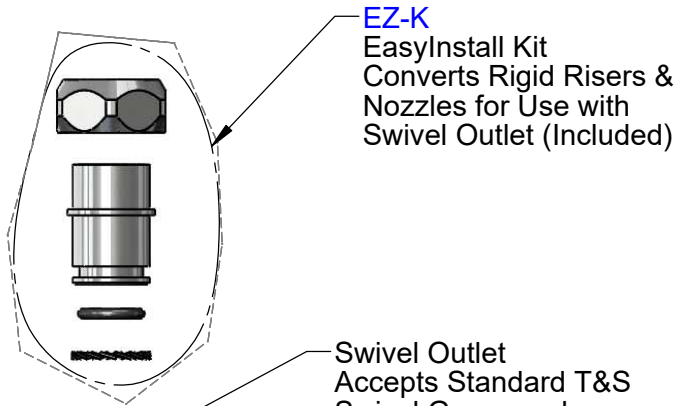
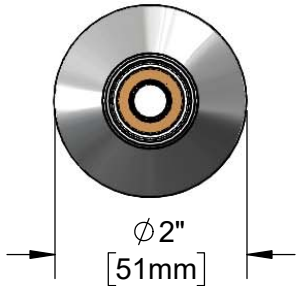
Job Name _____ Date _____

Model Specified _____ Quantity _____

Customer/Wholesaler _____

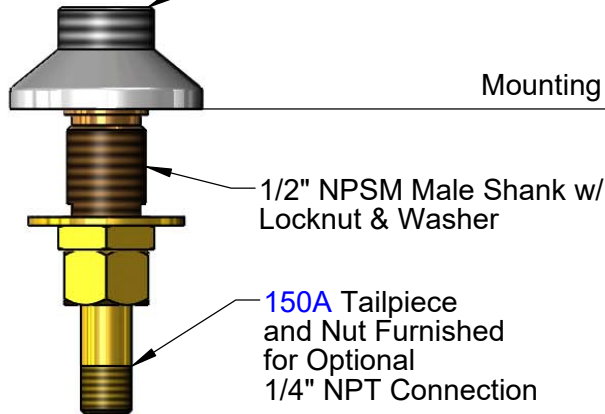
Contractor _____

Architect/Engineer _____



EZ-K
EasyInstall Kit
Converts Rigid Risers &
Nozzles for Use with
Swivel Outlet (Included)

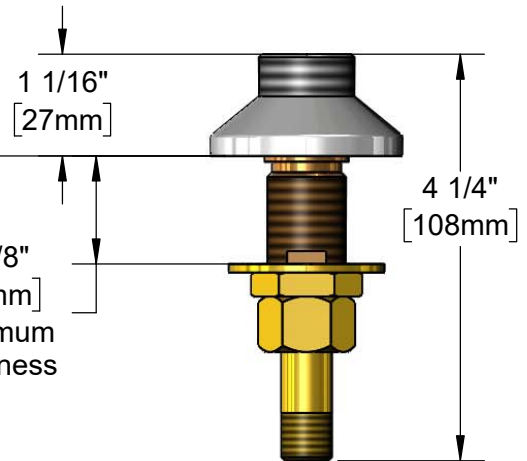
Swivel Outlet
Accepts Standard T&S
Swivel Goosenecks



Mounting Surface

1/2" NPSM Male Shank w/
Locknut & Washer

150A Tailpiece
and Nut Furnished
for Optional
1/4" NPT Connection



Rough-In Requirement:
Ø 1" [25mm] Mounting Hole

Product Specifications:
Ø 2" Swivel Base Flange Accepts Standard T&S Swing Nozzles

Product Compliance:
ASME A112.18.1 / CSA B125.1
NSF 61 - Section 9
NSF 372 (Low Lead Content)



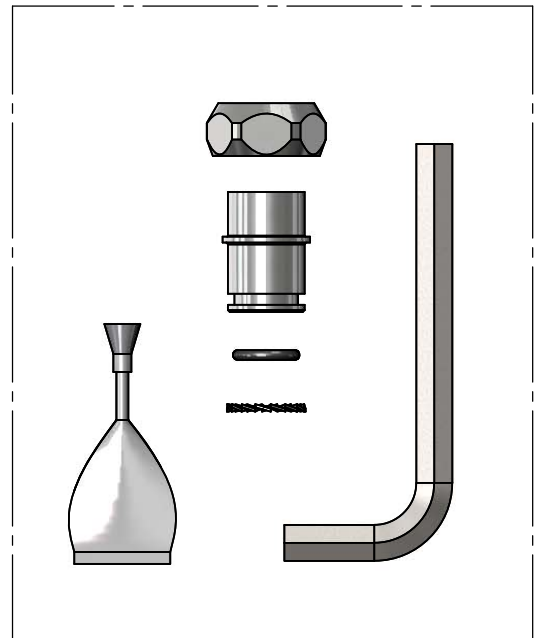
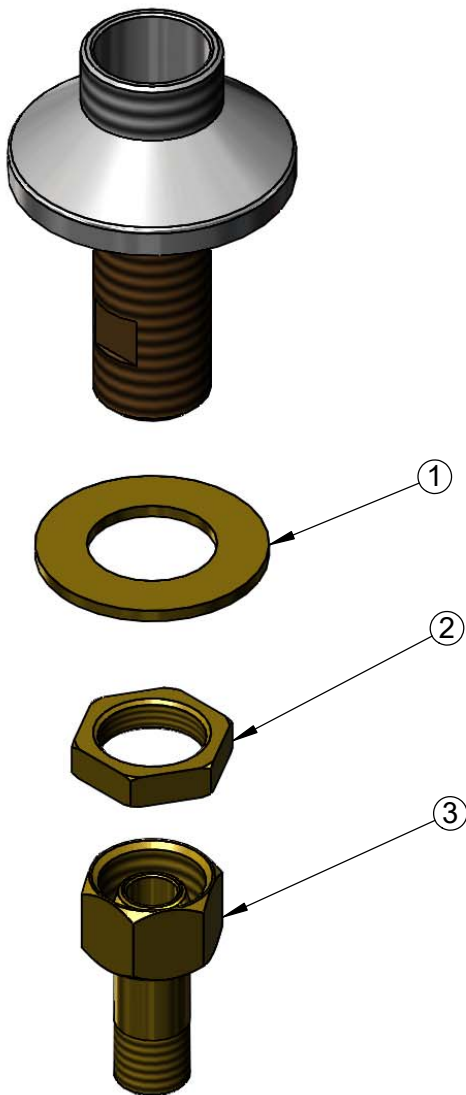
T&S BRASS AND BRONZE WORKS, INC.
 2 Saddleback Cove / P.O. Box 1088
 Travelers Rest, SC 29690

Model No.
B-0430

Item No.

Travelers Rest, SC: 800-476-4103 • Simi Valley, CA: 800-423-0150 • Fax: 864-834-3518 • www.tsbrass.com

ITEM NO.	SALES NO.	DESCRIPTION
1	000999-45	Brass Lock Washer
2	002954-45	Shank Lock Nut
3	150A	1/4" NPT Tailpiece & Nut



EZ-K
 Converts Rigid Outlets to
 EasyInstall for Use with
 T&S Swivel Base Faucets

Product Specifications:
 Ø 2" Swivel Base Flange Accepts Standard T&S Swing Nozzles

Product Compliance:
 ASME A112.18.1 / CSA B125.1
 NSF 61 - Section 9
 NSF 372 (Low Lead Content)