



T&S BRASS AND BRONZE WORKS, INC.
 2 Saddleback Cove / P.O. Box 1088
 Travelers Rest, SC 29690

Model No.

B-0407-02

Item No.

Travelers Rest, SC: 800-476-4103 • Simi Valley, CA: 800-423-0150 • Fax: 864-834-3518 • www.tsbrass.com

This Space for Architect/Engineer Approval

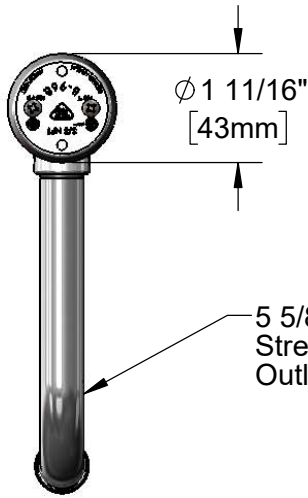
Job Name _____ Date _____

Model Specified _____ Quantity _____

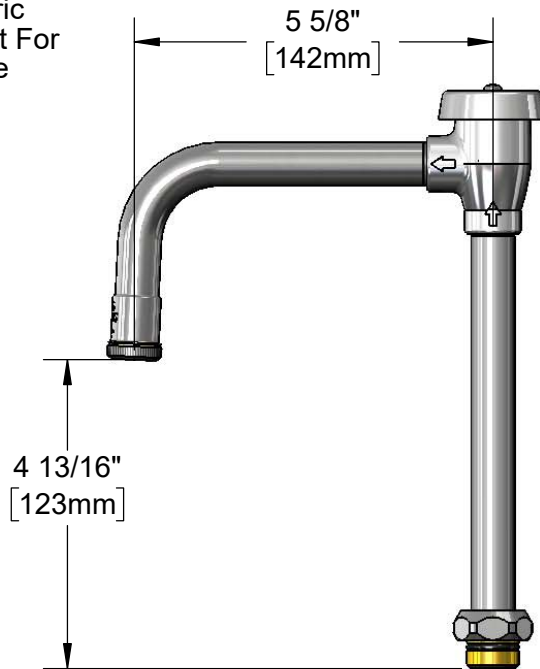
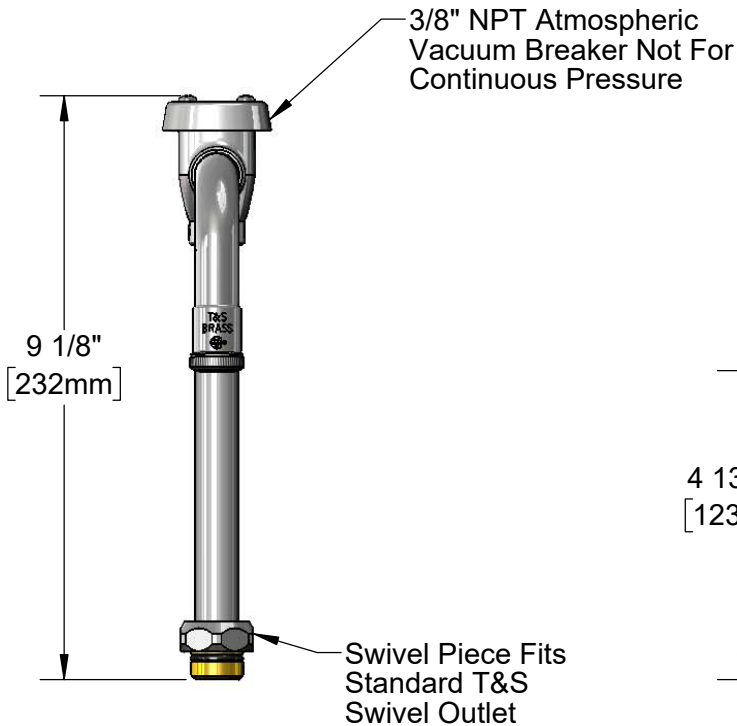
Customer/Wholesaler _____

Contractor _____

Architect/Engineer _____



5 5/8" Nozzle w/
Stream Regulator
Outlet



Product Specifications:
 Vacuum Breaker Swing Nozzle w/ Stream Regulator Outlet and 5 5/8" Spread

Product Compliance:
 ASME A112.18.1 / CSA B125.1
 NSF 61 - Section 9
 NSF 372 (Low Lead Content)
 ASSE 1001 (VB)



T&S BRASS AND BRONZE WORKS, INC.
 2 Saddleback Cove / P.O. Box 1088
 Travelers Rest, SC 29690

Model No.
B-0407-02

Item No.

Travelers Rest, SC: 800-476-4103 • Simi Valley, CA: 800-423-0150 • Fax: 864-834-3518 • www.tsbrass.com

| ITEM NO. | SALES NO. | DESCRIPTION |
|----------|-----------|-------------------------|
| 1 | 001074-45 | O-Ring |
| 2 | 009538-45 | Swivel Washer |
| 3 | B-0968 | 3/8" NPT Vacuum Breaker |
| 4 | 001043-45 | Washer |
| 5 | B-LT | Stream Regulator Outlet |
| 6 | 000387-40 | Nozzle |



Product Specifications:
 Vacuum Breaker Swing Nozzle w/ Stream Regulator Outlet and 5 5/8" Spread

Product Compliance:
 ASME A112.18.1 / CSA B125.1
 NSF 61 - Section 9
 NSF 372 (Low Lead Content)
 ASSE 1001 (VB)