



**T&S BRASS AND BRONZE WORKS, INC.**  
 2 Saddleback Cove / P.O. Box 1088  
 Travelers Rest, SC 29690

Model No.  
**B-0406-02**

Item No.

Travelers Rest, SC: 800-476-4103 • Simi Valley, CA: 800-423-0150 • Fax: 864-834-3518 • www.tsbrass.com

This Space for Architect/Engineer Approval

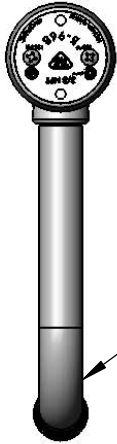
Job Name \_\_\_\_\_ Date \_\_\_\_\_

Model Specified \_\_\_\_\_ Quantity \_\_\_\_\_

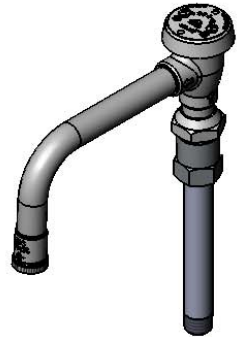
Customer/Wholesaler \_\_\_\_\_

Contractor \_\_\_\_\_

Architect/Engineer \_\_\_\_\_



5 9/16" Nozzle w/  
**B-LT**  
 Stream Regulator  
 Outlet



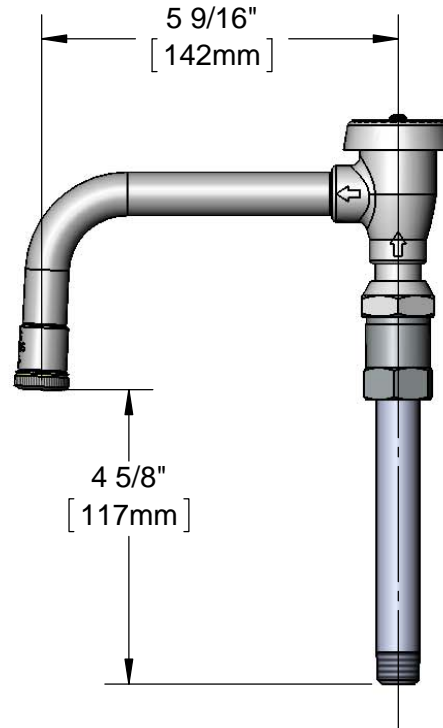
**B-0968**  
 3/8" NPT Atmospheric  
 Vacuum Breaker Not For  
 Continuous Pressure

8 7/8"  
 [226mm]



3/8" NPT x 5" Riser

3/8" NPT  
 Male Inlet



5 9/16"  
 [142mm]

4 5/8"  
 [117mm]

Product Specifications:

3/8" NPT Female Vacuum Breaker Swing Nozzle w/ Stream Regulator Outlet, Rigid To Swivel Adapter, 5 9/16" Spread & 3/8" NPT Inlet

Product Compliance:

ASME A112.18.1 / CSA B125.1  
 NSF 61 - Section 9  
 NSF 372 (Low Lead Content)  
 ASSE 1001 (VB)



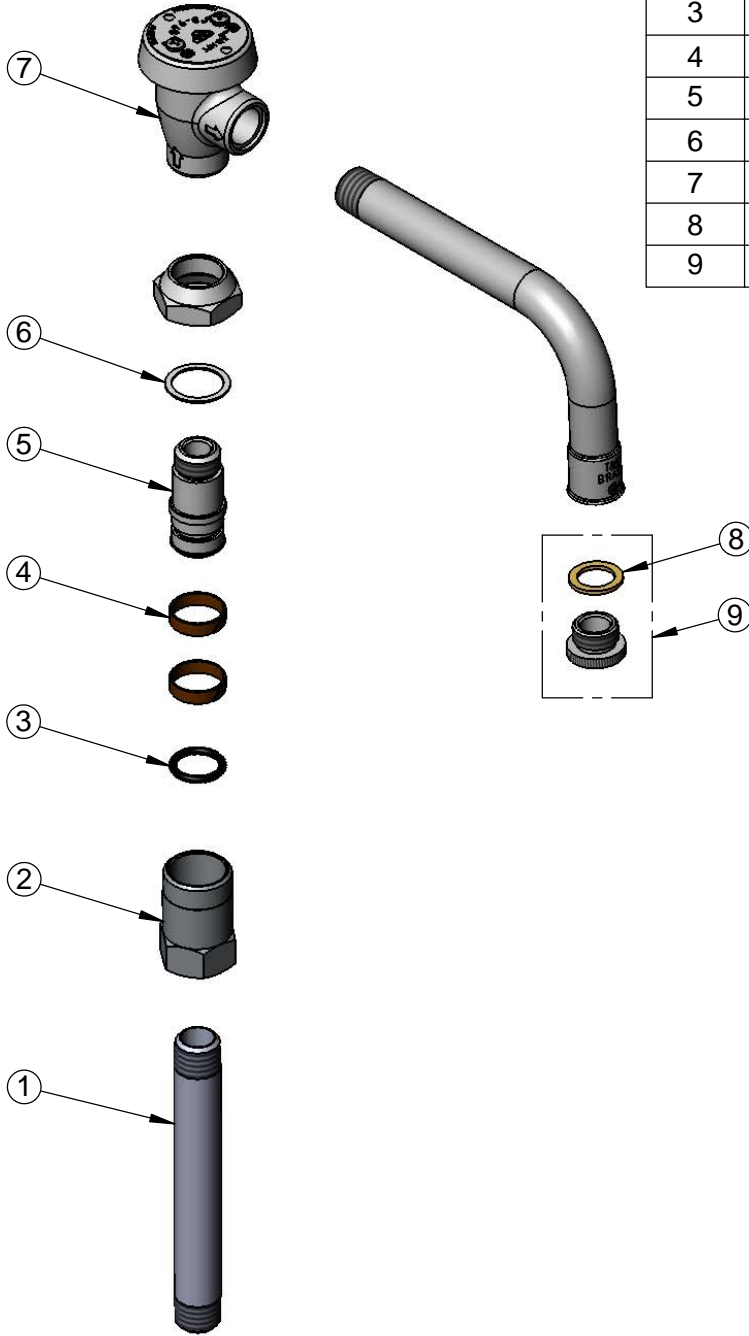
**T&S BRASS AND BRONZE WORKS, INC.**  
 2 Saddleback Cove / P.O. Box 1088  
 Travelers Rest, SC 29690

Model No.  
**B-0406-02**

Item No.

Travelers Rest, SC: 800-476-4103 • Simi Valley, CA: 800-423-0150 • Fax: 864-834-3518 • www.tsbrass.com

ITEM NO.	SALES NO.	DESCRIPTION
1	000361-40	Nipple, 3/8" NPT x 5"
2	054X	Swivel Body
3	001074-45	O-Ring
4	011429-45	Swivel Sleeves (2)
5	000843-25	Swivel Body
6	009E	Plastic Washer
7	B-0968	3/8" NPT Vacuum Breaker
8	001043-45	Washer
9	B-LT	Stream Regulator Outlet



Product Specifications:  
 3/8" NPT Female Vacuum Breaker Swing Nozzle w/ Stream Regulator Outlet,  
 Rigid To Swivel Adapter, 5 9/16" Spread & 3/8" NPT Inlet

Product Compliance:  
 ASME A112.18.1 / CSA B125.1  
 NSF 61 - Section 9  
 NSF 372 (Low Lead Content)  
 ASSE 1001 (VB)