



T&S BRASS AND BRONZE WORKS, INC.
 2 Saddleback Cove / P.O. Box 1088
 Travelers Rest, SC 29690

Model No.
B-0405-03

Item No.

Travelers Rest, SC: 800-476-4103 • Simi Valley, CA: 800-423-0150 • Fax: 864-834-3518 • www.tsbrass.com

This Space for Architect/Engineer Approval

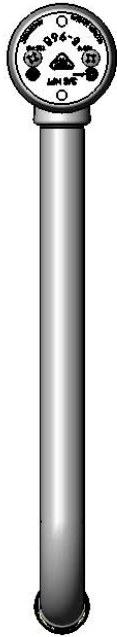
Job Name _____ Date _____

Model Specified _____ Quantity _____

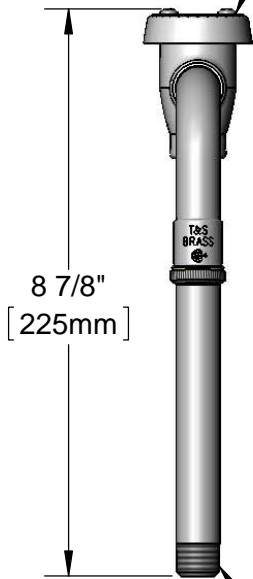
Customer/Wholesaler _____

Contractor _____

Architect/Engineer _____

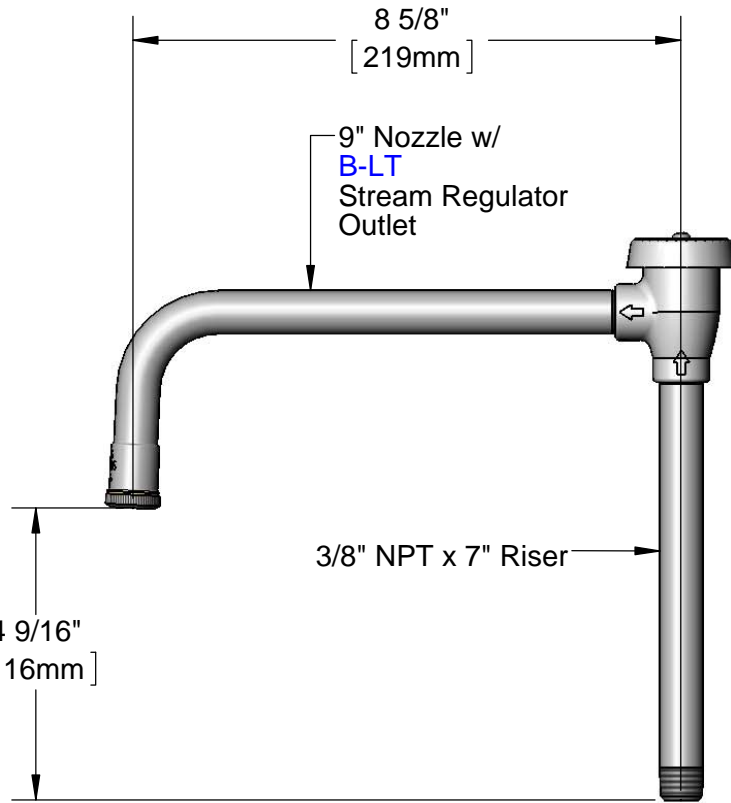


B-0968
 3/8" NPT Atmospheric
 Vacuum Breaker Not For
 Continuous Pressure



8 7/8"
 [225mm]

3/8" NPT
 Male Inlet



8 5/8"
 [219mm]

9" Nozzle w/
B-LT
 Stream Regulator
 Outlet

4 9/16"
 [116mm]

3/8" NPT x 7" Riser

Product Specifications:
 3/8" NPT Female Vacuum Breaker Rigid Nozzle w/ Stream Regulator Outlet,
 8 5/8" Spread & 3/8" NPT Inlet

Product Compliance:
 ASME A112.18.1 / CSA B125.1
 NSF 61 - Section 9
 NSF 372 (Low Lead Content)
 ASSE 1001 (VB)



T&S BRASS AND BRONZE WORKS, INC.

2 Saddleback Cove / P.O. Box 1088
Travelers Rest, SC 29690

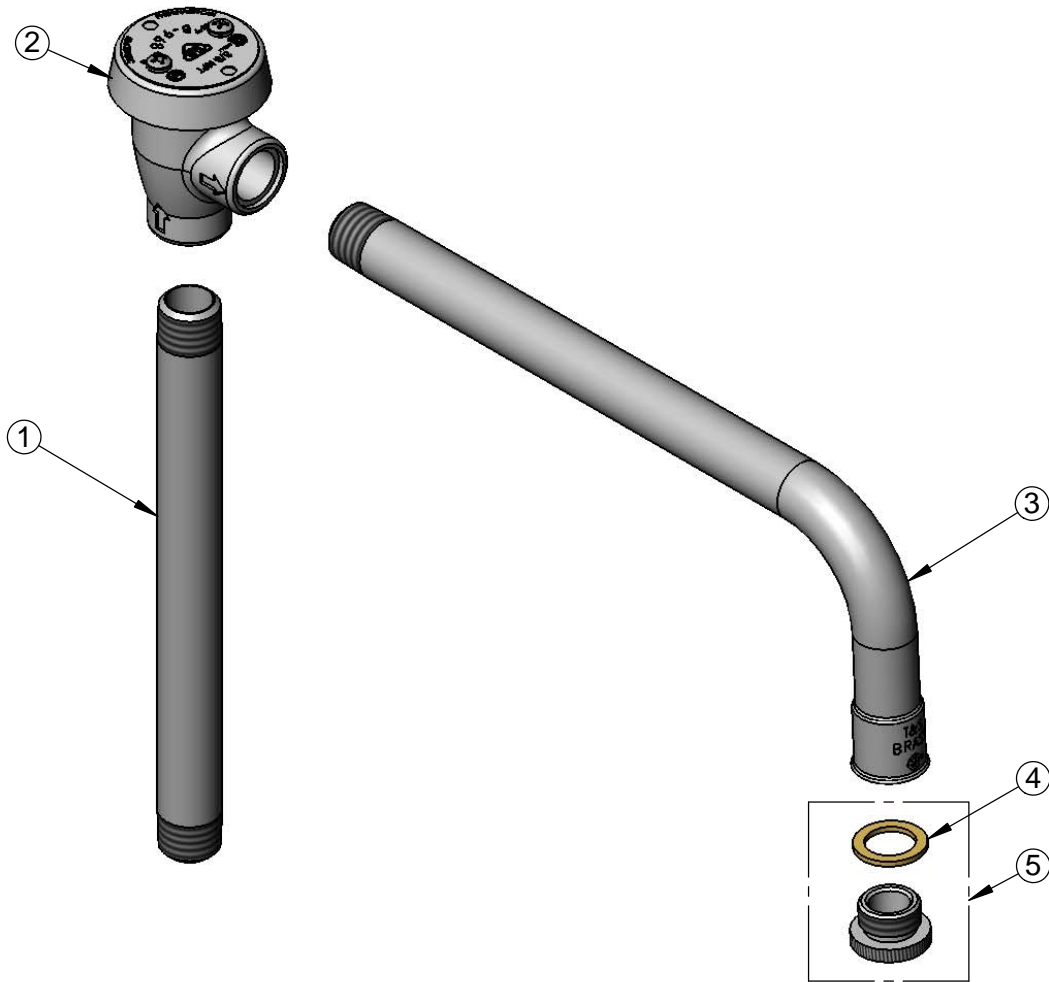
Model No.

B-0405-03

Item No.

Travelers Rest, SC: 800-476-4103 • Simi Valley, CA: 800-423-0150 • Fax: 864-834-3518 • www.tsbrass.com

| ITEM NO. | SALES NO. | DESCRIPTION |
|----------|-----------|-------------------------|
| 1 | 000363-40 | Nipple, 3/8" NPT x 7" |
| 2 | B-0968 | 3/8" NPT Vacuum Breaker |
| 3 | 071X | 9" Nozzle |
| 4 | 001043-45 | Washer |
| 5 | B-LT | Stream Regulator Outlet |



Product Specifications:

3/8" NPT Female Vacuum Breaker Rigid Nozzle w/ Stream Regulator Outlet, 8 5/8" Spread & 3/8" NPT Inlet

Product Compliance:

ASME A112.18.1 / CSA B125.1
NSF 61 - Section 9
NSF 372 (Low Lead Content)
ASSE 1001 (VB)