



**T&S BRASS AND BRONZE WORKS, INC.**  
 2 Saddleback Cove / P.O. Box 1088  
 Travelers Rest, SC 29690

Model No.  
**B-0355**

Item No.

Travelers Rest, SC: 800-476-4103 • Simi Valley, CA: 800-423-0150 • Fax: 864-834-3518 • www.tsbrass.com



**ADA Compliant**

This Space for Architect/Engineer Approval

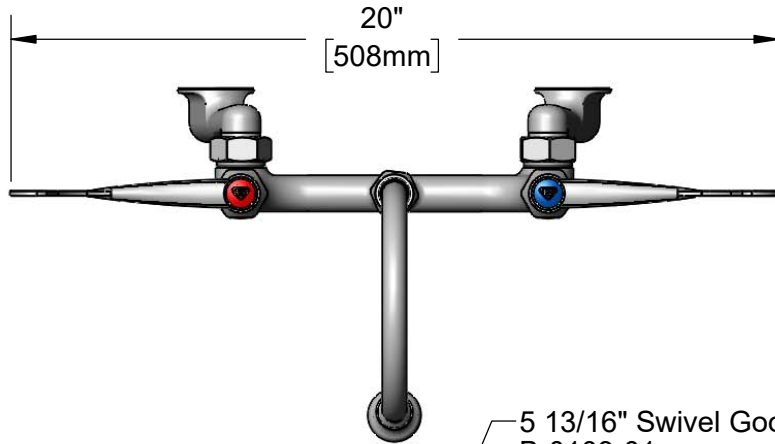
Job Name \_\_\_\_\_ Date \_\_\_\_\_

Model Specified \_\_\_\_\_ Quantity \_\_\_\_\_

Customer/Wholesaler \_\_\_\_\_

Contractor \_\_\_\_\_

Architect/Engineer \_\_\_\_\_



5 13/16" Swivel Gooseneck w/  
 B-0103-01  
 2.2 GPM Rosespray Outlet  
 Converts to Rigid w/  
 014200-45  
 Lock Washer (Included).

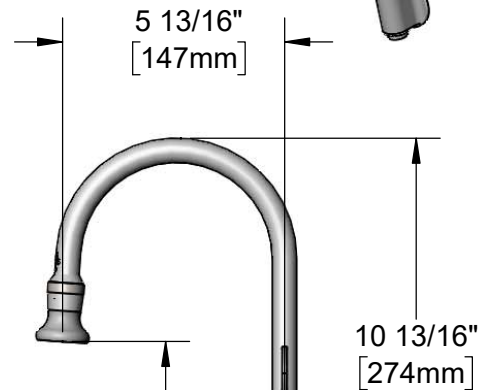
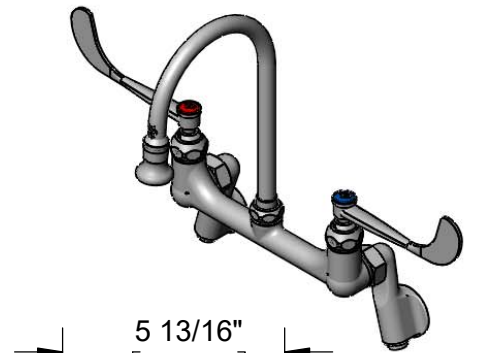
Quarter-Turn Eterna  
 Cartridges w/  
 Spring Checks  
 & 6" Wrist Action  
 Handles w/ Color  
 Coded Indexes



Ø 2" [51mm]  
 Flanges w/  
 1/2" NPT  
 Female Inlets

Inlets Adjustable  
 from 3 1/4" [83mm]  
 to 12 3/4" [324mm]  
 Below or Above  
 Centerline

Built-in  
 Service Stop



5 1/2"  
 [139mm]

2 3/4"  
 [70mm]

Mounting Surface

**Product Specifications:**

8" Wall Mount Mixing Faucet, Quarter-Turn Eterna Cartridges w/  
 Spring Checks, 6" Wrist Action Handles, 5 13/16" Swive/Rigid Gooseneck w/  
 2.2 GPM Rosespray Outlet & 1/2" NPT Adjustable Arm w/ Female Inlets

**Product Compliance:**

ASME A112.18.1 / CSA B125.1  
 NSF 61 - Section 9  
 NSF 372 (Low Lead Content)  
 ANSI A117.1 (ADA)



# T&S BRASS AND BRONZE WORKS, INC.

2 Saddleback Cove / P.O. Box 1088  
Travelers Rest, SC 29690

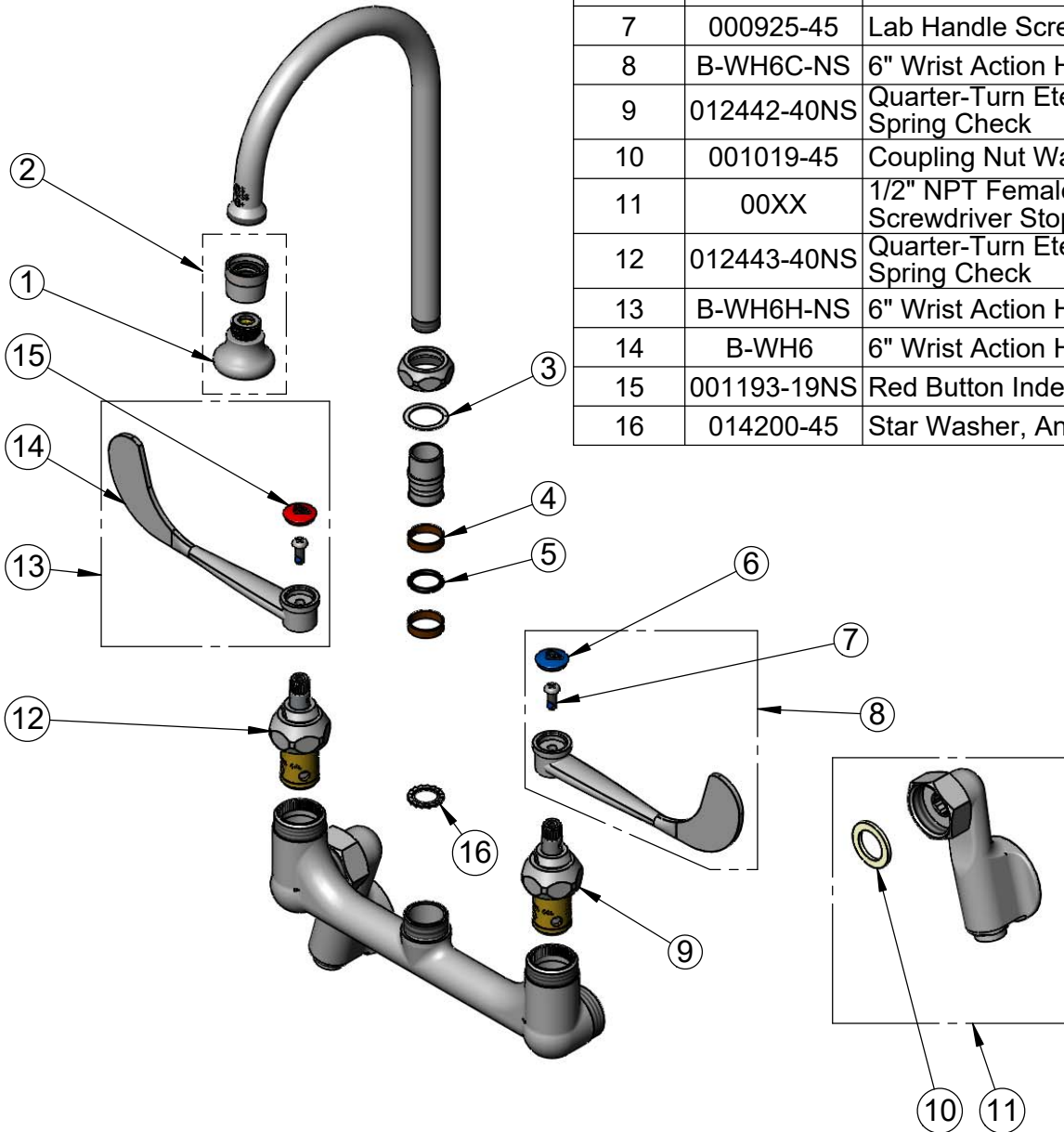
Model No.

**B-0355**

Item No.

Travelers Rest, SC: 800-476-4103 • Simi Valley, CA: 800-423-0150 • Fax: 864-834-3518 • www.tsbrass.com

ITEM NO.	SALES NO.	DESCRIPTION
1	B-0103	2.2 GPM Rosespray, 3/8" NPT Male
2	B-0103-01	2.2 GPM Rosespray, 55/64-27 UN Female
3	009538-45	Swivel Washer
4	011429-45	Swivel Sleeves (2)
5	001074-45	O-Ring
6	018506-19NS	Blue Button Index, Press-in
7	000925-45	Lab Handle Screw
8	B-WH6C-NS	6" Wrist Action Handle, Blue Index & Screw
9	012442-40NS	Quarter-Turn Eterna Cartridge, LTC w/ Spring Check
10	001019-45	Coupling Nut Washer
11	00XX	1/2" NPT Female Adjustment Arm Inlet w/ Screwdriver Stop
12	012443-40NS	Quarter-Turn Eterna Cartridge, RTC w/ Spring Check
13	B-WH6H-NS	6" Wrist Action Handle, Red Index & Screw
14	B-WH6	6" Wrist Action Handle
15	001193-19NS	Red Button Index, Press-in
16	014200-45	Star Washer, Anti-Rotation



**Product Specifications:**  
8" Wall Mount Mixing Faucet, Quarter-Turn Eterna Cartridges w/ Spring Checks, 6" Wrist Action Handles, 5 13/16" Swive/Rigid Gooseneck w/ 2.2 GPM Rosespray Outlet & 1/2" NPT Adjustable Arm w/ Female Inlets

**Product Compliance:**  
ASME A112.18.1 / CSA B125.1  
NSF 61 - Section 9  
NSF 372 (Low Lead Content)  
ANSI A117.1 (ADA)