



# T&S BRASS AND BRONZE WORKS, INC.

2 Saddleback Cove / P.O. Box 1088  
Travelers Rest, SC 29690

Model No.

**B-0355-04**

Item No.

Travelers Rest, SC: 800-476-4103 • Simi Valley, CA: 800-423-0150 • Fax: 864-834-3518 • www.tsbrass.com



**ADA Compliant**

This Space for Architect/Engineer Approval

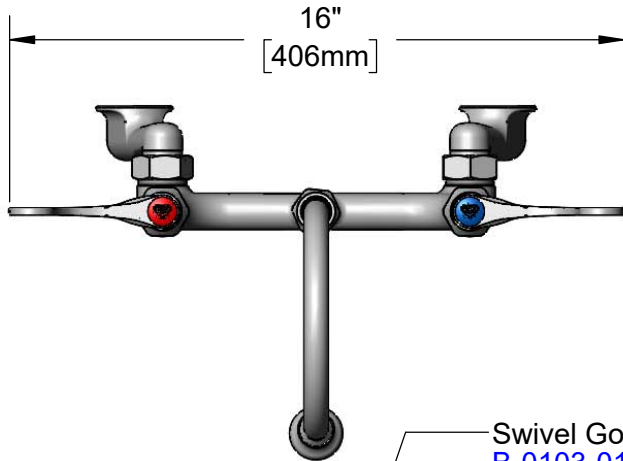
Job Name \_\_\_\_\_ Date \_\_\_\_\_

Model Specified \_\_\_\_\_ Quantity \_\_\_\_\_

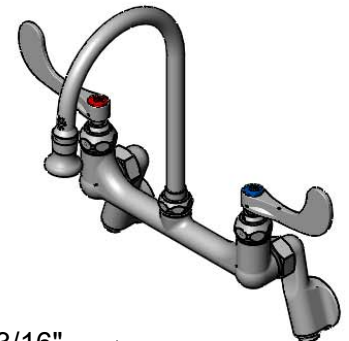
Customer/Wholesaler \_\_\_\_\_

Contractor \_\_\_\_\_

Architect/Engineer \_\_\_\_\_

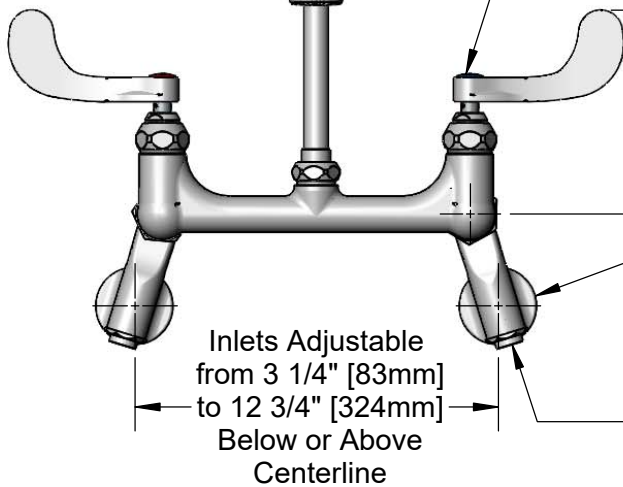


16"  
[406mm]



Swivel Gooseneck w/  
B-0103-01  
2.2 GPM Rosespray Outlet  
Converts to Rigid w/  
014200-45  
Lock Washer (Included).

Quarter-Turn Eterna  
Cartridges w/  
Spring Checks  
& 4" Wrist Action  
Handles w/ Color  
Coded Indexes

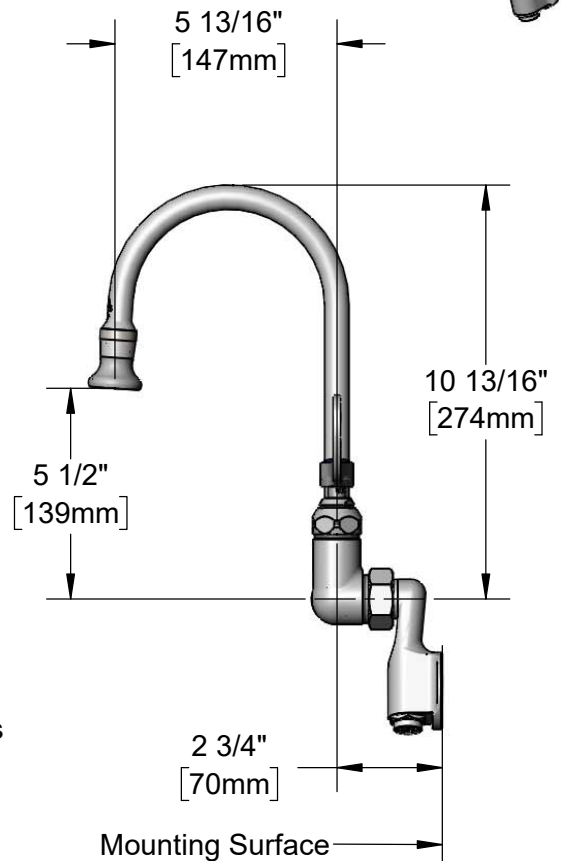


5 5/16"  
[135mm]

Inlets Adjustable  
from 3 1/4" [83mm]  
to 12 3/4" [324mm]  
Below or Above  
Centerline

Ø 2" [51mm]  
Flanges w/  
1/2" NPT  
Female Inlets

Built-in  
Service Stop



5 13/16"  
[147mm]

10 13/16"  
[274mm]

5 1/2"  
[139mm]

2 3/4"  
[70mm]

Mounting Surface

### Product Specifications:

8" Wall Mount Mixing Faucet, Quarter-Turn Eterna Cartridges w/ Spring Checks, 4" Wrist Action Handles, 5 13/16" Swivel/Rigid Gooseneck w/ 2.2 GPM Rosespray Outlet & 1/2" NPT Adjustable Arm w/ Female Inlets

### Product Compliance:

ASME A112.18.1 / CSA B125.1  
NSF 61 - Section 9  
NSF 372 (Low Lead Content)  
ANSI A117.1 (ADA)



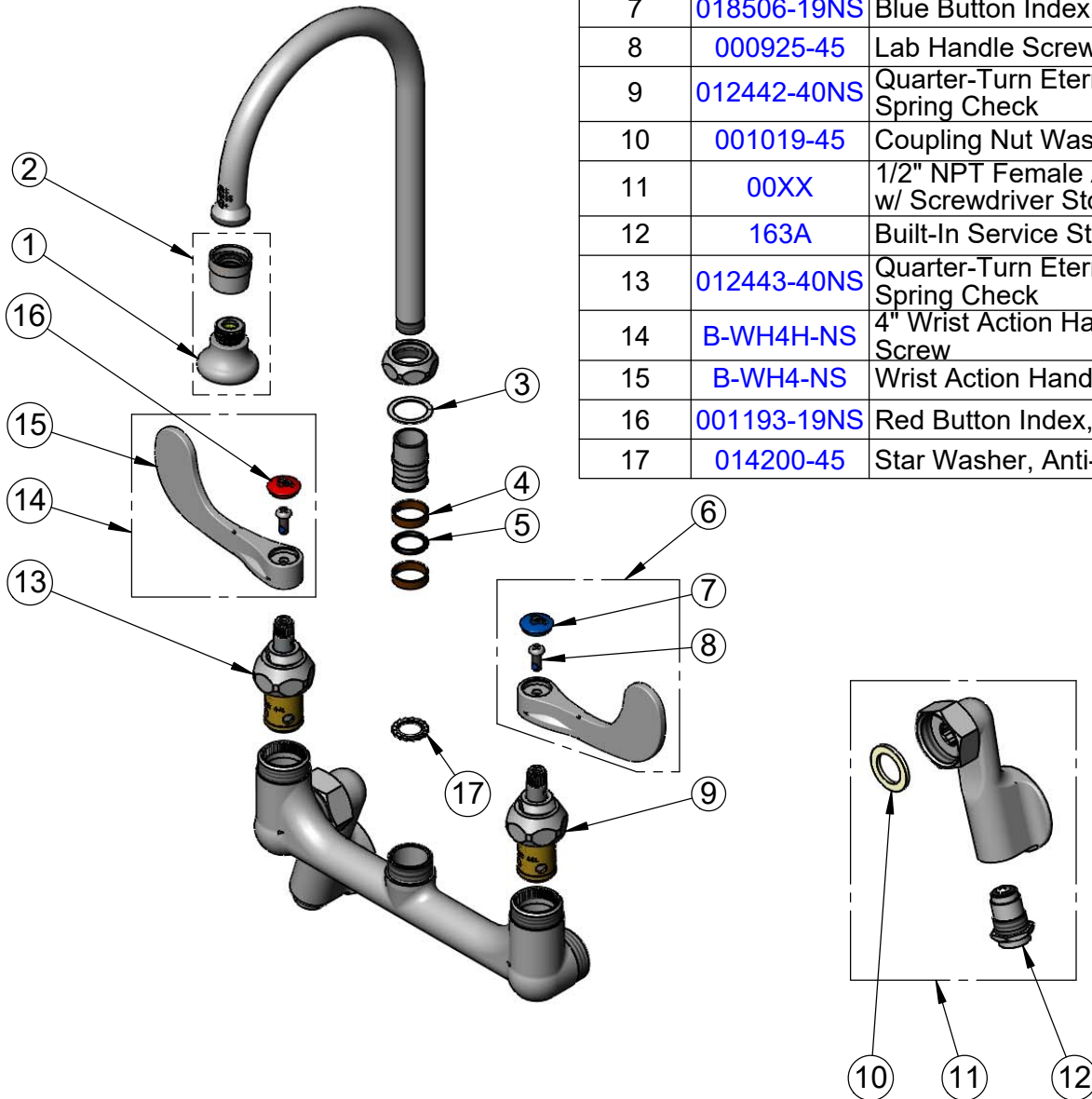
**T&S BRASS AND BRONZE WORKS, INC.**  
 2 Saddleback Cove / P.O. Box 1088  
 Travelers Rest, SC 29690

Model No.  
**B-0355-04**

Item No.

Travelers Rest, SC: 800-476-4103 • Simi Valley, CA: 800-423-0150 • Fax: 864-834-3518 • www.tsbrass.com

ITEM NO.	SALES NO.	DESCRIPTION
1	B-0103	2.2 GPM Rosespray, 3/8" NPT Male
2	B-0103-01	2.2 GPM Rosespray, 55/64-27 UN Female
3	009538-45	Swivel Washer
4	011429-45	Swivel Sleeves (2)
5	001074-45	O-Ring
6	B-WH4C-NS	4" Wrist Action Handle, Blue Index & Screw
7	018506-19NS	Blue Button Index, Press-in
8	000925-45	Lab Handle Screw
9	012442-40NS	Quarter-Turn Eterna Cartridge, LTC w/ Spring Check
10	001019-45	Coupling Nut Washer
11	00XX	1/2" NPT Female Adjustment Arm Inlet w/ Screwdriver Stop
12	163A	Built-In Service Stop
13	012443-40NS	Quarter-Turn Eterna Cartridge, RTC w/ Spring Check
14	B-WH4H-NS	4" Wrist Action Handle, Blue Index & Screw
15	B-WH4-NS	Wrist Action Handle - New Style
16	001193-19NS	Red Button Index, Press-in
17	014200-45	Star Washer, Anti-Rotation



**Product Specifications:**

8" Wall Mount Mixing Faucet, Quarter-Turn Eterna Cartridges w/ Spring Checks, 4" Wrist Action Handles, 5 13/16" Swivel/Rigid Gooseneck w/ 2.2 GPM Rosespray Outlet & 1/2" NPT Adjustable Arm w/ Female Inlets

**Product Compliance:**

ASME A112.18.1 / CSA B125.1  
 NSF 61 - Section 9  
 NSF 372 (Low Lead Content)  
 ANSI A117.1 (ADA)