



T&S BRASS AND BRONZE WORKS, INC.

2 Saddleback Cove / P.O. Box 1088
Travelers Rest, SC 29690

Model No.

B-0341-CCC

Item No.

Travelers Rest, SC: 800-476-4103 • Simi Valley, CA: 800-423-0150 • Fax: 864-834-3518 • www.tsbrass.com



ADA Compliant

This Space for Architect/Engineer Approval

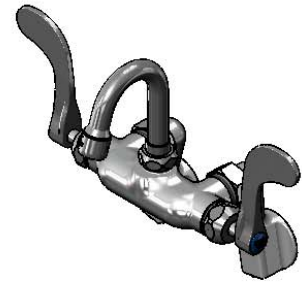
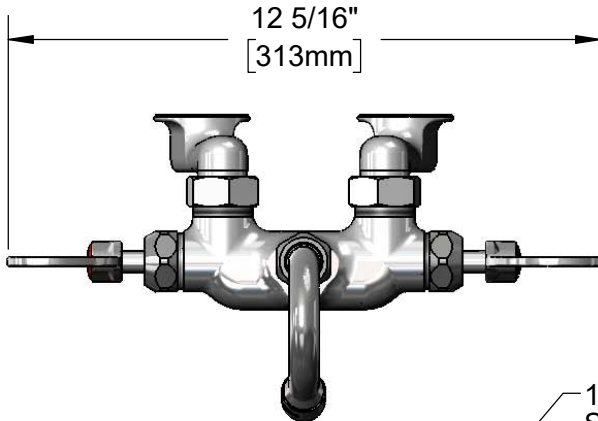
Job Name _____ Date _____

Model Specified _____ Quantity _____

Customer/Wholesaler _____

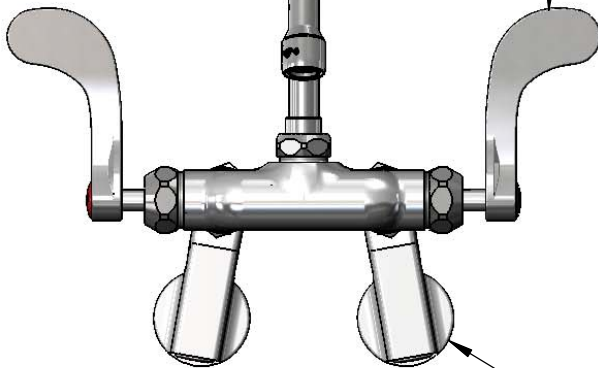
Contractor _____

Architect/Engineer _____



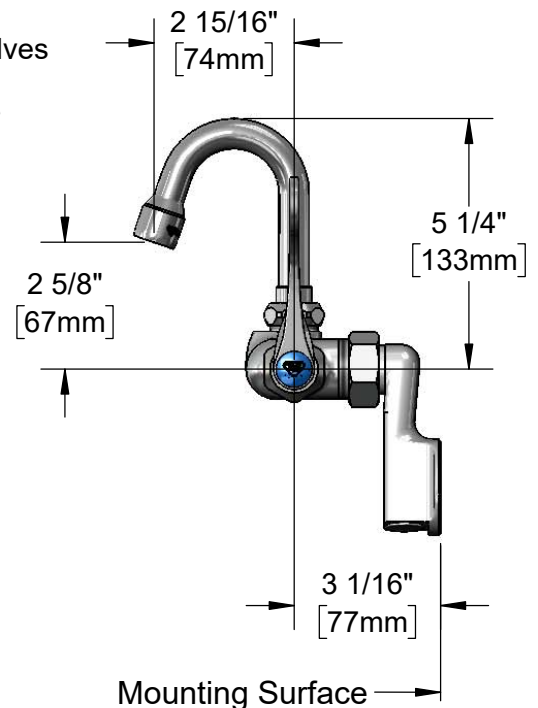
131X Swivel Gooseneck w/ Stream Regulator Outlet. Converts to Rigid w/ 014200-45 Lock Washer (Included)

Quarter-Turn Cerama Cartridges w/ Check Valves & Wrist Action Handles w/ Color Coded Indexes



Adjustable from 2 1/4" to 8 1/4" [57mm to 210mm] Above or Below Centerline

Ø 2" [51mm] Wall Flanges w/ 1/2" NPT Female Inlets



Product Specifications:

Wall Mounted Faucet, Quarter-Turn Cerama Cartridges w/ Check Valves, Swivel Gooseneck w/ Stream Regulator Outlet, Wrist Action Handles & 1/2" NPT Female Adjustable Arm Inlets

Product Compliance:

ASME A112.18.1 / CSA B125.1
NSF 61 - Section 9
NSF 372 (Low Lead Content)
ANSI A117.1 (ADA)



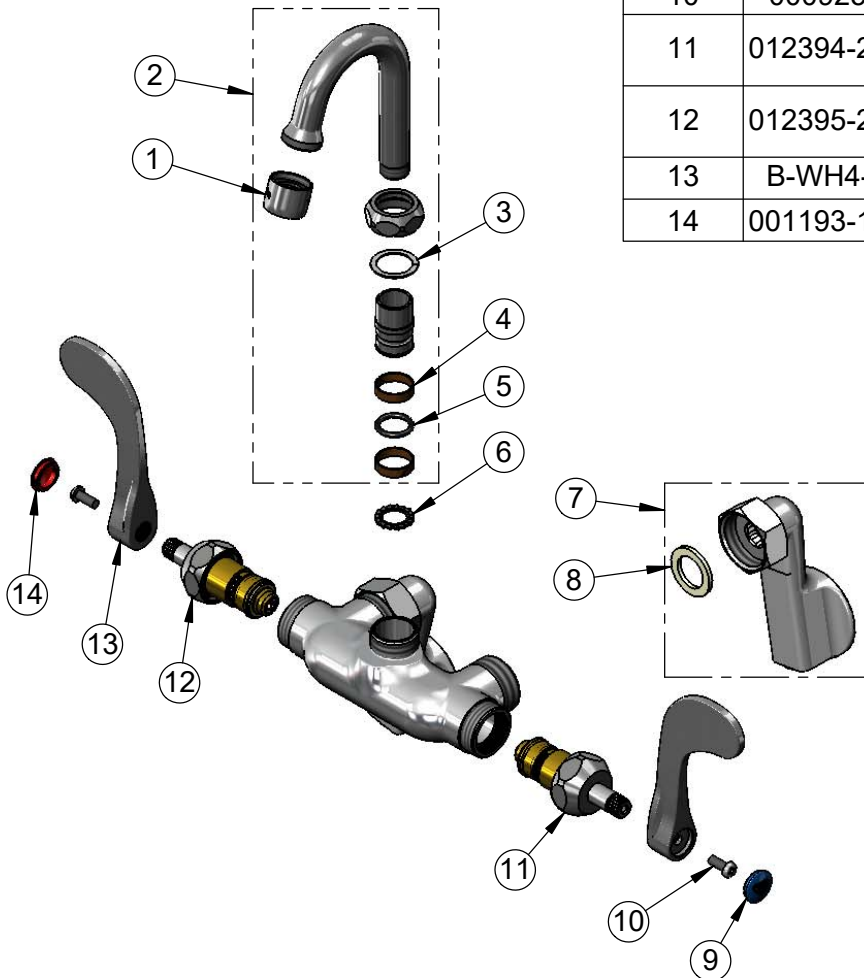
T&S BRASS AND BRONZE WORKS, INC.
 2 Saddleback Cove / P.O. Box 1088
 Travelers Rest, SC 29690

Model No.
B-0341-CCC

Item No.

Travelers Rest, SC: 800-476-4103 • Simi Valley, CA: 800-423-0150 • Fax: 864-834-3518 • www.tsbrass.com

ITEM NO.	SALES NO.	DESCRIPTION
1	B-PT	Full Flow Stream Regulator, 55/64-27
2	131X	2 15/16" Swivel Gooseneck
3	009538-45	Swivel Washer
4	011429-45	Swivel Sleeves (2)
5	001074-45	O-Ring
6	014200-45	Star Washer, Anti-Rotation
7	00GG	1/2" NPT Female Adjustable Arm Flange
8	001019-45	Coupling Nut Washer
9	018506-19NS	Blue Button Index, Press-in
10	000925-45	Lab Handle Screw
11	012394-25NS	Quarter-Turn Cerama Cartridge w/ Check Valve, RTC
12	012395-25NS	Quarter-Turn Cerama Cartridge w/ Check Valve, LTC
13	B-WH4-NS	Wrist Action Handle (New Style)
14	001193-19NS	Red Button Index, Press-in



Product Specifications:
 Wall Mounted Faucet, Quarter-Turn Cerama Cartridges w/ Check Valves,
 Swivel Gooseneck w/ Stream Regulator Outlet, Wrist Action Handles &
 1/2" NPT Female Adjustable Arm Inlets

Product Compliance:
 ASME A112.18.1 / CSA B125.1
 NSF 61 - Section 9
 NSF 372 (Low Lead Content)
 ANSI A117.1 (ADA)