



**T&S BRASS AND BRONZE WORKS, INC.**  
 2 Saddleback Cove / P.O. Box 1088  
 Travelers Rest, SC 29690

Model No.  
**B-0330-LN**

Item No.

Travelers Rest, SC: 800-476-4103 • Simi Valley, CA: 800-423-0150 • Fax: 864-834-3518 • www.tsbrass.com



**ADA Compliant**

This Space for Architect/Engineer Approval

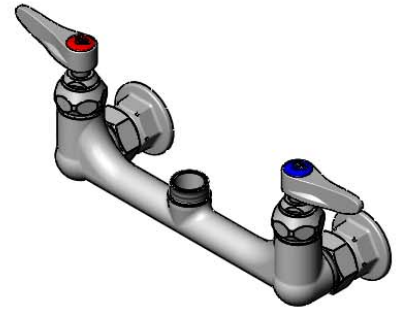
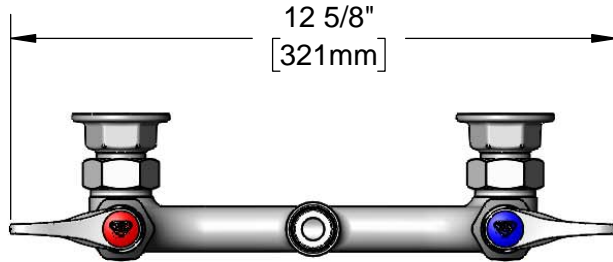
Job Name \_\_\_\_\_ Date \_\_\_\_\_

Model Specified \_\_\_\_\_ Quantity \_\_\_\_\_

Customer/Wholesaler \_\_\_\_\_

Contractor \_\_\_\_\_

Architect/Engineer \_\_\_\_\_

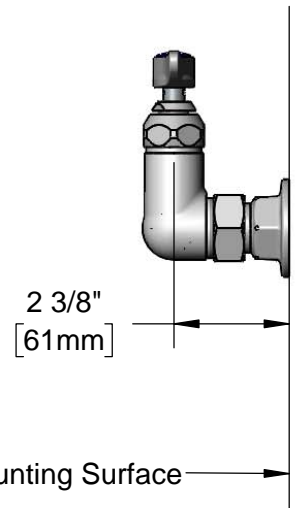
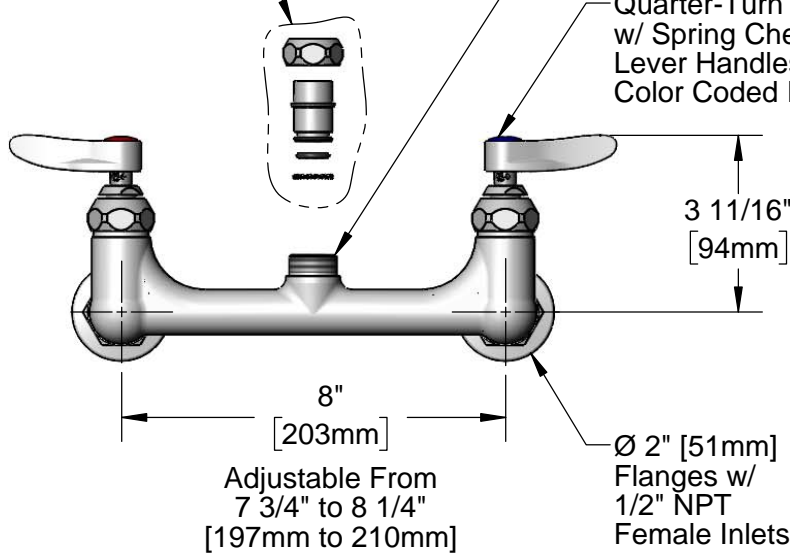


**EZ-K**

EasyInstall Kit  
 Converts Rigid Risers &  
 Nozzles For Use with  
 Swivel Outlet (Included)

Swivel Outlet Accepts  
 Standard T&S Swing Nozzles  
 and EasyInstall Risers.

Quarter-Turn Eterna Cartridges  
 w/ Spring Checks &  
 Lever Handles w/  
 Color Coded Indexes



**Product Specifications:**

8" Wall Mount Mixing Faucet, Quarter-Turn Eterna Cartridges w/ Spring Checks, Lever Handles & 1/2" NPT Female Inlets, Less Nozzle

**Product Compliance:**

ASME A112.18.1 / CSA B125.1  
 NSF 61 - Section 9  
 NSF 372 (Low Lead Content)  
 ANSI A117.1 (ADA)



# T&S BRASS AND BRONZE WORKS, INC.

2 Saddleback Cove / P.O. Box 1088  
Travelers Rest, SC 29690

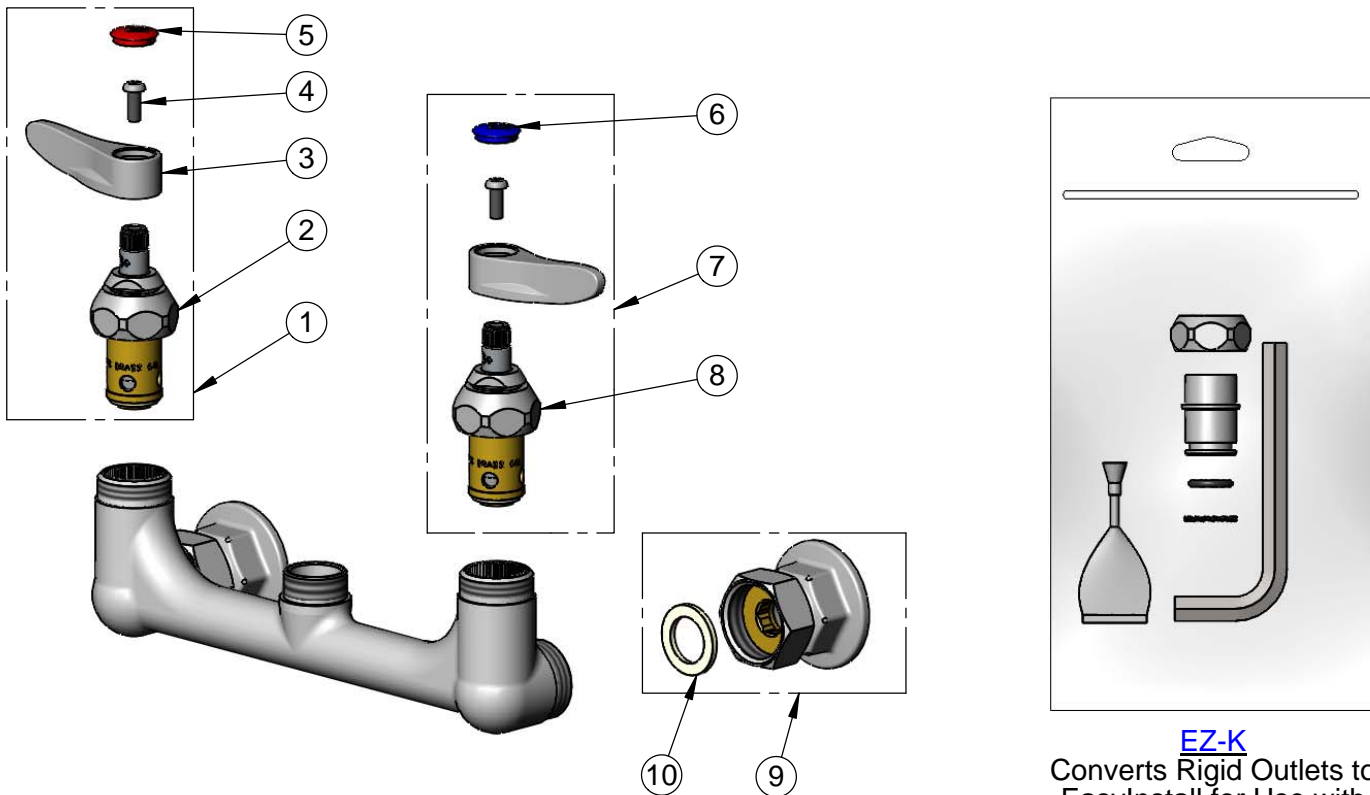
Model No.

**B-0330-LN**

Item No.

Travelers Rest, SC: 800-476-4103 • Simi Valley, CA: 800-423-0150 • Fax: 864-834-3518 • www.tsbrass.com

| ITEM NO. | SALES NO.   | DESCRIPTION  |
|----------|-------------|--|
| 1        | 002712-40NS | Quarter-Turn Eterna Cartridge, RTC w/ Spring Check, Handle, Red Index & Screw  |
| 2        | 012443-40NS | Quarter-Turn Eterna Cartridge, RTC w/ Spring Check                             |
| 3        | 001638-45NS | Lever Handle (New Style)   |
| 4        | 000925-45   | Lab Handle Screw   |
| 5        | 001193-19NS | Red Button Index, Press-in   |
| 6        | 018506-19NS | Blue Button Index, Press-in  |
| 7        | 002711-40NS | Quarter-Turn Eterna Cartridge, LTC w/ Spring Check, Handle, Blue Index & Screw |
| 8        | 012442-40NS | Quarter-Turn Eterna Cartridge, LTC w/ Spring Check                             |
| 9        | 00AA        | 1/2" NPT Female Eccentric Flange   |
| 10       | 001019-45   | Coupling Nut Washer  |



**EZ-K**  
Converts Rigid Outlets to EasyInstall for Use with T&S Swivel Base Faucets

**Product Specifications:**

8" Wall Mount Mixing Faucet, Quarter-Turn Eterna Cartridges w/ Spring Checks, Lever Handles & 1/2" NPT Female Inlets, Less Nozzle

**Product Compliance:**

ASME A112.18.1 / CSA B125.1  
NSF 61 - Section 9  
NSF 372 (Low Lead Content)  
ANSI A117.1 (ADA)