



T&S BRASS AND BRONZE WORKS, INC.

2 Saddleback Cove / P.O. Box 1088
Travelers Rest, SC 29690

Model No.

B-0328-CR-VF05

Item No.

Travelers Rest, SC: 800-476-4103 • Simi Valley, CA: 800-423-0150 • Fax: 864-834-3518 • www.tsbrass.com



ADA Compliant

This Space for Architect/Engineer Approval

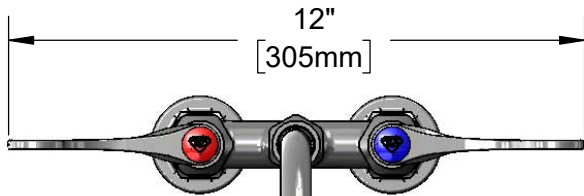
Job Name _____ Date _____

Model Specified _____ Quantity _____

Customer/Wholesaler _____

Contractor _____

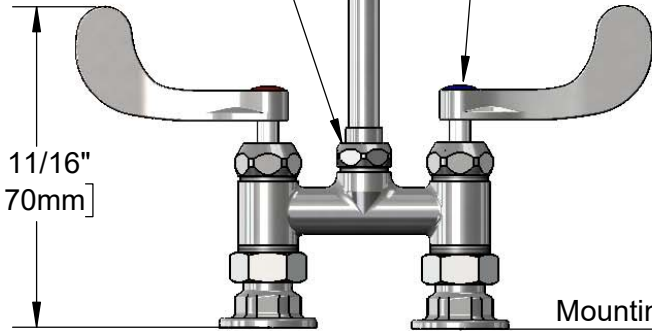
Architect/Engineer _____



5 3/4" Swivel
Gooseneck w/
B-0199-06-N05
VR 0.5 GPM Non-Aerated
Spray Device Outlet.
Rigid Conversion Requires
014200-45 Lock Washer
(Included)

Quarter-Turn
Cerama Cartridges w/
Check Valves &
4" Wrist Action Handles
w/ Color Coded Indexes

Swivel Joint



6 11/16"
[170mm]

13 5/16"
[338mm]

8 7/8"
[225mm]

Mounting Surface

4"
[102mm]

Adjustable from
3 3/4" to 4 1/4"
[95mm to 108mm]

Ø 2" [51mm]
Flanges w/
1/2" NPT
Female Inlets

Product Specifications:

4" Deck Mount Mixing Faucet, Quarter-Turn Cerama Cartridges w/ Check Valves, Wrist Action Handles, 5 3/4" Swivel/Rigid Gooseneck w/ 0.5 GPM Non-Aerated VR Outlet Device & 1/2" NPT Female Inlets

Product Compliance:

ASME A112.18.1 / CSA B125.1
NSF 61 - Section 9
NSF 372 (Low Lead Content)
ANSI A117.1 (ADA)

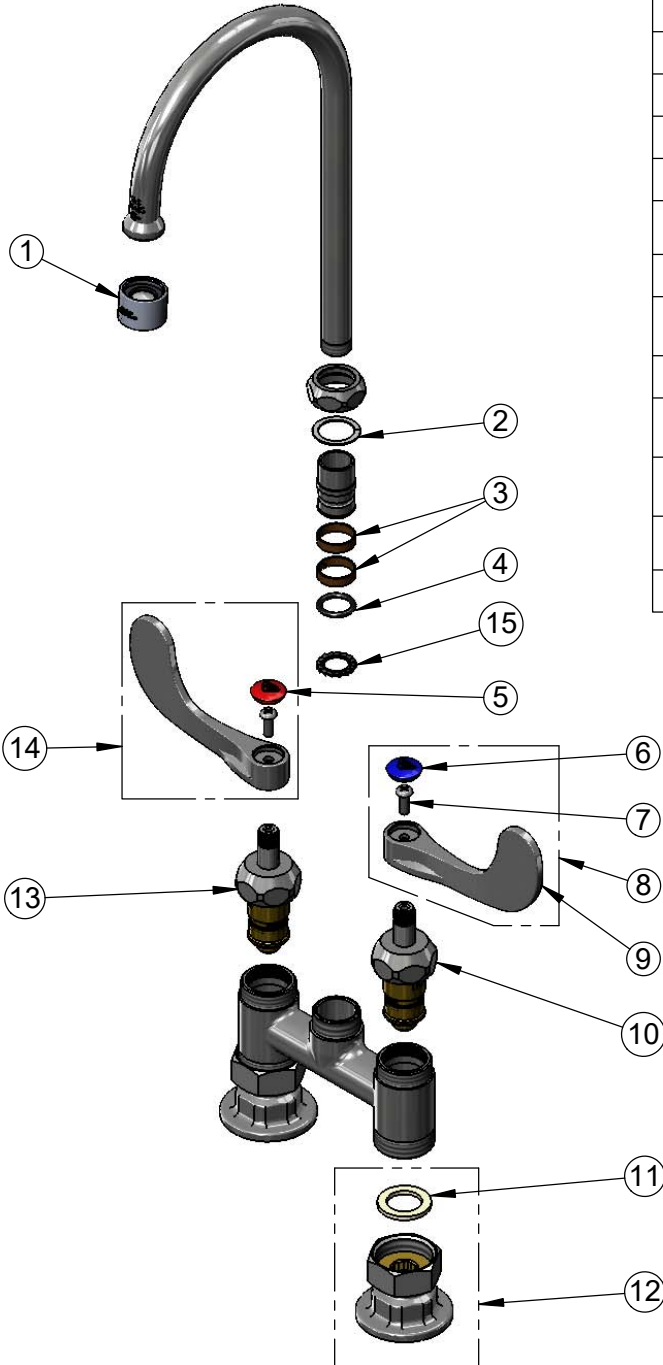


T&S BRASS AND BRONZE WORKS, INC.
 2 Saddleback Cove / P.O. Box 1088
 Travelers Rest, SC 29690

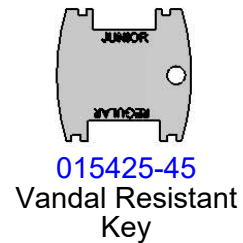
Model No.
B-0328-CR-VF05

Item No.

Travelers Rest, SC: 800-476-4103 • Simi Valley, CA: 800-423-0150 • Fax: 864-834-3518 • www.tsbrass.com



ITEM NO.	SALES NO.	DESCRIPTION
1	B-0199-06-N05	0.5 GPM VR Non-Aerated Spray Device, 55/64-27 Female
2	009538-45	Swivel Washer
3	011429-45	Swivel Sleeves (2)
4	001074-45	O-Ring
5	001193-19NS	Red Button Index, Press-in
6	018506-19NS	Blue Button Index, Press-in
7	000925-45	Lab Handle Screw
8	B-WH4C-NS	Wrist Action Handle, Blue Index & Screw
9	B-WH4-NS	Wrist Action Handle (New Style)
10	012395-25NS	Quarter-Turn Cerama Cartridge w/ Check Valve, LTC
11	001019-45	Coupling Nut Washer
12	00AA	1/2" NPT Female Eccentric Flange
13	012394-25NS	Quarter-Turn Cerama Cartridge w/ Check Valve, RTC
14	B-WH4H-NS	Wrist Action Handle, Red Index & Screw
15	014200-45	Star Washer, Anti-Rotation



Product Specifications:
 4" Deck Mount Mixing Faucet, Quarter-Turn Cerama Cartridges w/ Check Valves, Wrist Action Handles, 5 3/4" Swivel/Rigid Gooseneck w/ 0.5 GPM Non-Aerated VR Outlet Device & 1/2" NPT Female Inlets

Product Compliance:
 ASME A112.18.1 / CSA B125.1
 NSF 61 - Section 9
 NSF 372 (Low Lead Content)
 ANSI A117.1 (ADA)