



# T&S BRASS AND BRONZE WORKS, INC.

2 Saddleback Cove / P.O. Box 1088  
Travelers Rest, SC 29690

Model No.

**B-0324-129X**

Item No.

Travelers Rest, SC: 800-476-4103 • Simi Valley, CA: 800-423-0150 • Fax: 864-834-3518 • www.tsbrass.com



**ADA Compliant**

This Space for Architect/Engineer Approval

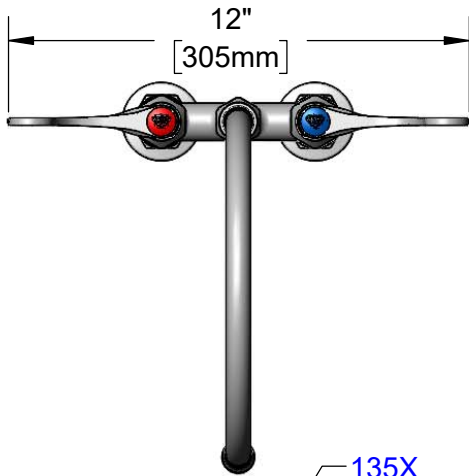
Job Name \_\_\_\_\_ Date \_\_\_\_\_

Model Specified \_\_\_\_\_ Quantity \_\_\_\_\_

Customer/Wholesaler \_\_\_\_\_

Contractor \_\_\_\_\_

Architect/Engineer \_\_\_\_\_



**135X**  
8 3/4" Swivel/Rigid  
Gooseneck w/ Stream  
Regulator Outlet.  
Rigid Conversion Requires  
**014200-45** Lock Washer  
(Included)

Quarter-Turn  
Eterna Cartridges w/  
Spring Checks &  
4" Wrist Action Handles  
w/ Color Coded Indexes

Swivel Joint

6 3/4"  
[172mm]

15"  
[381mm]

8 13/16"  
[223mm]

8 3/4"  
[222mm]

Mounting Surface

4"  
[102mm]  
Adjustable from  
3 3/4" to 4 1/4"  
[95mm to 108mm]

Ø 2" [51mm]  
Flanges w/  
1/2" NPT  
Female Inlets

### Product Specifications:

4" Deck Mount Mixing Faucet, Quarter-Turn Eterna Cartridges w/ Spring Checks, Wrist Action Handles, 8 3/4" Swivel/Rigid Gooseneck w/ Stream Regulator Outlet & 1/2" NPT Female Inlets

### Product Compliance:

ASME A112.18.1 / CSA B125.1  
NSF 61 - Section 9  
NSF 372 (Low Lead Content)  
ANSI A117.1 (ADA)



**T&S BRASS AND BRONZE WORKS, INC.**  
 2 Saddleback Cove / P.O. Box 1088  
 Travelers Rest, SC 29690

Model No.  
**B-0324-129X**

Item No.

Travelers Rest, SC: 800-476-4103 • Simi Valley, CA: 800-423-0150 • Fax: 864-834-3518 • www.tsbrass.com

ITEM NO.	SALES NO.	DESCRIPTION
1	B-LT	Stream Regulator Outlet
2	001043-45	Washer
3	020205-40	Adapter, 5/8-27 UN x 3/8-18 NPSM
4	135X	8 3/4" SwivelRigid Gooseneck
5	009538-45	Swivel Washer
6	011429-45	Swivel Sleeves (2)
7	001074-45	O-Ring
8	001193-19NS	Red Button Index, Press-in
9	018506-19NS	Blue Button Index, Press-in
10	000925-45	Lab Handle Screw
11	B-WH4C-NS	Wrist Action Handle, Blue Index & Screw
12	B-WH4-NS	Wrist Action Handle - New Style
13	012442-40NS	Quarter-Turn Eterna Cartridge w/ Spring Check, LTC
14	001019-45	Coupling Nut Washer
15	00AA	1/2" NPT Female Eccentric Flange
16	012443-40NS	Quarter-Turn Eterna Cartridge w/ Spring Check, RTC
17	B-WH4H-NS	Wrist Action Handle, Red Index & Screw
18	014200-45	Star Washer, Anti-Rotation

**Product Specifications:**  
 4" Deck Mount Mixing Faucet, Quarter-Turn Eterna Cartridges w/ Spring Checks, Wrist Action Handles, 8 3/4" Swivel/Rigid Gooseneck w/ Stream Regulator Outlet & 1/2" NPT Female Inlets

**Product Compliance:**  
 ASME A112.18.1 / CSA B125.1  
 NSF 61 - Section 9  
 NSF 372 (Low Lead Content)  
 ANSI A117.1 (ADA)