



# T&S BRASS AND BRONZE WORKS, INC.

2 Saddleback Cove / P.O. Box 1088  
Travelers Rest, SC 29690

Model No.

**B-0309**

Item No.

Travelers Rest, SC: 800-476-4103 • Simi Valley, CA: 800-423-0150 • Fax: 864-834-3518 • www.tsbrass.com



**ADA Compliant**

This Space for Architect/Engineer Approval

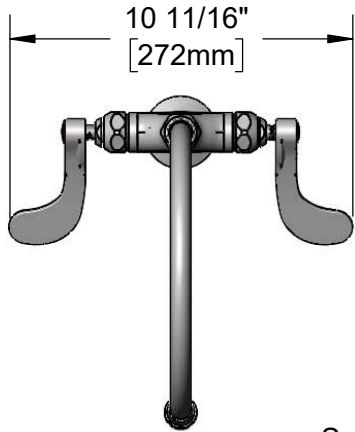
Job Name \_\_\_\_\_ Date \_\_\_\_\_

Model Specified \_\_\_\_\_ Quantity \_\_\_\_\_

Customer/Wholesaler \_\_\_\_\_

Contractor \_\_\_\_\_

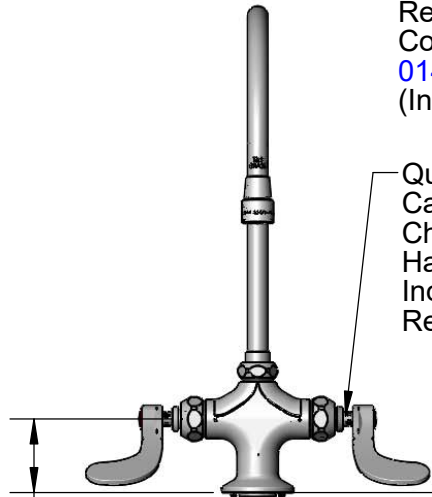
Architect/Engineer \_\_\_\_\_



10 11/16"  
[272mm]

Swivel/Rigid Gooseneck w/ 2.2 GPM Vandal Resistant Aerator. Converts to Rigid w/ 014200-45 Lock Washer (Included)

Quarter-Turn Eterna Cartridges w/ Spring Checks & Wrist Action Handles w/ Color Coded Indexes & Vandal Resistant Screws

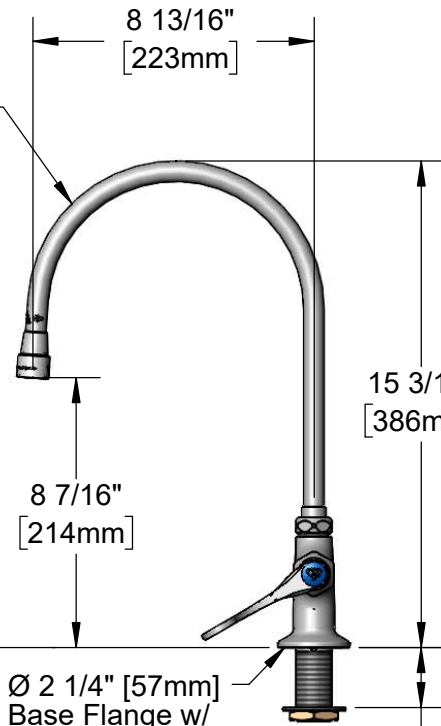


2 5/16"  
[58mm]

Mounting Surface

18" Flexible Stainless Steel Supply Hoses

Compression Fittings for 5/8" O.D. Copper Tubing (Remove Compression Nut for 1/2" NPSM Male)



8 13/16"  
[223mm]

8 7/16"  
[214mm]

Ø 2 1/4" [57mm] Base Flange w/ (2) Anti-Rotation Screws

15 3/16"  
[386mm]

1 7/8"  
[48mm] Maximum Thickness

1 1/2"  
[38mm]

Ø 1/4" [6mm]

3/4"  
[19mm]

Bottom View  
VR Pin Hole Pattern

**Rough-In Requirement:**  
Ø 1 1/2" [38mm] Mounting Hole  
(2) Ø 1/4" [6mm] Anti-Rotation Holes

**Product Specifications:**

Single Hole Deck Mount Mixing Faucet, Quarter-Turn Eterna Cartridges w/ Spring Checks, 4" Wrist Action Handles w/ Vandal Resistant Screws, 8 13/16" Swivel/Rigid Gooseneck w/ 2.2 GPM Vandal Resistant Aerator, 18" Flexible Stainless Steel Supply Hoses w/ 1/2" NPSM Male Inlets & Vandal Resistant Anti-Rotational Pins

**Product Compliance:**

ASME A112.18.1 / CSA B125.1  
NSF 61 - Section 9  
NSF 372 (Low Lead Content)  
ANSI A117.1 (ADA)

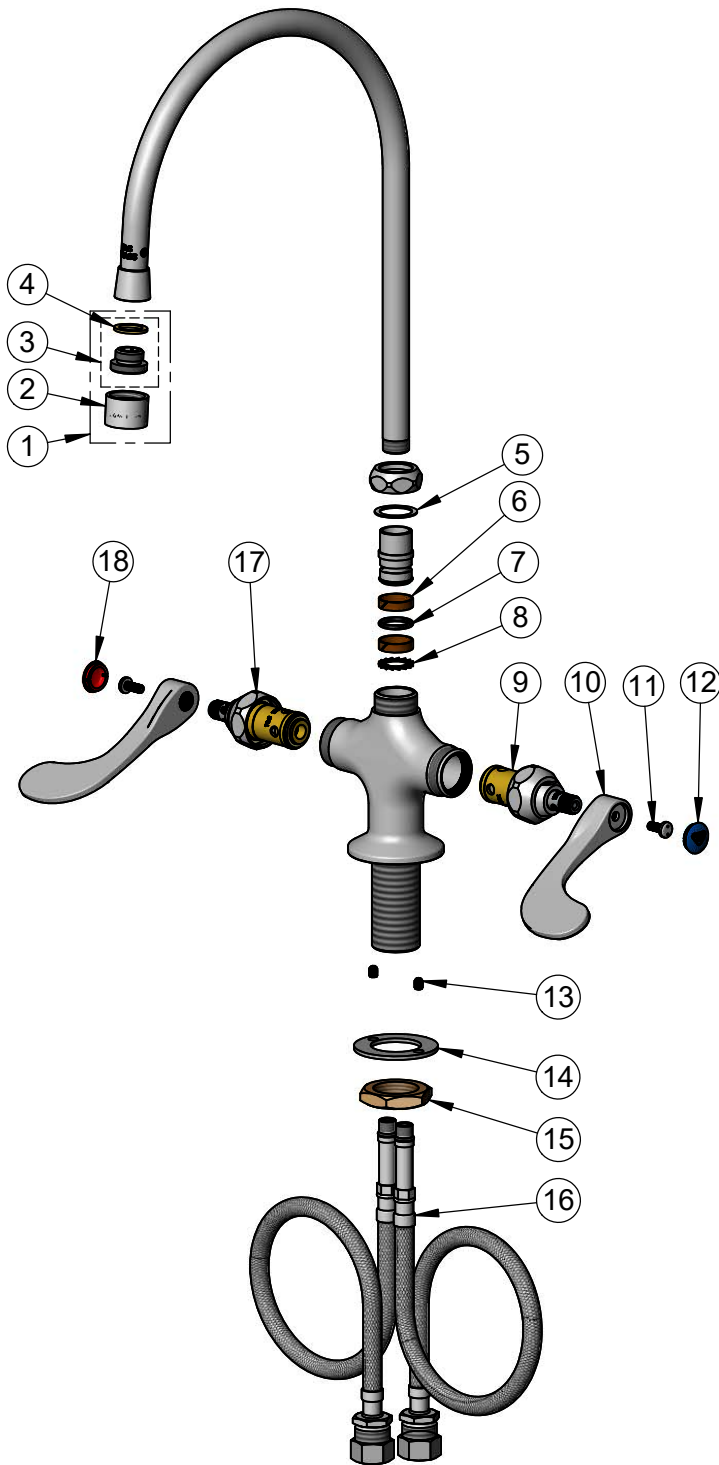


**T&S BRASS AND BRONZE WORKS, INC.**  
 2 Saddleback Cove / P.O. Box 1088  
 Travelers Rest, SC 29690

Model No.  
**B-0309**

Item No.

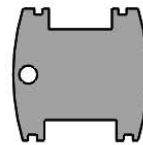
Travelers Rest, SC: 800-476-4103 • Simi Valley, CA: 800-423-0150 • Fax: 864-834-3518 • www.tsbrass.com



ITEM NO.	SALES NO.	DESCRIPTION
1	B-0199-07	VR 2.2 GPM Aerator, 3/8" NPSM Male w/ Key
2	B-0199-06	Aerator, Vandal Resistant
3	044A	3/8" to Aerator Adapter
4	001043-45	Washer
5	009538-45	Swivel Washer
6	011429-45	Swivel Sleeves (2)
7	001074-45	O-Ring
8	014200-45	Star Washer, Anti-Rotation
9	012442-40NS	Quarter-Turn Eterna Cartridge w/ Spring Check, LTC
10	B-WH4-NS	Wrist Action Handle - New Style
11	VRS-2	VR Wrist Action Handle Screw (2) w/ Spanner Bit
12	018506-19NS	Blue Button Index, Press-in
13	012698-45	Anti-Rotation Screw (2)
14	013039-20	Washer, VR Shank
15	000965-45	Lock Nut
16	012534-45	18" Flexible Supply Hose (2)
17	012443-40NS	Quarter-Turn Eterna Cartridge w/ Spring Check, RTC
18	001193-19NS	Red Button Index, Press-in



014075-45  
VR Spanner Bit



015425-45  
VR Aerator Key

**Product Specifications:**

Single Hole Deck Mount Mixing Faucet, Quarter-Turn Eterna Cartridges w/ Spring Checks, 4" Wrist Action Handles w/ Vandal Resistant Screws, 8 13/16" Swivel/Rigid Gooseneck w/ 2.2 GPM Vandal Resistant Aerator, 18" Flexible Stainless Steel Supply Hoses w/ 1/2" NPSM Male Inlets & Vandal Resistant Anti-Rotational Pins

**Product Compliance:**

ASME A112.18.1 / CSA B125.1  
 NSF 61 - Section 9  
 NSF 372 (Low Lead Content)  
 ANSI A117.1 (ADA)