



T&S BRASS AND BRONZE WORKS, INC.

2 Saddleback Cove / P.O. Box 1088
Travelers Rest, SC 29690

Model No.

B-0308-04

Item No.

Travelers Rest, SC: 800-476-4103 • Simi Valley, CA: 800-423-0150 • Fax: 864-834-3518 • www.tsbrass.com



ADA Compliant

This Space for Architect/Engineer Approval

Job Name _____ Date _____

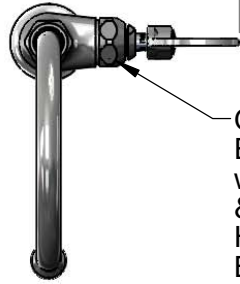
Model Specified _____ Quantity _____

Customer/Wholesaler _____

Contractor _____

Architect/Engineer _____

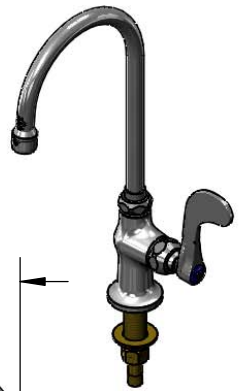
4 15/16"
[126mm]



Quarter-Turn
Eterna Cartridge
w/ Spring Check
& 4" Wrist Action
Handle w/
Blue Color
Coded Index

133X-A22

5 3/4" Swivel Gooseneck w/
2.2 GPM Aerator
Rigid Conversion Requires
014200-45 Lock Washer
(Included)



5 3/4"
[145mm]

13 15/16"
[355mm]

9 9/16"
[242mm]

Swivel Joint

6 5/8"
[168mm]

2 7/16"
[62mm]

Mounting Surface

2 5/8"
[67mm]

Ø 2" [51mm]
Base w/
1/2" NPSM
Male Inlet

1 5/8"
[41mm]
Maximum
Thickness

150A

Optional Tailpiece
and Nut for 1/4" NPT
Connection (Included)

Rough-In Requirement:
Ø 1" [25mm] Mounting Hole

Product Specifications:

Single Hole Single Temperature Deck Mount Faucet, Quarter-Turn Eterna Cartridge w/ Spring Check, Wrist Action Handle, 5 3/4" Swivel/Rigid Gooseneck, 2.2 GPM Aerator & 1/2" NPSM Male Inlet

Product Compliance:

ASME A112.18.1 / CSA B125.1
NSF 61 - Section 9
NSF 372 (Low Lead Content)
ANSI A117.1 (ADA)

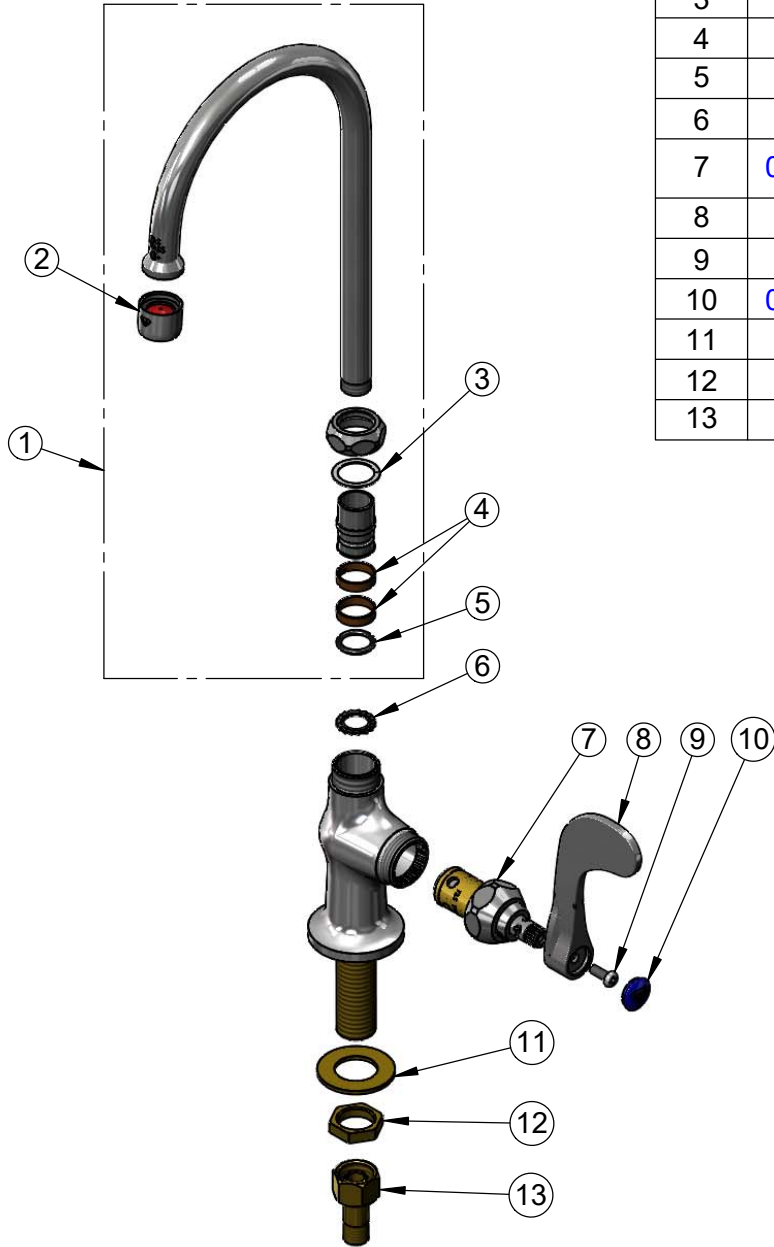


T&S BRASS AND BRONZE WORKS, INC.
 2 Saddleback Cove / P.O. Box 1088
 Travelers Rest, SC 29690

Model No.
B-0308-04

Item No.

Travelers Rest, SC: 800-476-4103 • Simi Valley, CA: 800-423-0150 • Fax: 864-834-3518 • www.tsbrass.com



ITEM NO.	SALES NO.	DESCRIPTION
1	133X-A22	6" Swivel Gooseneck w/ 2.2 GPM Aerator
2	B-0199-01	2.2 GPM Aerator, 55/64"-27 UN Female
3	009538-45	Swivel Washer
4	011429-45	Swivel Sleeves (2)
5	001074-45	O-Ring
6	014200-45	Star Washer, Anti-Rotation
7	012443-40NS	Quarter-Turn Eterna Cartridge w/ Spring Check, RTC
8	B-WH4-NS	Wrist Action Handle (New Style)
9	000925-45	Lab Handle Screw
10	018506-19NS	Blue Button Index, Press-in
11	000999-45	Brass Lock Washer
12	002954-45	Shank Lock Nut
13	150A	1/4" NPT Tailpiece & Nut

Product Specifications:

Single Hole Single Temperature Deck Mount Faucet, Quarter-Turn Eterna Cartridge w/ Spring Check, Wrist Action Handle, 5 3/4" Swivel/Rigid Gooseneck, 2.2 GPM Aerator & 1/2" NPSM Male Inlet

Product Compliance:

ASME A112.18.1 / CSA B125.1
 NSF 61 - Section 9
 NSF 372 (Low Lead Content)
 ANSI A117.1 (ADA)