



**T&S BRASS AND BRONZE WORKS, INC.**  
 2 Saddleback Cove / P.O. Box 1088  
 Travelers Rest, SC 29690

Model No.  
**B-0305-VR4-WS**

Item No.

Travelers Rest, SC: 800-476-4103 • Simi Valley, CA: 800-423-0150 • Fax: 864-834-3518 • www.tsbrass.com



**ADA Compliant**



This Space for Architect/Engineer Approval

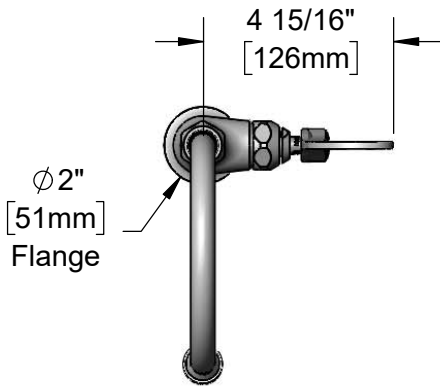
Job Name \_\_\_\_\_ Date \_\_\_\_\_

Model Specified \_\_\_\_\_ Quantity \_\_\_\_\_

Customer/Wholesaler \_\_\_\_\_

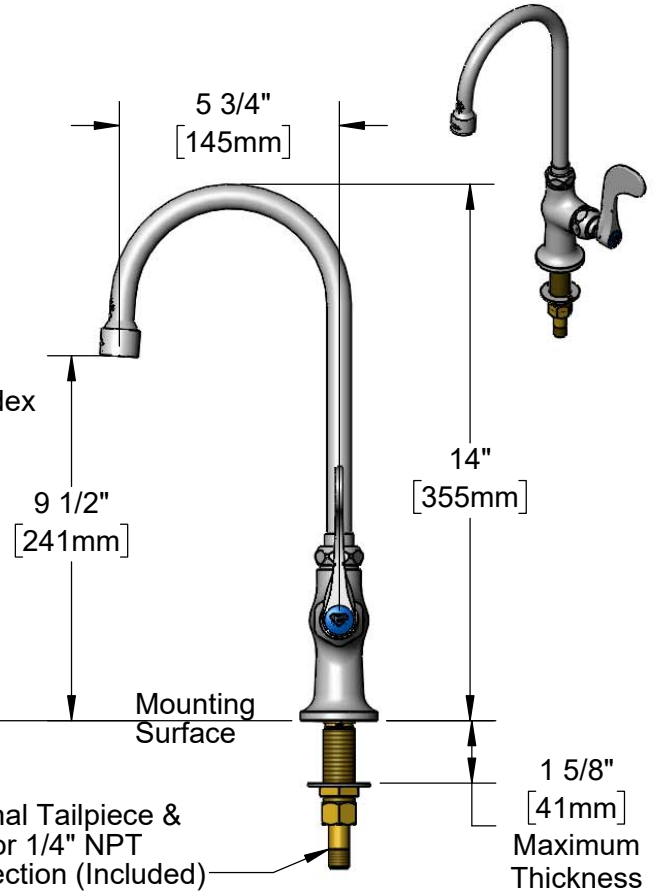
Contractor \_\_\_\_\_

Architect/Engineer \_\_\_\_\_



5 3/4" Swivel Gooseneck w/ B-0199-06-WS 1.5 GPM VR Aerator. Converts to Rigid w/ 014200-45 Lock Washer (Included)

Quarter-Turn Eterna Cartridge w/ Spring Check & 4" Wrist Action Handle w/ VR Screw & Color Coded Index



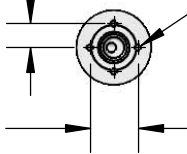
2 7/16" [62mm]

(2) Anti-Rotation Screws

150A  
 Optional Tailpiece & Nut For 1/4" NPT Connection (Included)

1 5/8" [41mm]  
 Maximum Thickness

5/8" [16mm] Typ.  
 1 1/4" [32mm] Typ.



Anti-Rotation Screws May Be Inserted in Any 2 of 4 Positions of 1/4" Holes in Deck

**Rough-In Requirement:**  
 Ø 1" [25mm] Mounting Hole

**Product Specifications:**

Single Hole Single Temperature Deck Mount Faucet w/ Anti-Rotation Pins, Quarter-Turn Eterna Cartridge w/ Spring Check, 4" Wrist Action Handle w/ VR Screw, 5 3/4" Swivel/Rigid Gooseneck, 1.5 GPM VR Aerator & 1/2" NPSM Male Inlet

**Product Compliance:**

ASME A112.18.1 / CSA B125.1  
 NSF 61 - Section 9  
 NSF 372 (Low Lead Content)  
 ANSI A117.1 (ADA)  
 EPA WaterSense



# T&S BRASS AND BRONZE WORKS, INC.

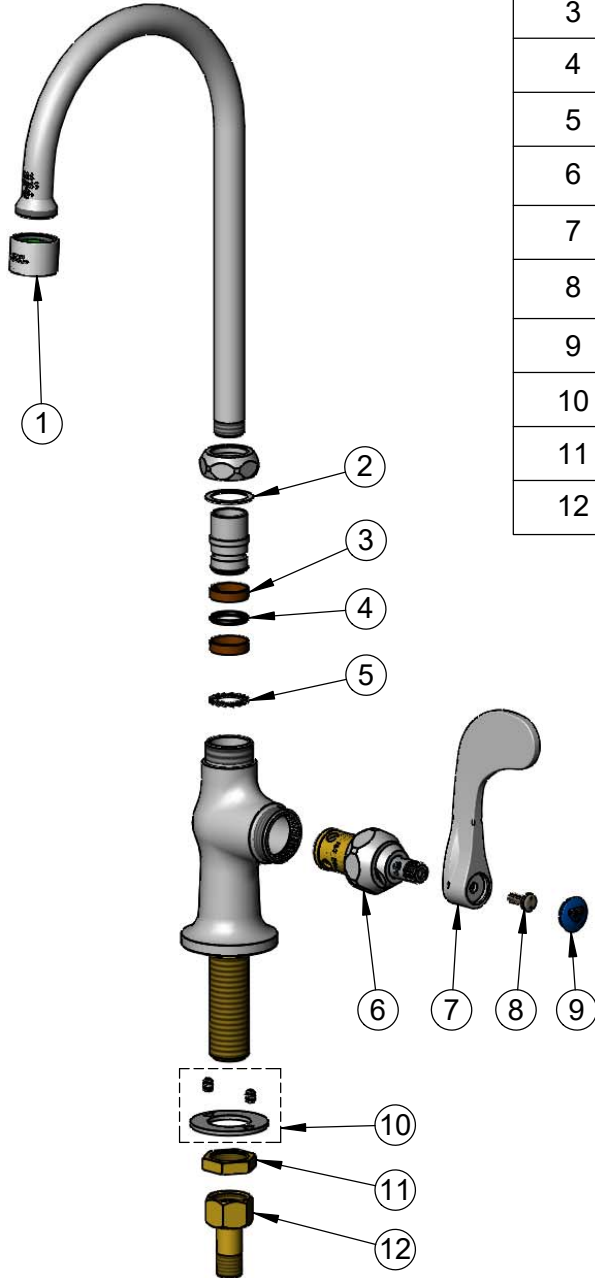
2 Saddleback Cove / P.O. Box 1088  
Travelers Rest, SC 29690

Model No.

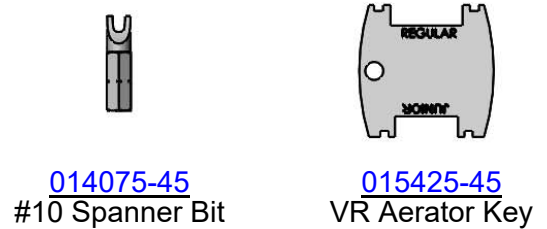
**B-0305-VR4-WS**

Item No.

Travelers Rest, SC: 800-476-4103 • Simi Valley, CA: 800-423-0150 • Fax: 864-834-3518 • www.tsbrass.com



ITEM NO.	SALES NO.	DESCRIPTION
1	<a href="#">B-0199-06-WS</a>	VR 1.5 GPM Aerator, 55/64-27 UN Female w/ Key
2	<a href="#">009538-45</a>	Swivel Washer
3	<a href="#">011429-45</a>	Swivel Sleeves (2)
4	<a href="#">001074-45</a>	O-Ring
5	<a href="#">014200-45</a>	Star Washer, Anti-Rotation
6	<a href="#">012443-40NS</a>	Quarter-Turn Eterna Cartridge w/ Spring Check, RTC
7	<a href="#">B-WH4-NS</a>	Wrist Action Handle - New Style
8	<a href="#">VRS-2</a>	VR Wrist Action Handle Screw (2) w/ Spanner Bit
9	<a href="#">018506-19NS</a>	Blue Button Index, Press-in
10	<a href="#">012698-45</a>	Anti-Rotation Screws (2) & Washer
11	<a href="#">002954-45</a>	Shank Lock Nut
12	<a href="#">150A</a>	1/4" NPT Tailpiece & Nut



**Product Specifications:**

Single Hole Single Temperature Deck Mount Faucet w/ Anti-Rotation Pins, Quarter-Turn Eterna Cartridge w/ Spring Check, 4" Wrist Action Handle w/ VR Screw, 5 3/4" Swivel/Rigid Gooseneck, 1.5 GPM VR Aerator & 1/2" NPSM Male Inlet

**Product Compliance:**

ASME A112.18.1 / CSA B125.1  
NSF 61 - Section 9  
NSF 372 (Low Lead Content)  
ANSI A117.1 (ADA)  
EPA WaterSense