



T&S BRASS AND BRONZE WORKS, INC.
 2 Saddleback Cove / P.O. Box 1088
 Travelers Rest, SC 29690

Model No.
B-0305-VR-WS

Item No.

Travelers Rest, SC: 800-476-4103 • Simi Valley, CA: 800-423-0150 • Fax: 864-834-3518 • www.tsbrass.com



ADA Compliant



This Space for Architect/Engineer Approval

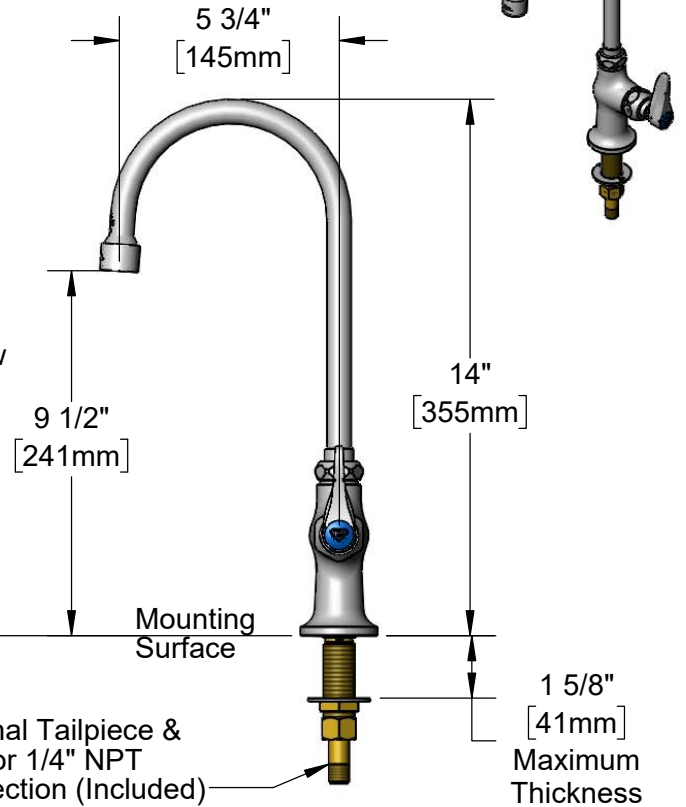
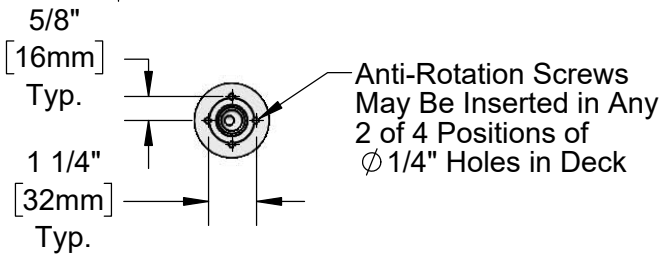
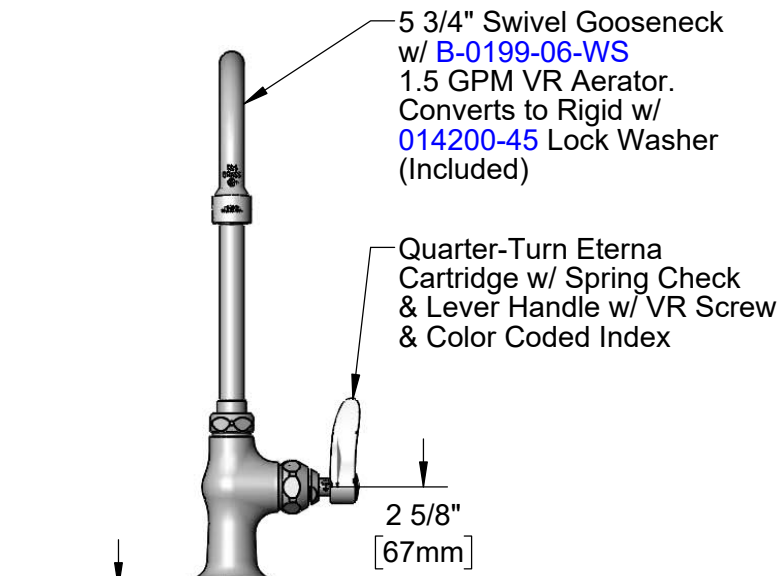
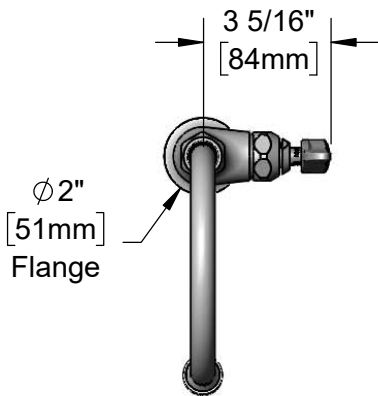
Job Name _____ Date _____

Model Specified _____ Quantity _____

Customer/Wholesaler _____

Contractor _____

Architect/Engineer _____



Rough-In Requirement:
 Ø 1" [25mm] Mounting Hole

Product Specifications:
 Single Hole Single Temperature Deck Mount Faucet w/ Anti-Rotation Pins, Quarter-Turn Eterna Cartridge w/ Spring Check, Lever Handle w/ VR Screw, 5 3/4" Swivel/Rigid Gooseneck, 1.5 GPM VR Aerator and 1/2" NPSM Inlet

Product Compliance:
 ASME A112.18.1 / CSA B125.1
 NSF 61 - Section 9
 NSF 372 (Low Lead Content)
 ANSI A117.1 (ADA)
 EPA WaterSense



T&S BRASS AND BRONZE WORKS, INC.

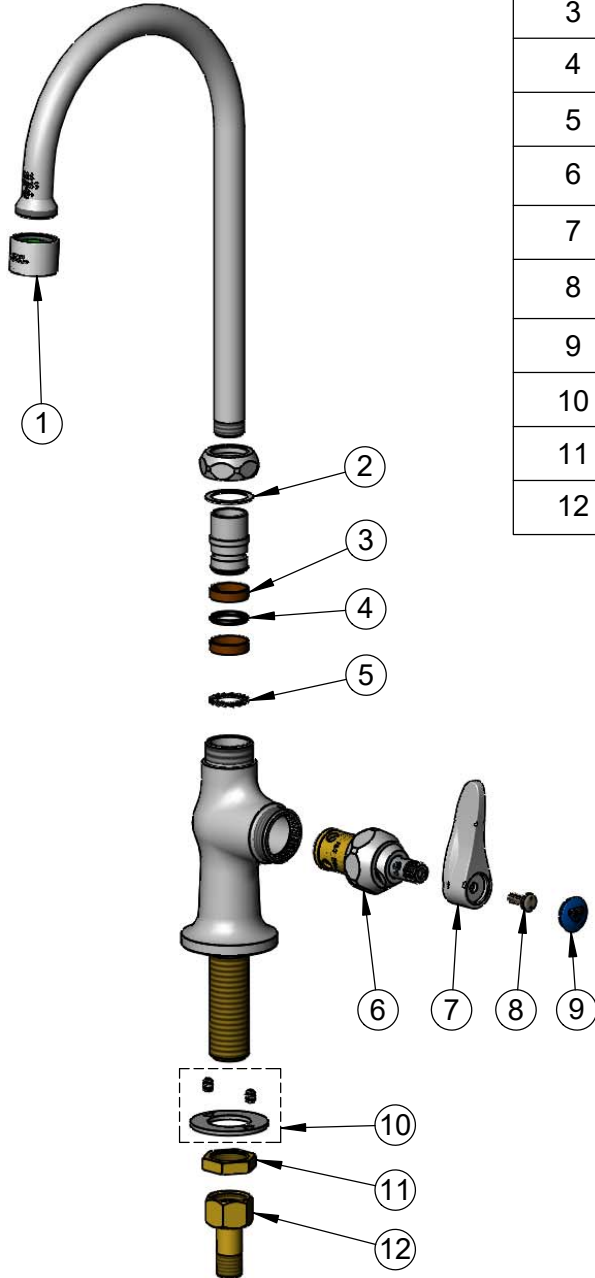
2 Saddleback Cove / P.O. Box 1088
Travelers Rest, SC 29690

Model No.

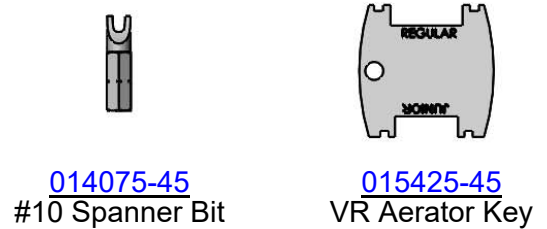
B-0305-VR-WS

Item No.

Travelers Rest, SC: 800-476-4103 • Simi Valley, CA: 800-423-0150 • Fax: 864-834-3518 • www.tsbrass.com



ITEM NO.	SALES NO.	DESCRIPTION
1	B-0199-06-WS	VR 1.5 GPM Aerator, 55/64-27 UN Female w/ Key
2	009538-45	Swivel Washer
3	011429-45	Swivel Sleeves (2)
4	001074-45	O-Ring
5	014200-45	Star Washer, Anti-Rotation
6	012443-40NS	Quarter-Turn Eterna Cartridge w/ Spring Check, RTC
7	001638-45NS	Lever Handle (New Style)
8	VRS-2	VR Wrist Action Handle Screw (2) w/ Spanner Bit
9	018506-19NS	Blue Button Index, Press-in
10	012698-45	Anti-Rotation Screws (2) & Washer
11	002954-45	Shank Lock Nut
12	150A	1/4" NPT Tailpiece & Nut



Product Specifications:

Single Hole Single Temperature Deck Mount Faucet w/ Anti-Rotation Pins, Quarter-Turn Eterna Cartridge w/ Spring Check, Lever Handle w/ VR Screw, 5 3/4" Swivel/Rigid Gooseneck, 1.5 GPM VR Aerator and 1/2" NPSM Inlet

Product Compliance:

ASME A112.18.1 / CSA B125.1
NSF 61 - Section 9
NSF 372 (Low Lead Content)
ANSI A117.1 (ADA)
EPA WaterSense