



T&S BRASS AND BRONZE WORKS, INC.

2 Saddleback Cove / P.O. Box 1088
Travelers Rest, SC 29690

Model No.

B-0305-VF22

Item No.

Travelers Rest, SC: 800-476-4103 • Simi Valley, CA: 800-423-0150 • Fax: 864-834-3518 • www.tsbrass.com



ADA Compliant

This Space for Architect/Engineer Approval

Job Name _____ Date _____

Model Specified _____ Quantity _____

Customer/Wholesaler _____

Contractor _____

Architect/Engineer _____

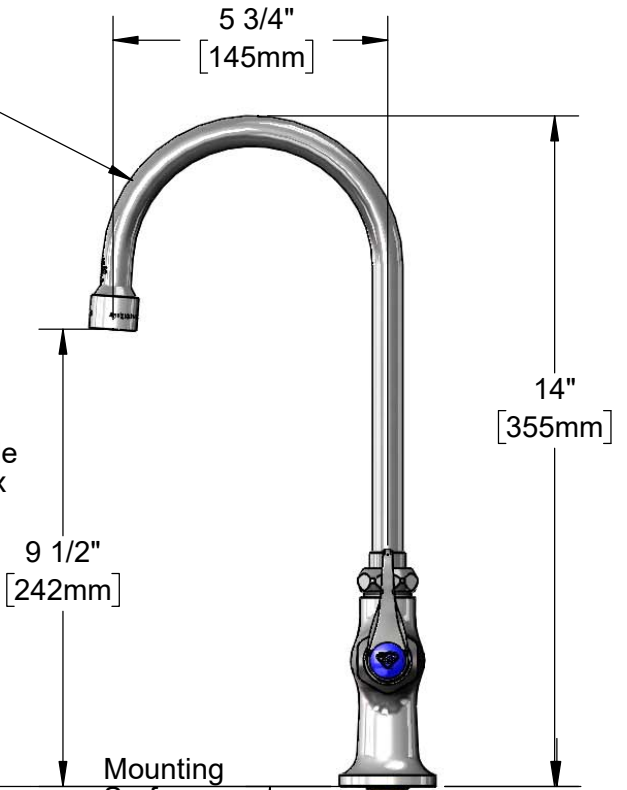


3 5/16"
[84mm]



133X-V22
Swivel Gooseneck w/
2.2 GPM Vandal
Resistant Aerator.
Converts to Rigid w/
014200-45 Lock Washer
(Included)

Quarter-Turn Eterna
Cartridge w/ Spring
Check & Lever Handle
w/ Color Coded Index



5 3/4"
[145mm]

14"
[355mm]

9 1/2"
[242mm]

Mounting
Surface

Ø 2"
[51mm]

150A
Optional Tailpiece &
Nut for 1/4" NPT
Connection (Included)

1 5/8"
[41mm]
Maximum
Thickness

2 7/16"
[62mm]

1/2" NPSM
Male Inlet

Rough-In Requirement:
Ø 1" [25mm] Mounting Hole

Product Specifications:

Single Temperature Deck Mount Faucet, Quarter-Turn Eterna Cartridge w/ Spring Check, Lever Handle, 5 3/4" Swivel/Rigid Gooseneck w/ 2.2 GPM VR Aerator & 1/2" NPSM Male Inlet w/ Tailpiece

Product Compliance:

ASME A112.18.1 / CSA B125.1
NSF 61 - Section 9
NSF 372 (Low Lead Content)
ANSI A117.1 (ADA)



T&S BRASS AND BRONZE WORKS, INC.

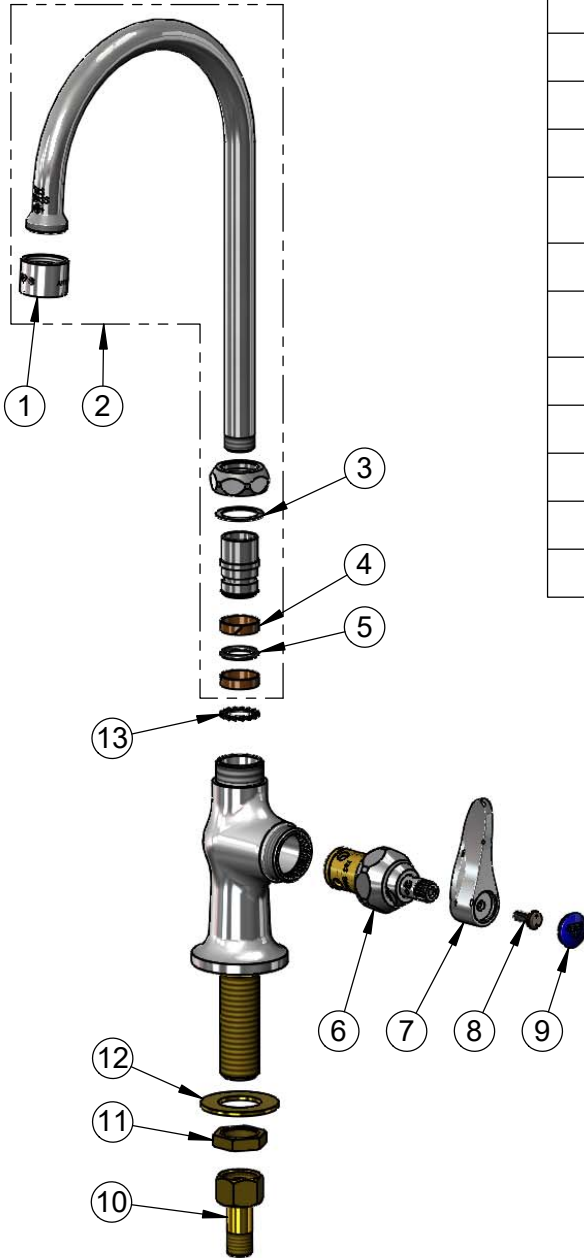
2 Saddleback Cove / P.O. Box 1088
Travelers Rest, SC 29690

Model No.

B-0305-VF22

Item No.

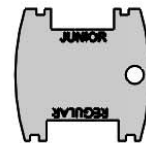
Travelers Rest, SC: 800-476-4103 • Simi Valley, CA: 800-423-0150 • Fax: 864-834-3518 • www.tsbrass.com



ITEM NO.	SALES NO.	DESCRIPTION
1	B-0199-06	VR 2.2 GPM Aerator, 55/64-27 UN Female w/ Key
2	133X-V22	6" Swivel Gooseneck w/ VR 2.2 GPM Aerator
3	009538-45	Swivel Washer
4	011429-45	Swivel Sleeves (2)
5	001074-45	O-Ring
6	012443-40NS	Quarter-Turn Eterna Cartridge w/ Spring Check, RTC
7	001638-45NS	Lever Handle (New Style)
8	VRS-2	VR Wrist Action Handle Screw (2) w/ Spanner Bit
9	018506-19NS	Blue Button Index, Press-in
10	150A	1/4" NPT Tailpiece & Nut
11	002954-45	Shank Lock Nut
12	000999-45	Brass Lock Washer
13	014200-45	Star Washer, Anti-Rotation



014075-45
Spanner Bit



015425-45
Vandal Resistant Key

Product Specifications:

Single Temperature Deck Mount Faucet, Quarter-Turn Eterna Cartridge w/ Spring Check, Lever Handle, 5 3/4" Swivel/Rigid Gooseneck w/ 2.2 GPM VR Aerator & 1/2" NPSM Male Inlet w/ Tailpiece

Product Compliance:

ASME A112.18.1 / CSA B125.1
NSF 61 - Section 9
NSF 372 (Low Lead Content)
ANSI A117.1 (ADA)