



T&S BRASS AND BRONZE WORKS, INC.
 2 Saddleback Cove / P.O. Box 1088
 Travelers Rest, SC 29690

Model No.
B-0301-VR

Item No.

Travelers Rest, SC: 800-476-4103 • Simi Valley, CA: 800-423-0150 • Fax: 864-834-3518 • www.tsbrass.com



ADA Compliant

This Space for Architect/Engineer Approval

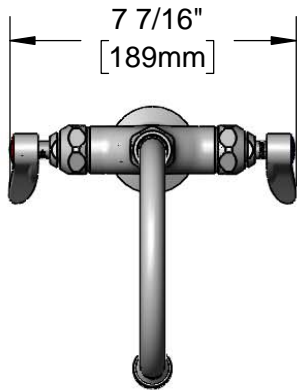
Job Name _____ Date _____

Model Specified _____ Quantity _____

Customer/Wholesaler _____

Contractor _____

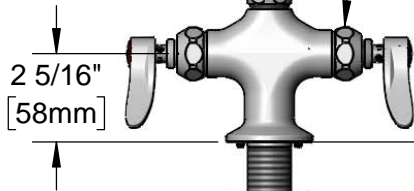
Architect/Engineer _____



7 7/16"
[189mm]

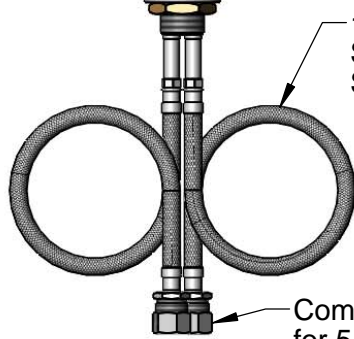
Swivel/Rigid Gooseneck w/ 2.2 GPM Vandal Resistant Aerator. Converts to Rigid w/ 014200-45 Lock Washer (Included)

Quarter-Turn Eterna Cartridges w/ Spring Checks & Lever Handles w/ Color Coded Indexes & Vandal Resistant Screws



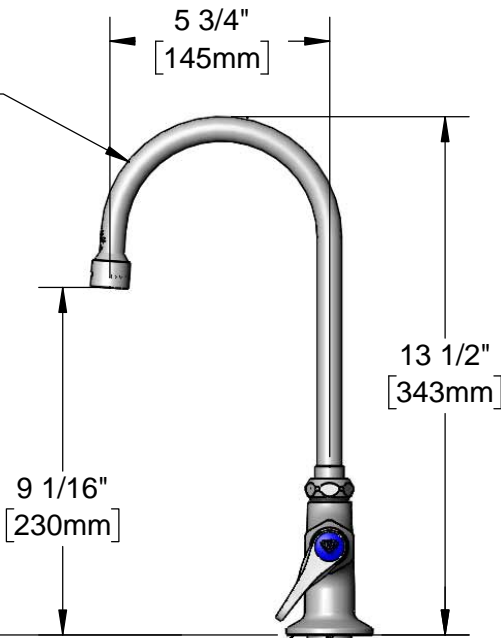
2 5/16"
[58mm]

Mounting Surface



18" Flexible Stainless Steel Supply Hoses

Compression Fittings for 5/8" O.D. Copper Tubing (Remove Compression Nut for 1/2" NPSM Male)



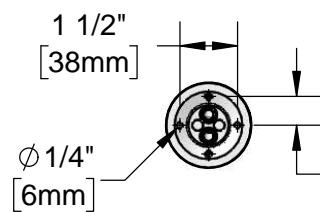
5 3/4"
[145mm]

9 1/16"
[230mm]

13 1/2"
[343mm]

Ø 2 1/4" [57mm] Base Flange w/ (2) Anti-Rotation Screws

1 3/8" [35mm] Maximum Thickness



1 1/2"
[38mm]

Ø 1/4" [6mm]

3/4" [19mm]

Bottom View
VR Pin Hole Pattern

Rough-In Requirement:
 Ø 1 1/2" [38mm] Mounting Hole
 (2) Ø 1/4" [6mm] Anti-Rotation Holes

Product Specifications:
 Single Hole Deck Mount Mixing Faucet, Quarter-Turn Eterna Cartridges w/ Spring Checks, Lever Handles w/ Vandal Resistant Screws, 5 3/4" Swivel/Rigid Gooseneck w/ 2.2 GPM Vandal Resistant Aerator, 18" Flexible Stainless Steel Supply Hoses w/ 1/2" NPSM Male Inlets & Vandal Resistant Anti-Rotational Pins

Product Compliance:
 ASME A112.18.1 / CSA B125.1
 NSF 61 - Section 9
 NSF 372 (Low Lead Content)
 ANSI A117.1 (ADA)



T&S BRASS AND BRONZE WORKS, INC.

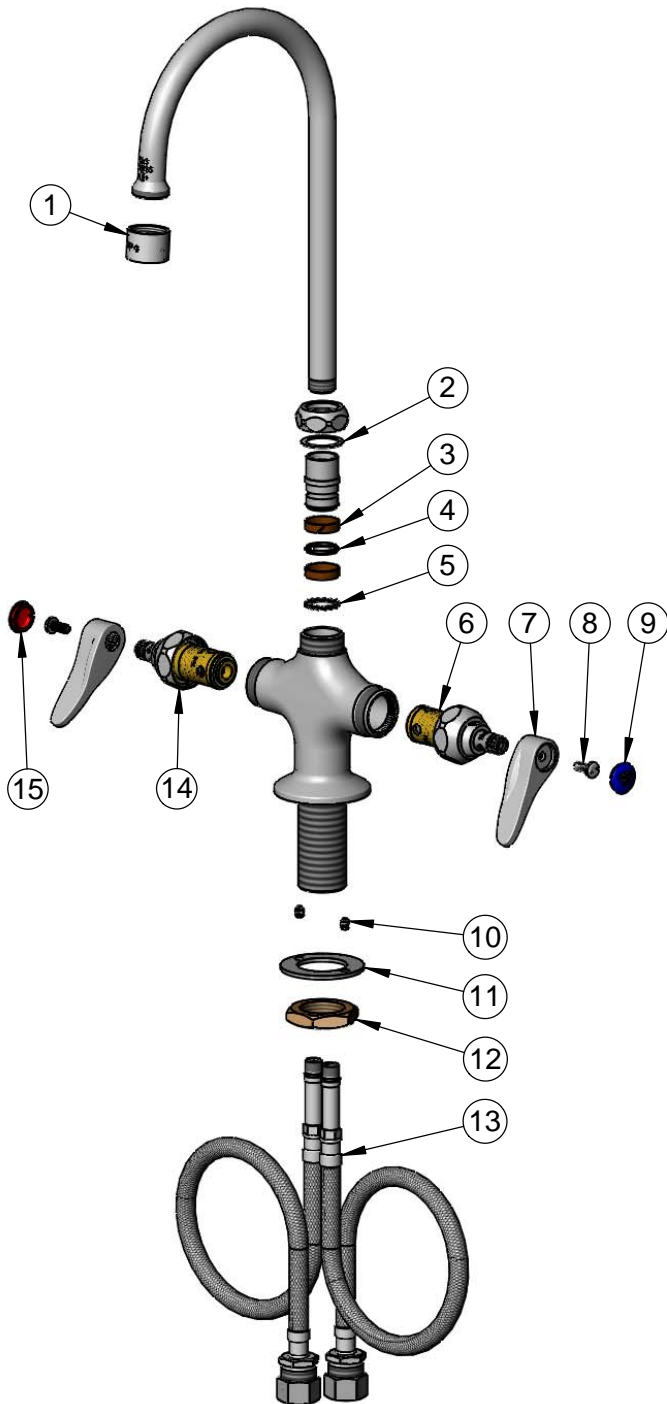
2 Saddleback Cove / P.O. Box 1088
Travelers Rest, SC 29690

Model No.

B-0301-VR

Item No.

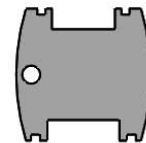
Travelers Rest, SC: 800-476-4103 • Simi Valley, CA: 800-423-0150 • Fax: 864-834-3518 • www.tsbrass.com



| ITEM NO. | SALES NO. | DESCRIPTION |
|----------|-------------|--|
| 1 | B-0199-06 | VR 2.2 GPM Aerator w/ Key |
| 2 | 009538-45 | Swivel Washer |
| 3 | 011429-45 | Swivel Sleeves (2) |
| 4 | 001074-45 | O-Ring |
| 5 | 014200-45 | Star Washer, Anti-Rotation |
| 6 | 012442-40NS | Quarter-Turn Eterna Cartridge w/ Spring Check, LTC |
| 7 | 001638-45NS | Lever Handle (New Style) |
| 8 | VRS-2 | VR Wrist Action Handle Screw (2) w/ Spanner Bit |
| 9 | 018506-19NS | Blue Button Index, Press-in |
| 10 | 012698-45 | Anti-Rotation Screw (2) |
| 11 | 013039-20 | Washer, VR Shank |
| 12 | 000965-45 | Lock Nut |
| 13 | 012534-45 | 18" Flexible Supply Hose (2) |
| 14 | 012443-40NS | Quarter-Turn Eterna Cartridge w/ Spring Check, RTC |
| 15 | 001193-19NS | Red Button Index, Press-in |



014075-45
VR Spanner Bit



015425-45
VR Aerator Key

Product Specifications:

Single Hole Deck Mount Mixing Faucet, Quarter-Turn Eterna Cartridges w/ Spring Checks, Lever Handles w/ Vandal Resistant Screws, 5 3/4" Swivel/Rigid Gooseneck w/ 2.2 GPM Vandal Resistant Aerator, 18" Flexible Stainless Steel Supply Hoses w/ 1/2" NPSM Male Inlets & Vandal Resistant Anti-Rotational Pins

Product Compliance:

ASME A112.18.1 / CSA B125.1
NSF 61 - Section 9
NSF 372 (Low Lead Content)
ANSI A117.1 (ADA)