



# T&S BRASS AND BRONZE WORKS, INC.

2 Saddleback Cove / P.O. Box 1088  
Travelers Rest, SC 29690

Model No.

**B-0300-VR**

Item No.

Travelers Rest, SC: 800-476-4103 • Simi Valley, CA: 800-423-0150 • Fax: 864-834-3518 • www.tsbrass.com



**ADA Compliant**

This Space for Architect/Engineer Approval

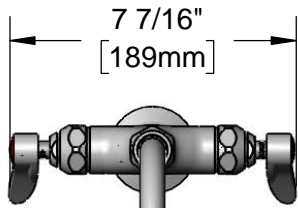
Job Name \_\_\_\_\_ Date \_\_\_\_\_

Model Specified \_\_\_\_\_ Quantity \_\_\_\_\_

Customer/Wholesaler \_\_\_\_\_

Contractor \_\_\_\_\_

Architect/Engineer \_\_\_\_\_



7 7/16"  
[189mm]

Swivel/Rigid Gooseneck w/ 2.2 GPM Vandal Resistant Aerator. Converts to Rigid w/ 014200-45 Lock Washer (Included)

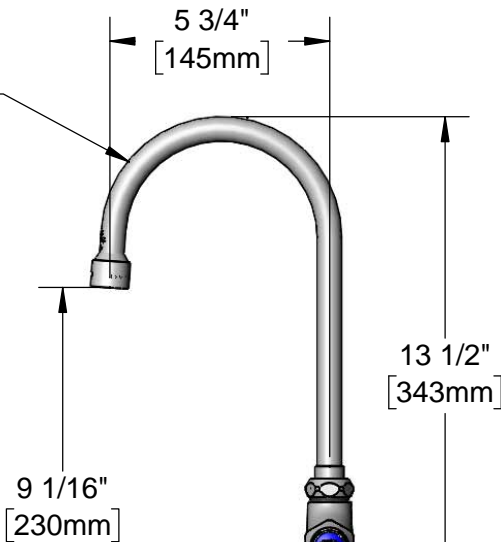
Quarter-Turn Eterna Cartridges w/ Spring Checks & Lever Handles w/ Color Coded Indexes & Vandal Resistant Screws

2 5/16"  
[58mm]

Mounting Surface

18" Flexible Stainless Steel Supply Hoses

Compression Fittings for 5/8" O.D. Copper Tubing (Remove Compression Nut for 1/2" NPSM Male)

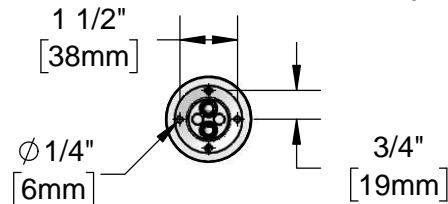


9 1/16"  
[230mm]

Ø 2 1/4" [57mm] Base Flange w/ (2) Anti-Rotation Screws

13 1/2"  
[343mm]

1 3/8"  
[35mm] Maximum Thickness



Ø 1/4" [6mm]

3/4" [19mm]

Bottom View  
VR Pin Hole Pattern



**Rough-In Requirement:**

Ø 1 1/2" [38mm] Mounting Hole

(2) Ø 1/4" [6mm] Anti-Rotation Holes

**Product Specifications:**

Single Hole Deck Mount Mixing Faucet, Quarter-Turn Eterna Cartridges w/ Spring Checks, Lever Handles w/ Vandal Resistant Screws, 5 3/4" Swivel/Rigid Gooseneck w/ 2.2 GPM Vandal Resistant Aerator, 18" Flexible Stainless Steel Supply Hoses w/ 1/2" NPSM Male Inlets & Vandal Resistant Anti-Rotational Pins

**Product Compliance:**

ASME A112.18.1 / CSA B125.1  
NSF 61 - Section 9  
NSF 372 (Low Lead Content)  
ANSI A117.1 (ADA)



# T&S BRASS AND BRONZE WORKS, INC.

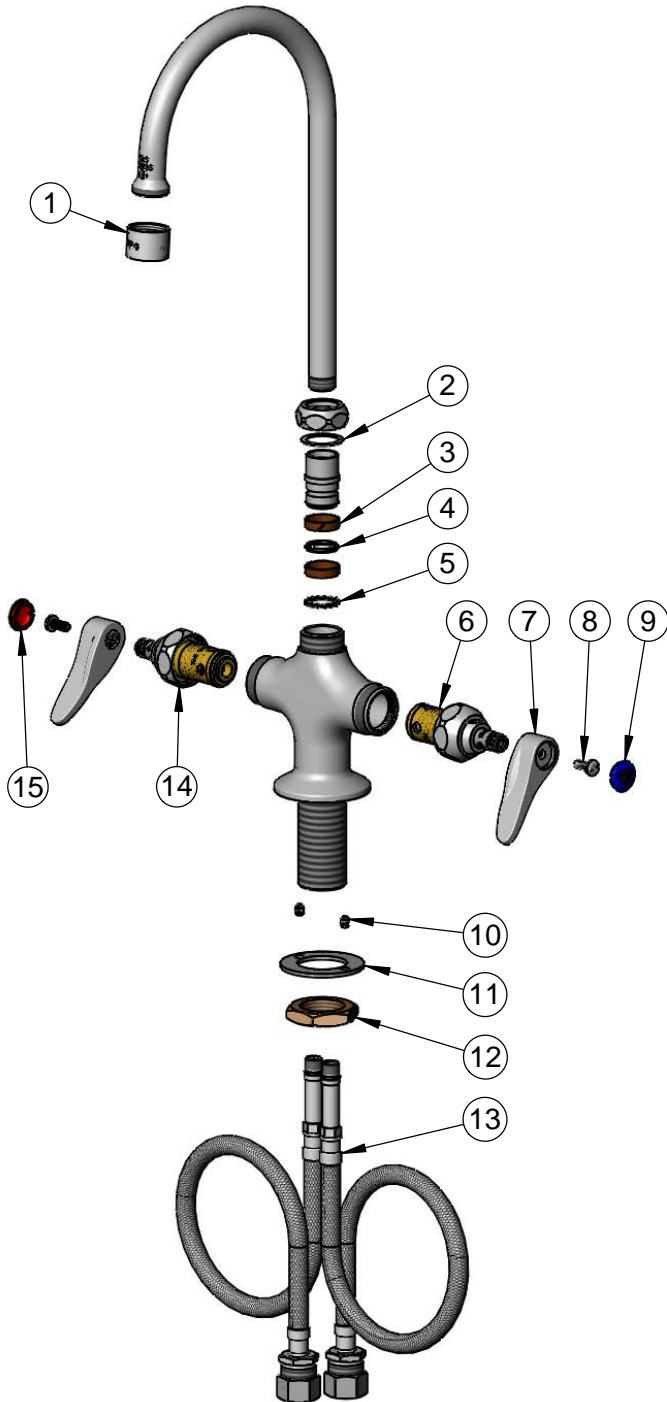
2 Saddleback Cove / P.O. Box 1088  
Travelers Rest, SC 29690

Model No.

**B-0300-VR**

Item No.

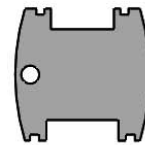
Travelers Rest, SC: 800-476-4103 • Simi Valley, CA: 800-423-0150 • Fax: 864-834-3518 • www.tsbrass.com



ITEM NO.	SALES NO.	DESCRIPTION
1	B-0199-06	VR 2.2 GPM Aerator w/ Key
2	009538-45	Swivel Washer
3	011429-45	Swivel Sleeves (2)
4	001074-45	O-Ring
5	014200-45	Star Washer, Anti-Rotation
6	012442-40NS	Quarter-Turn Eterna Cartridge w/ Spring Check, LTC
7	001638-45NS	Lever Handle (New Style)
8	VRS-2	VR Wrist Action Handle Screw (2) w/ Spanner Bit
9	018506-19NS	Blue Button Index, Press-in
10	012698-45	Anti-Rotation Screw (2)
11	013039-20	Washer, VR Shank
12	000965-45	Lock Nut
13	012534-45	18" Flexible Supply Hose (2)
14	012443-40NS	Quarter-Turn Eterna Cartridge w/ Spring Check, RTC
15	001193-19NS	Red Button Index, Press-in



014075-45  
VR Spanner Bit



015425-45  
VR Aerator Key

**Product Specifications:**

Single Hole Deck Mount Mixing Faucet, Quarter-Turn Eterna Cartridges w/ Spring Checks, Lever Handles w/ Vandal Resistant Screws, 5 3/4" Swivel/Rigid Gooseneck w/ 2.2 GPM Vandal Resistant Aerator, 18" Flexible Stainless Steel Supply Hoses w/ 1/2" NPSM Male Inlets & Vandal Resistant Anti-Rotational Pins

**Product Compliance:**

ASME A112.18.1 / CSA B125.1  
NSF 61 - Section 9  
NSF 372 (Low Lead Content)  
ANSI A117.1 (ADA)