



# T&S BRASS AND BRONZE WORKS, INC.

2 Saddleback Cove / P.O. Box 1088  
Travelers Rest, SC 29690

Model No.

**B-0300-A12CR-PF**

Item No.

Travelers Rest, SC: 800-476-4103 • Simi Valley, CA: 800-423-0150 • Fax: 864-834-3518 • www.tsbrass.com

This Space for Architect/Engineer Approval

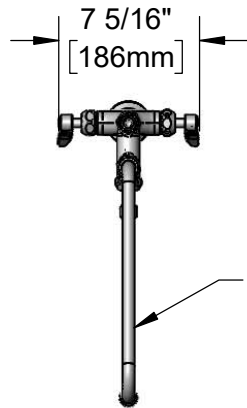
Job Name \_\_\_\_\_ Date \_\_\_\_\_

Model Specified \_\_\_\_\_ Quantity \_\_\_\_\_

Customer/Wholesaler \_\_\_\_\_

Contractor \_\_\_\_\_

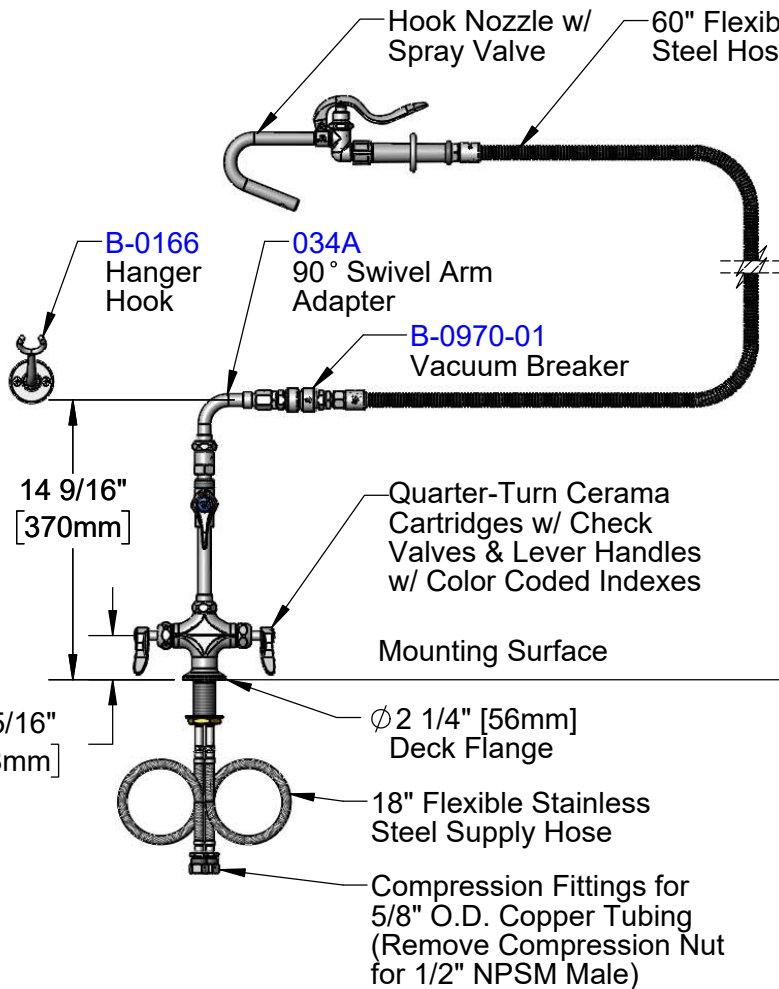
Architect/Engineer \_\_\_\_\_



**062X**  
12" Swing Nozzle w/  
Stream Regulator Outlet



Hook Nozzle w/  
Spray Valve      60" Flexible Stainless  
Steel Hose



**B-0166**  
Hanger  
Hook

**034A**  
90° Swivel Arm  
Adapter

**B-0970-01**  
Vacuum Breaker

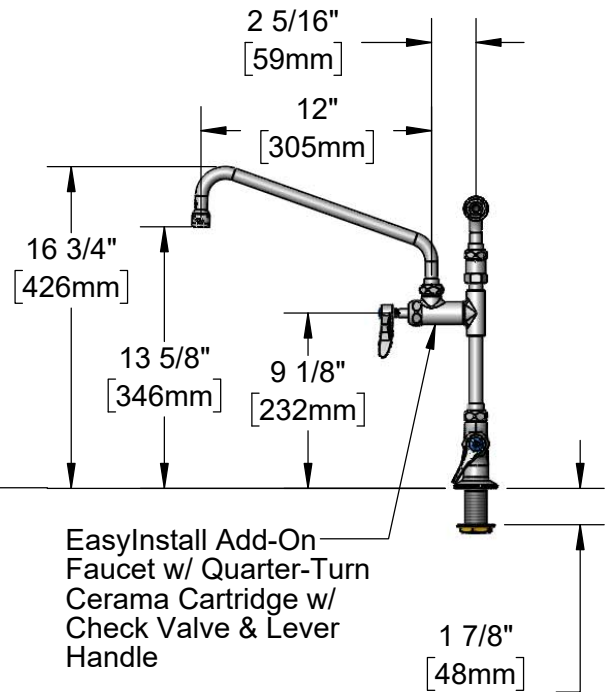
Quarter-Turn Cerama  
Cartridges w/ Check  
Valves & Lever Handles  
w/ Color Coded Indexes

Mounting Surface

Ø 2 1/4" [56mm]  
Deck Flange

18" Flexible Stainless  
Steel Supply Hose

Compression Fittings for  
5/8" O.D. Copper Tubing  
(Remove Compression Nut  
for 1/2" NPSM Male)



EasyInstall Add-On  
Faucet w/ Quarter-Turn  
Cerama Cartridge w/  
Check Valve & Lever  
Handle

1 7/8"  
[48mm]  
Maximum  
Thickness

Rough-In Requirements:  
Ø 1 1/2" [38mm] Mounting Hole

Product Specifications:

Double Pantry Deck Mount Faucet, Quarter-Turn Cerama Cartridges w/ Check Valves, Add-On Faucet, 12" Swing Nozzle, Stream Regulator Outlet, Hook Nozzle w/ Spray Valve, 60" Flexible Stainless Steel Hose, Vacuum Breaker, & Flexible Stainless Steel Supply Hoses

Product Compliance:

ASME A112.18.1 / CSA B125.1  
NSF 61 - Section 9  
NSF 372 (Low Lead Content)  
CSA B64.8 (VB)  
2019 DOE PRSV Non-Compliant



# T&S BRASS AND BRONZE WORKS, INC.

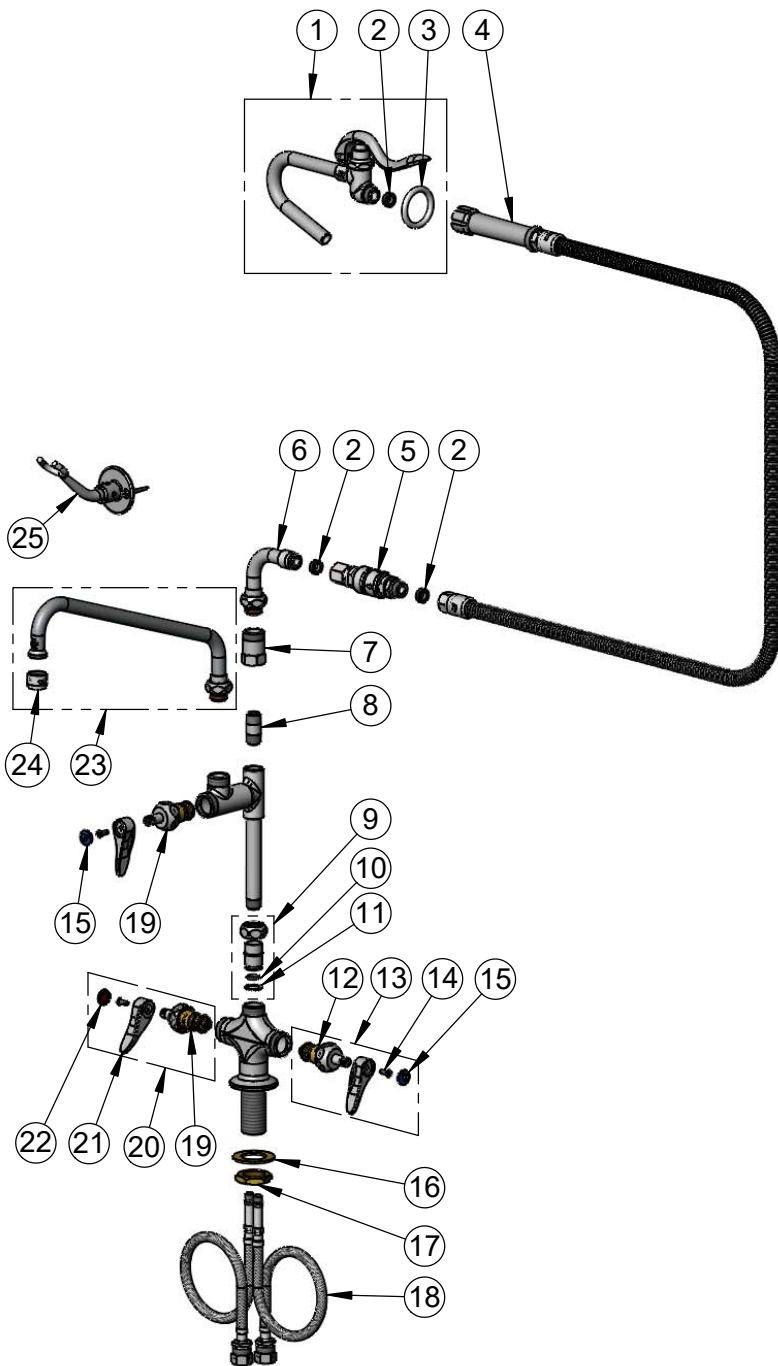
2 Saddleback Cove / P.O. Box 1088  
Travelers Rest, SC 29690

Model No.

**B-0300-A12CR-PF**

Item No.

Travelers Rest, SC: 800-476-4103 • Simi Valley, CA: 800-423-0150 • Fax: 864-834-3518 • www.tsbrass.com



ITEM NO.	SALES NO.	DESCRIPTION
1	002851-40	Hook Nozzle & Spray Valve
2	010476-45	#27 Washer
3	000907-45	Spray Valve Hold Down Ring
4	B-0060-H	60" Flexible Stainless Steel Hose
5	B-0970-01	Vacuum Breaker
6	034A	Swivel Adapter, 90°
7	054X	Swivel Body
8	002341-40	Nipple, 3/8" NPT x 1-1/2"
9	EZ-K	EasyInstall Kit
10	001065-45	O-ring
11	014200-45	Star Washer, Anti-Rotation
12	012395-25NS	Quarter-Turn Cerama Cartridge w/ Check Valve, LTC
13	012447-25NS	Quarter-Turn Cerama Cartridge w/ Check Valve, Handle, Blue Index & Screw, LTC
14	000925-45	Lab Handle Screw
15	018506-19NS	Blue Button Index, Press-in
16	002290-45	Lock Washer
17	000965-45	Lock Nut
18	012534-45	18" Flexible Supply Hose (2)
19	012394-25NS	Quarter-Turn Cerama Cartridge w/ Check Valve, RTC
20	012446-25NS	Quarter-Turn Cerama Cartridge w/ Check Valve, Handle, Red Index & Screw, RTC
21	001638-45NS	Lever Handle (New Style)
22	001193-19NS	Red Button Index, Press-in
23	062X	12" Swing Nozzle
24	B-PT	Full Flow Stream Regulator, 55/64-27
25	B-0166	Hangar Hook

**Product Specifications:**

Double Pantry Deck Mount Faucet, Quarter-Turn Cerama Cartridges w/ Check Valves, Add-On Faucet, 12" Swing Nozzle, Stream Regulator Outlet, Hook Nozzle w/ Spray Valve, 60" Flexible Stainless Steel Hose, Vacuum Breaker, & Flexible Stainless Steel Supply Hoses

**Product Compliance:**

ASME A112.18.1 / CSA B125.1  
NSF 61 - Section 9  
NSF 372 (Low Lead Content)  
CSA B64.8 (VB)  
2019 DOE PRSV Non-Compliant