



**T&S BRASS AND BRONZE WORKS, INC.**  
 2 Saddleback Cove / P.O. Box 1088  
 Travelers Rest, SC 29690

Model No.  
**B-0296-PRISON**

Item No.

Travelers Rest, SC: 800-476-4103 • Simi Valley, CA: 800-423-0150 • Fax: 864-834-3518 • www.tsbrass.com



**ADA Compliant**

This Space for Architect/Engineer Approval

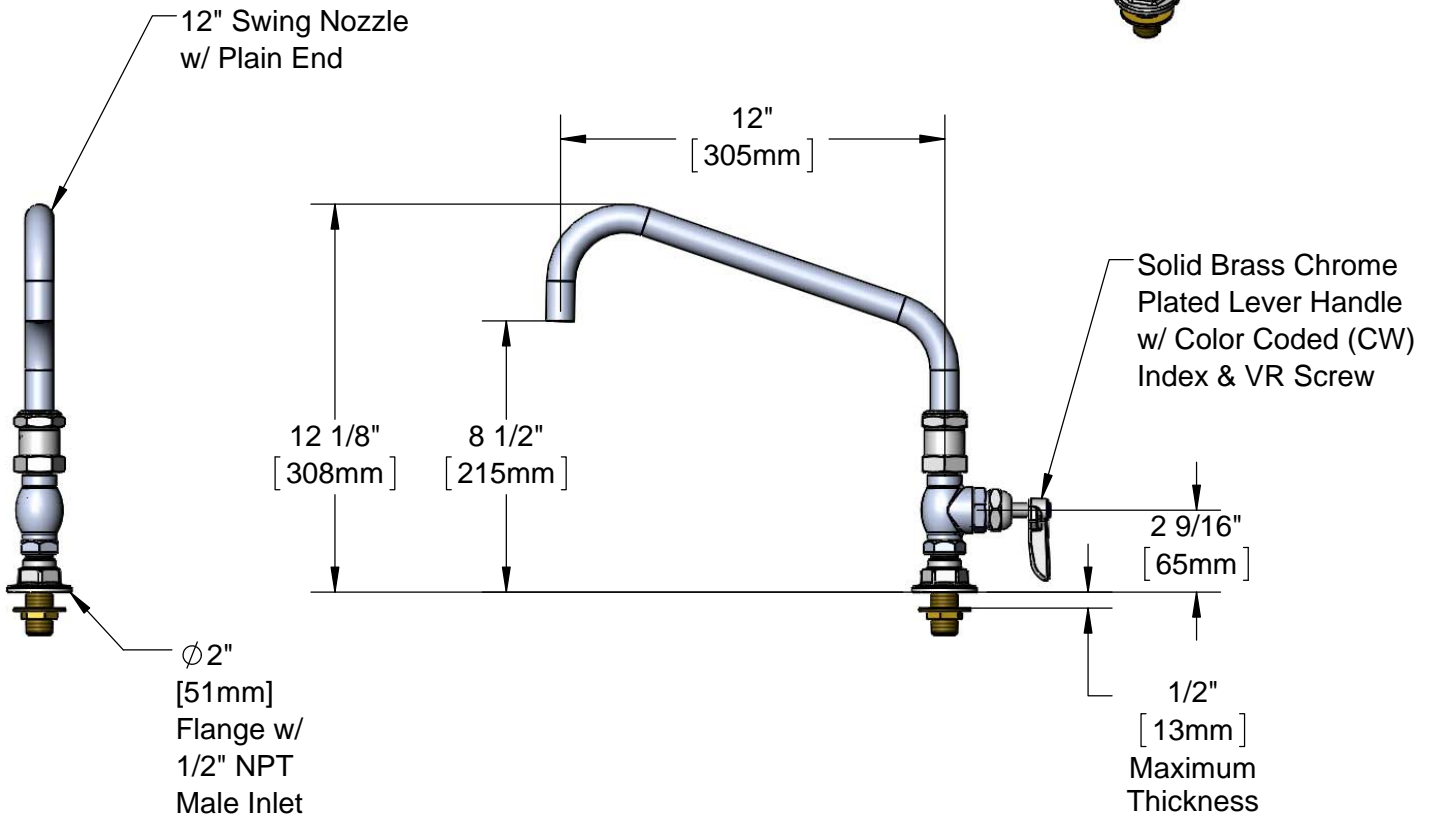
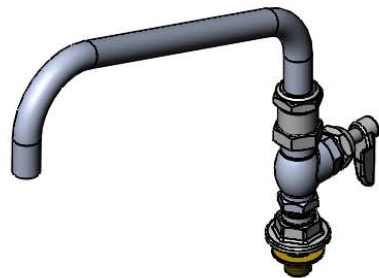
Job Name \_\_\_\_\_ Date \_\_\_\_\_

Model Specified \_\_\_\_\_ Quantity \_\_\_\_\_

Customer/Wholesaler \_\_\_\_\_

Contractor \_\_\_\_\_

Architect/Engineer \_\_\_\_\_



Rough-In Requirement:  
 Ø 1" [25mm] Hole

Product Specifications:  
 "Big-Flo" Valve Faucet, Solid Brass Chrome Plated Lever Handle w/ VR Screw,  
 12" Swing Nozzle w/ Plain End & 1/2" NPT Supply Nipple Inlet

Product Compliance:  
 ASME A112.18.1 / CSA B125.1  
 NSF 61 - Section 9  
 NSF 372 (Low Lead Content)  
 ANSI A117.1 (ADA)



# T&S BRASS AND BRONZE WORKS, INC.

2 Saddleback Cove / P.O. Box 1088  
Travelers Rest, SC 29690

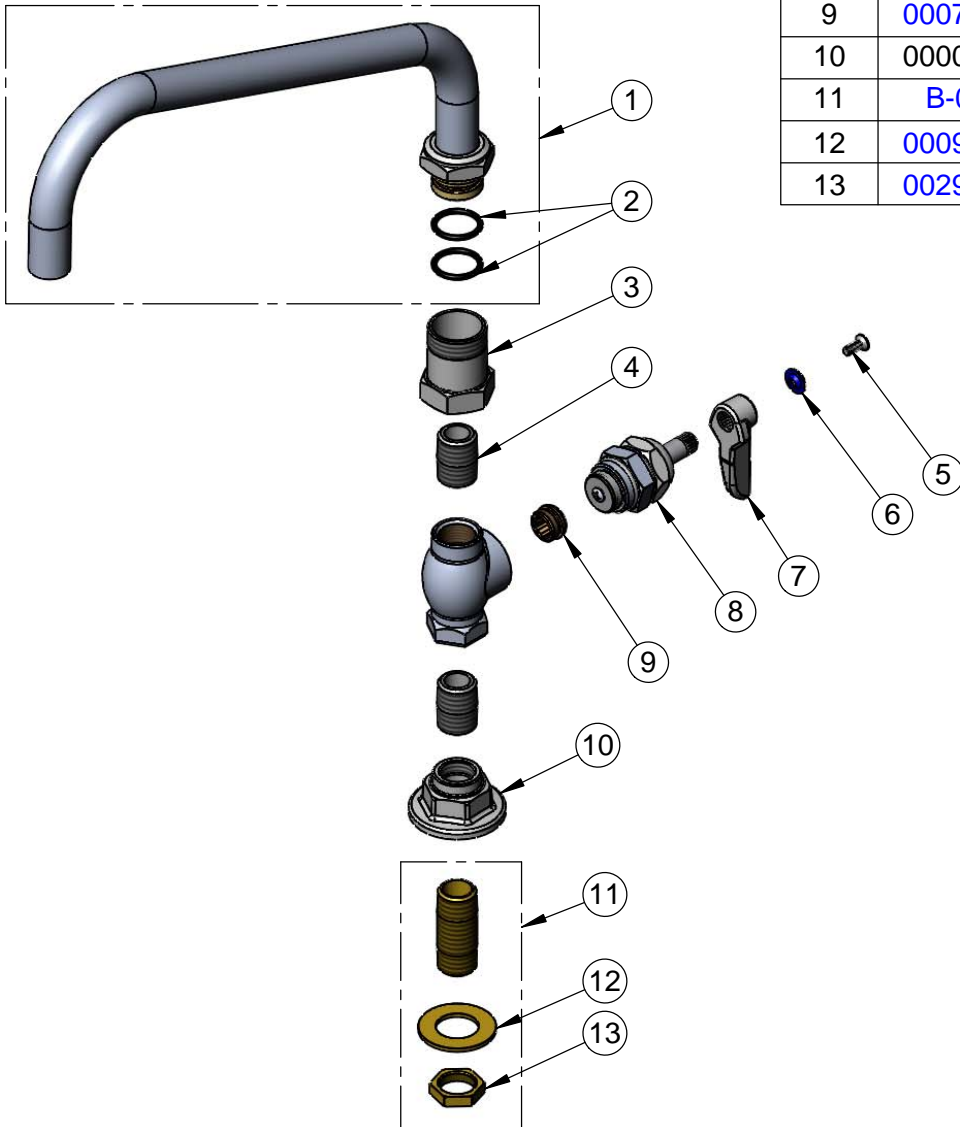
Model No.

**B-0296-PRISON**

Item No.

Travelers Rest, SC: 800-476-4103 • Simi Valley, CA: 800-423-0150 • Fax: 864-834-3518 • www.tsbrass.com

| ITEM NO. | SALES NO. | DESCRIPTION                            |
|----------|-----------|--|
| 1        | 114X      | 12" Big-Flo Swing Nozzle               |
| 2        | 001068-45 | O-ring                                 |
| 3        | 000594-25 | Swivel Body x 1/2-14 NPT               |
| 4        | 002534-25 | Close Nipple, 1/2"                     |
| 5        | 011755-45 | VR Screw                               |
| 6        | 001660-45 | Blue Index-CW                          |
| 7        | 010027-40 | Solid Brass Chrome Plated Lever Handle |
| 8        | 006482-40 | Big-Flo Cartridge, RTC                 |
| 9        | 000764-20 | Seat, Big-Flo                          |
| 10       | 000013-40 | Flange, 1/2" NPT Wall Mount            |
| 11       | B-0425    | 1/2" NPT Supply Nipple Kit             |
| 12       | 000999-45 | Brass Lock Washer                      |
| 13       | 002954-45 | Shank Lock Nut                         |



**014075-45**  
Vandal Resistant  
Spanner Bit  
(Included)

**Product Specifications:**

"Big-Flo" Valve Faucet, Solid Brass Chrome Plated Lever Handle w/ VR Screw, 12" Swing Nozzle w/ Plain End & 1/2" NPT Supply Nipple Inlet

**Product Compliance:**

ASME A112.18.1 / CSA B125.1  
NSF 61 - Section 9  
NSF 372 (Low Lead Content)  
ANSI A117.1 (ADA)