



**T&S BRASS AND BRONZE WORKS, INC.**  
 2 Saddleback Cove / P.O. Box 1088  
 Travelers Rest, SC 29690

Model No.

**B-0296-LN**

Item No.

Travelers Rest, SC: 800-476-4103 • Simi Valley, CA: 800-423-0150 • Fax: 864-834-3518 • www.tsbrass.com



**ADA Compliant**

This Space for Architect/Engineer Approval

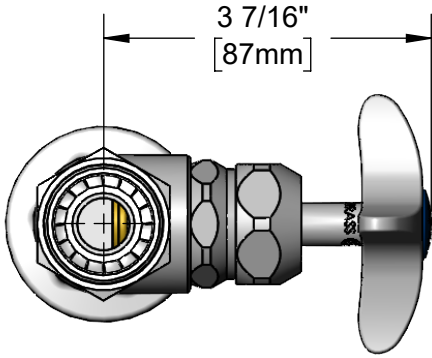
Job Name \_\_\_\_\_ Date \_\_\_\_\_

Model Specified \_\_\_\_\_ Quantity \_\_\_\_\_

Customer/Wholesaler \_\_\_\_\_

Contractor \_\_\_\_\_

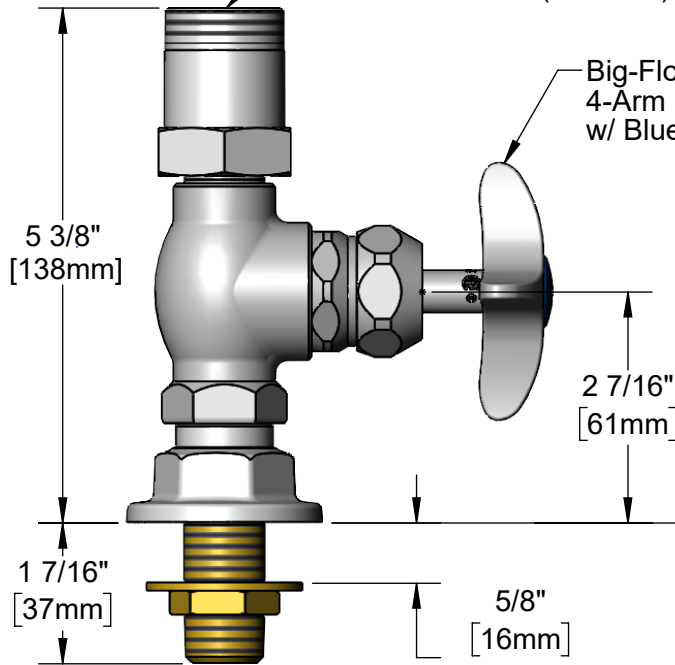
Architect/Engineer \_\_\_\_\_



3 7/16"  
[87mm]



Swivel Outlet Accepts  
T&S Big-Flo Swing Nozzles,  
Converts to Rigid w/ 016807-45  
Lock Washer (Included)



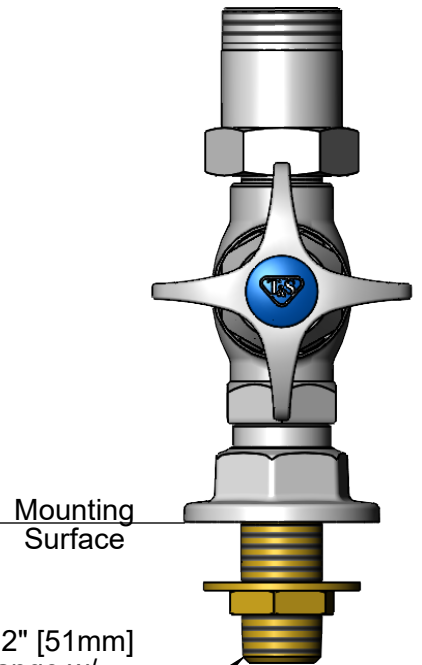
5 3/8"  
[138mm]

Big-Flo Cartridge &  
4-Arm Kitchen Handle  
w/ Blue Color Coded Index

2 7/16"  
[61mm]

1 7/16"  
[37mm]

5/8"  
[16mm]  
Maximum  
Thickness



Mounting  
Surface

Ø 2" [51mm]  
Flange w/  
1/2" NPT  
Male Inlet

Rough-in Requirement:  
Ø 1" [25mm] Mounting Hole

Product Specifications:  
Single Hole Single Temperature Big-Flo Faucet Less Nozzle, 4-Arm Handle &  
1/2" NPT Supply Nipple Kit

Product Compliance:  
ASME A112.18.1 / CSA B125.1  
NSF 61 - Section 9  
NSF 372 (Low Lead Content)  
ANSI A117.1 (ADA)



# T&S BRASS AND BRONZE WORKS, INC.

2 Saddleback Cove / P.O. Box 1088  
Travelers Rest, SC 29690

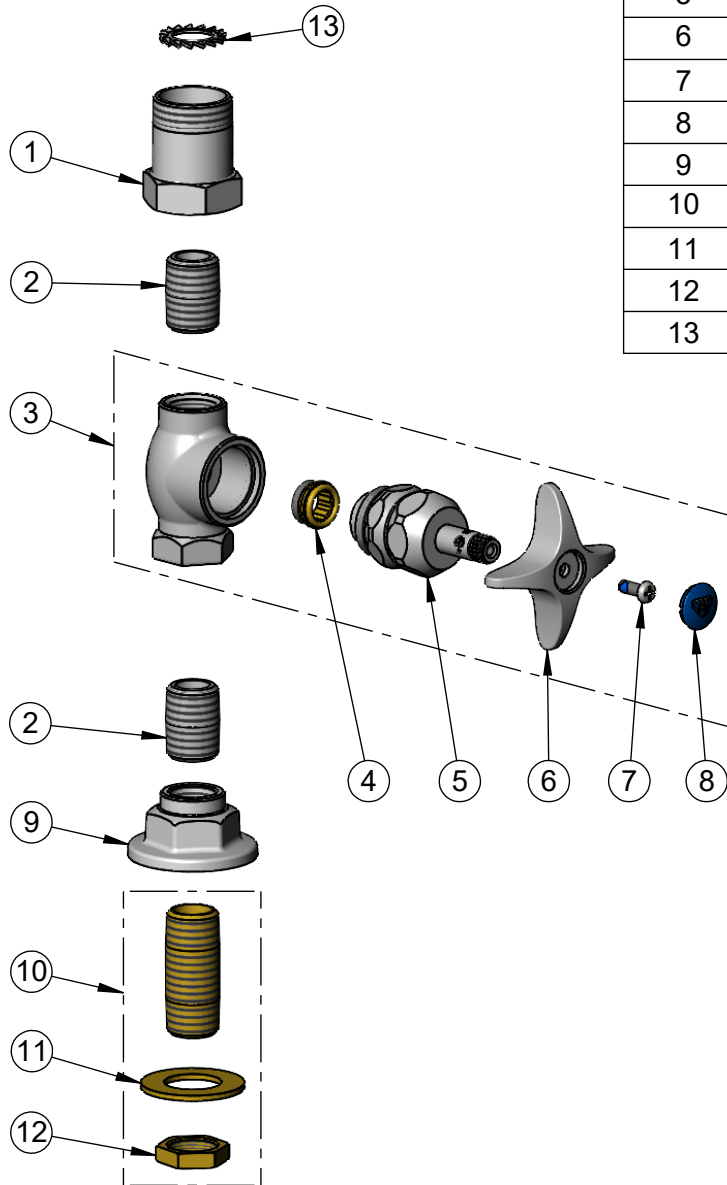
Model No.

**B-0296-LN**

Item No.

Travelers Rest, SC: 800-476-4103 • Simi Valley, CA: 800-423-0150 • Fax: 864-834-3518 • www.tsbrass.com

ITEM NO.	SALES NO.	DESCRIPTION
1	000594-25	Swivel Body x 1/2-14 NPT
2	002534-25	Close Nipple, 1/2" NPT
3	002900-40	Valve Assembly w/ 4-Arm Handle
4	000764-20	Seat, Big-Flo
5	006482-40NS	Big-Flo Cartridge, RTC
6	002521-45NS	4-Arm Handle (New Style)
7	000925-45	Lab Handle Screw
8	018506-19NS	Blue Button Index, Press-in
9	B-0445	1" Faucet Inlet Extension
10	B-0425	1/2" NPT Supply Nipple Kit
11	000999-45	Brass Lock Washer
12	002954-45	Shank Lock Nut
13	016807-45	Serrated Lock Washer



**Product Specifications:**

Single Hole Single Temperature Big-Flo Faucet Less Nozzle, 4-Arm Handle & 1/2" NPT Supply Nipple Kit

**Product Compliance:**

ASME A112.18.1 / CSA B125.1  
NSF 61 - Section 9  
NSF 372 (Low Lead Content)  
ANSI A117.1 (ADA)