



T&S BRASS AND BRONZE WORKS, INC.

2 Saddleback Cove / P.O. Box 1088
Travelers Rest, SC 29690

Model No.

B-0296-BKT

Item No.

Travelers Rest, SC: 800-476-4103 • Simi Valley, CA: 800-423-0150 • Fax: 864-834-3518 • www.tsbrass.com



ADA Compliant

This Space for Architect/Engineer Approval

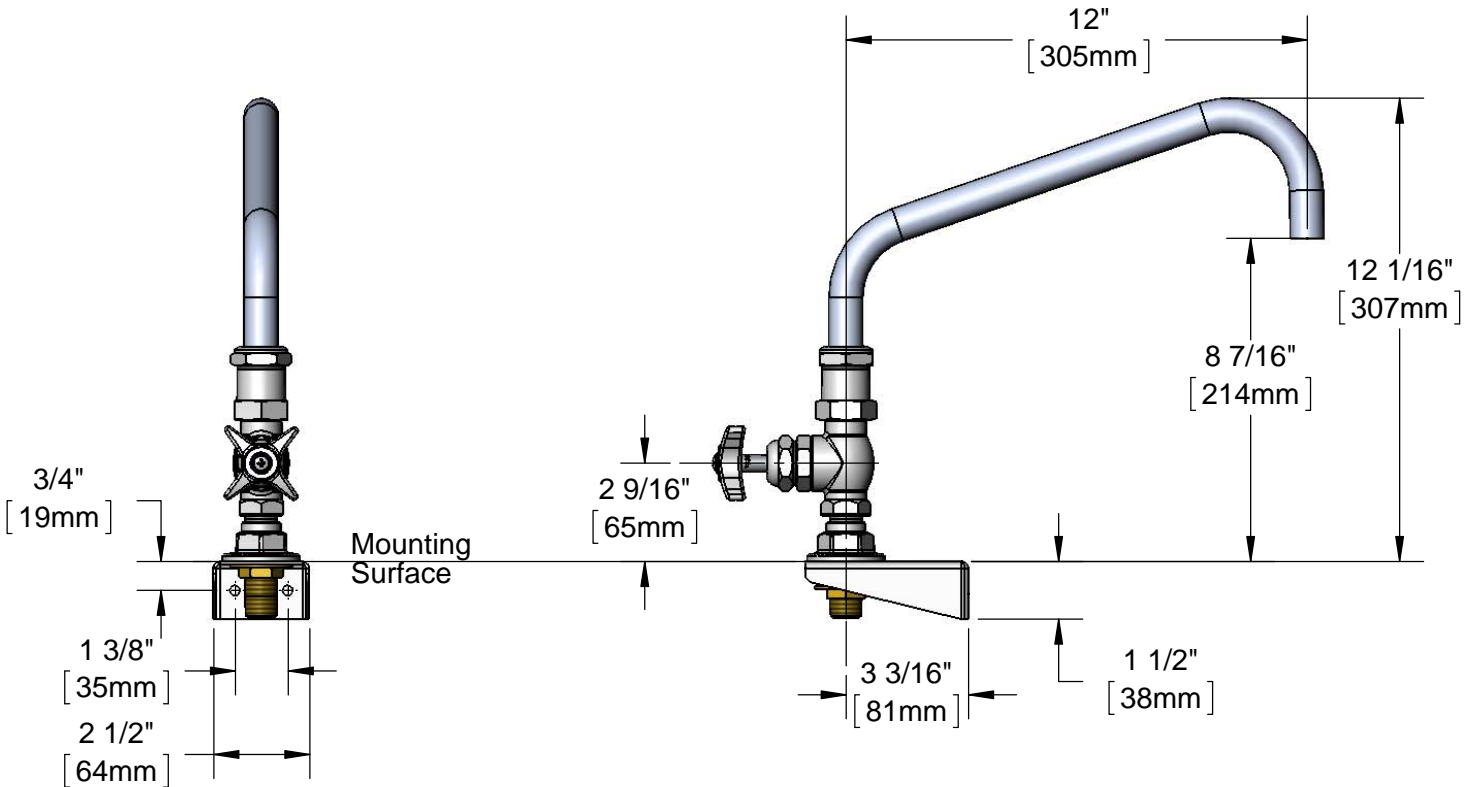
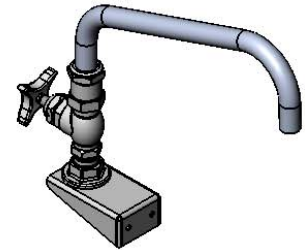
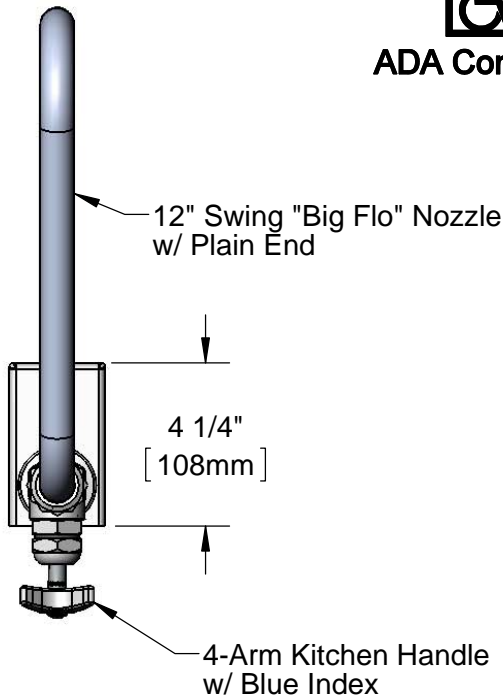
Job Name _____ Date _____

Model Specified _____ Quantity _____

Customer/Wholesaler _____

Contractor _____

Architect/Engineer _____



Product Specifications:
"Big- Flo" Kettle Filler Faucet w/ 4-Arm Handle, 12" Plain End
Nozzle Assembly & Stainless Steel Mounting Bracket

Product Compliance:
ASME A112.18.1 / CSA B125.1
NSF 61 - Section 9
NSF 372 (Low Lead Content)
ANSI A117.1 (ADA)

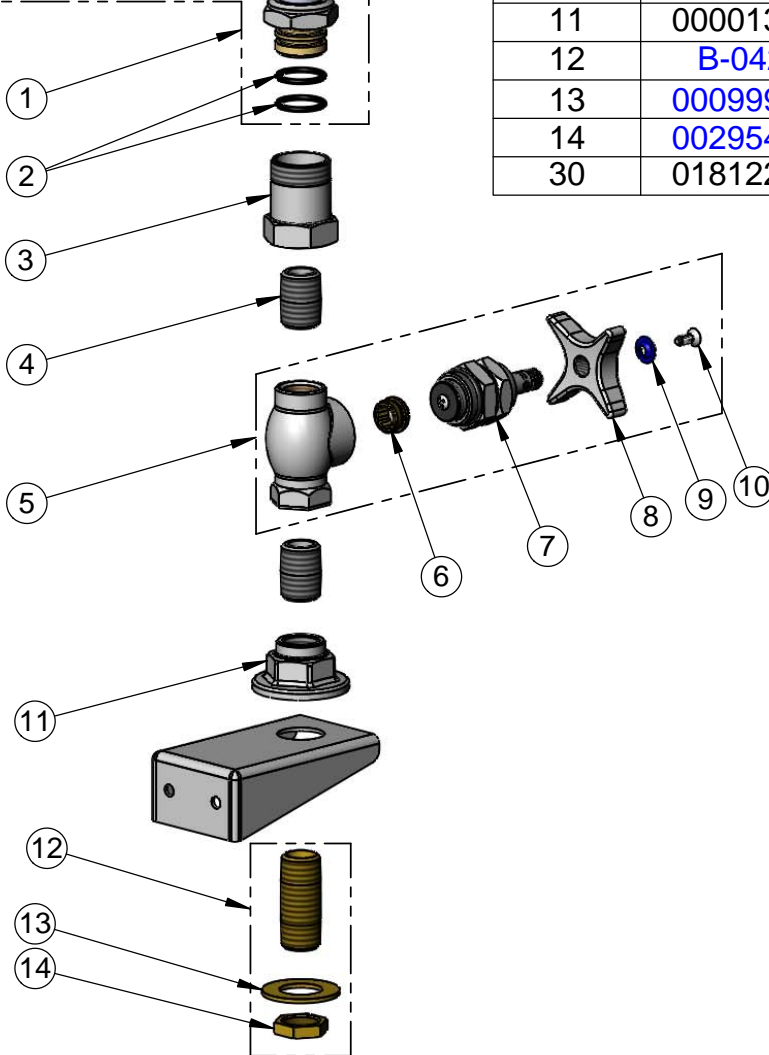
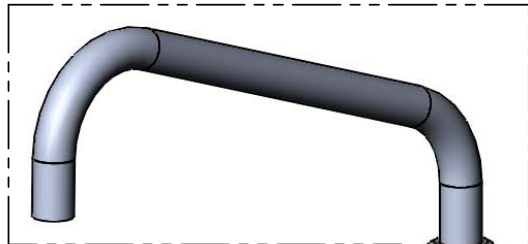


T&S BRASS AND BRONZE WORKS, INC.
 2 Saddleback Cove / P.O. Box 1088
 Travelers Rest, SC 29690

Model No.
B-0296-BKT

Item No.

Travelers Rest, SC: 800-476-4103 • Simi Valley, CA: 800-423-0150 • Fax: 864-834-3518 • www.tsbrass.com



ITEM NO.	SALES NO.	DESCRIPTION
1	114X	12" Big Flo Swing Nozzle Asm
2	001068-45	O-ring
3	000594-25	Swivel Body x 1/2-14 NPT
4	002534-25	Close Nipple, 1/2"
5	002900-40	Valve w/ 4-Arm Handle
6	000764-20	Seat, Big-Flo
7	006482-40	Big-Flo Cartridge, RTC
8	002521-45	4-Arm Handle
9	001660-45	Blue Index-CW
10	000922-45	Lever Handle Screw
11	000013-40	Flange, 1/2" NPT Wall Mount
12	B-0425	1/2" NPT Supply Nipple Kit
13	000999-45	Brass Lock Washer
14	002954-45	Shank Lock Nut
30	018122-45	Mounting Bracket, B-0296-BKT

Product Specifications:
 "Big- Flo" Kettle Filler Faucet w/ 4-Arm Handle, 12" Plain End
 Nozzle Assembly & Stainless Steel Mounting Bracket

Product Compliance:
 ASME A112.18.1 / CSA B125.1
 NSF 61 - Section 9
 NSF 372 (Low Lead Content)
 ANSI A117.1 (ADA)