



# T&S BRASS AND BRONZE WORKS, INC.

2 Saddleback Cove / P.O. Box 1088  
Travelers Rest, SC 29690

Model No.

**B-0295**

Item No.

Travelers Rest, SC: 800-476-4103 • Simi Valley, CA: 800-423-0150 • Fax: 864-834-3518 • www.tsbrass.com

This Space for Architect/Engineer Approval

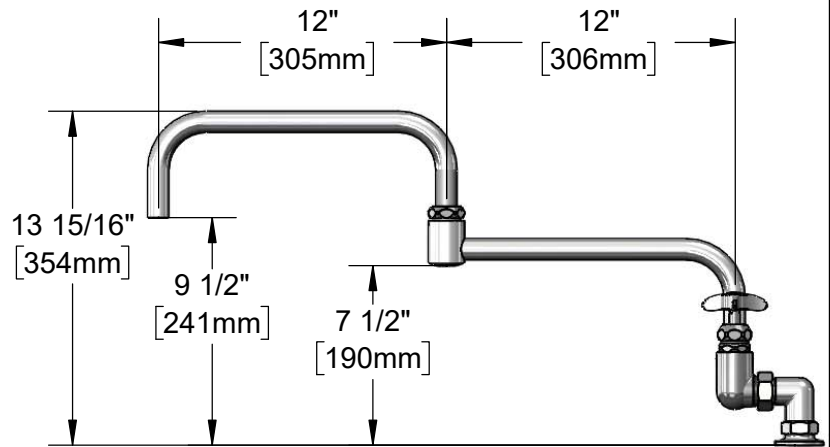
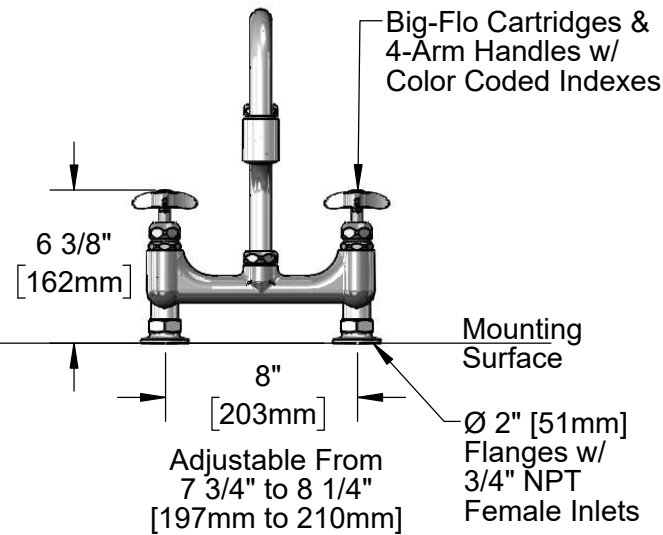
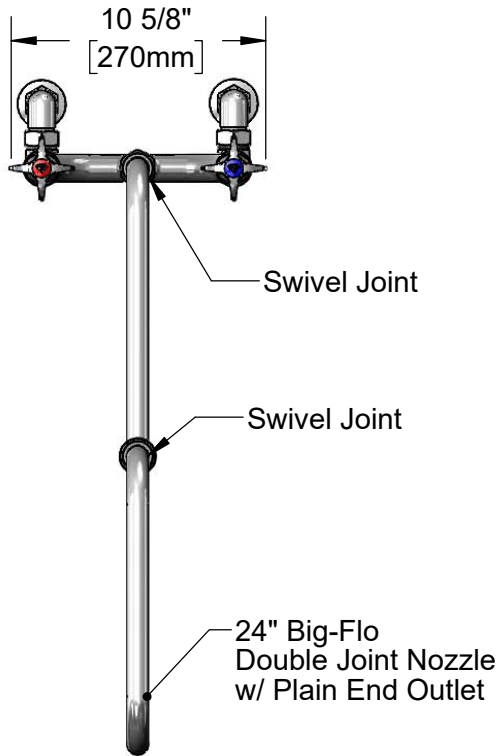
Job Name \_\_\_\_\_ Date \_\_\_\_\_

Model Specified \_\_\_\_\_ Quantity \_\_\_\_\_

Customer/Wholesaler \_\_\_\_\_

Contractor \_\_\_\_\_

Architect/Engineer \_\_\_\_\_



**Product Specifications:**

8" Deck Mount Big-Flo Mixing Faucet, Big-Flo Cartridges, 4-Arm Handles, 24" Double Joint Big-Flo Swing Nozzle & 3/4" NPT Female Inlets

**Product Compliance:**

ASME A112.18.1 / CSA B125.1  
NSF 61 - Section 9  
NSF 372 (Low Lead Content)  
ANSI A117.1 (ADA)



# T&S BRASS AND BRONZE WORKS, INC.

2 Saddleback Cove / P.O. Box 1088  
Travelers Rest, SC 29690

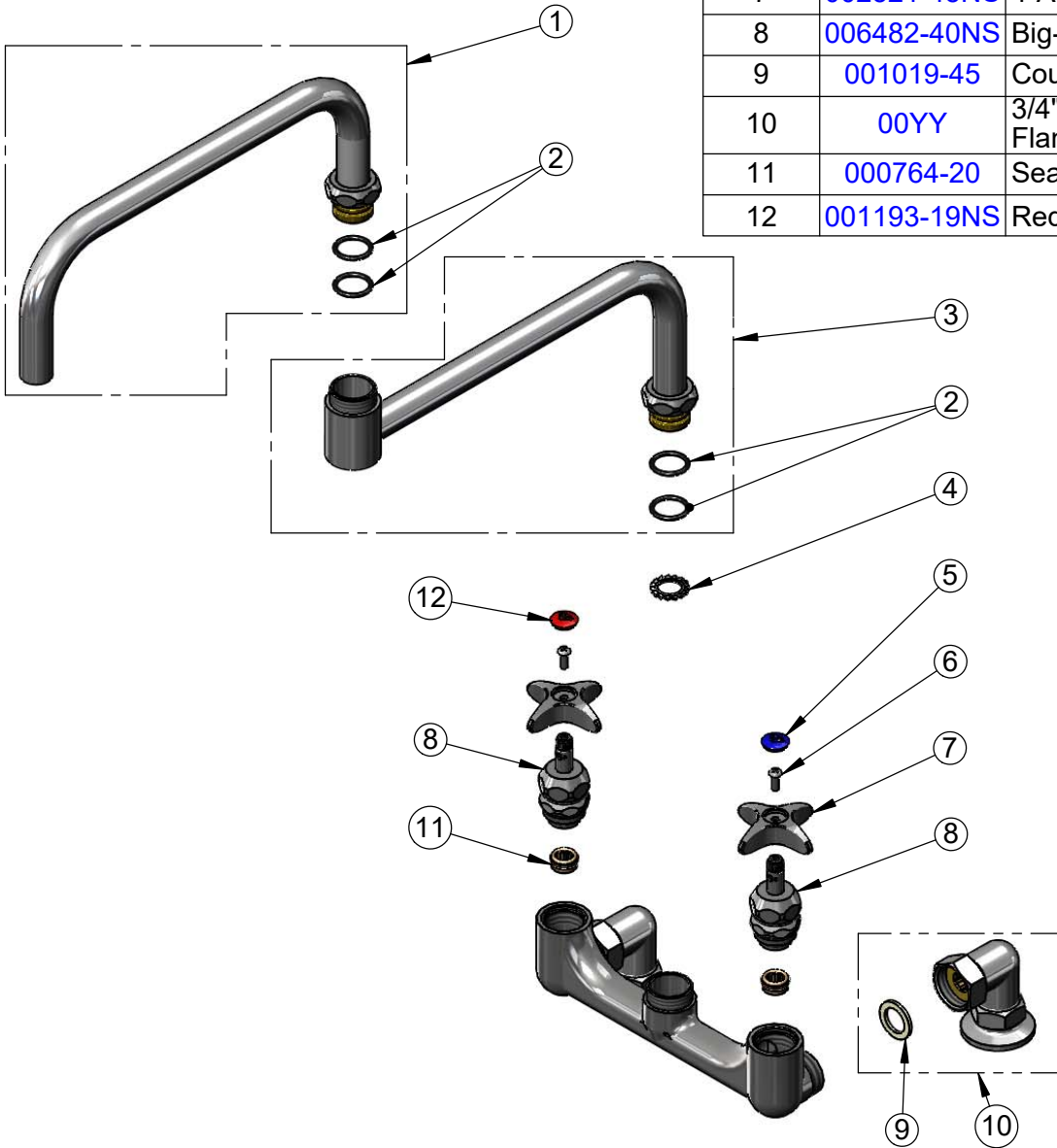
Model No.

**B-0295**

Item No.

Travelers Rest, SC: 800-476-4103 • Simi Valley, CA: 800-423-0150 • Fax: 864-834-3518 • www.tsbrass.com

| ITEM NO. | SALES NO.   | DESCRIPTION                  |
|----------|-------------|------------------------------|
| 1        | 117X        | 12" Big-Flo Front Section    |
| 2        | 001068-45   | O-ring                       |
| 3        | 118X        | 12" Big-Flo Back Section     |
| 4        | 016807-45   | Serrated Lock Washer         |
| 5        | 018506-19NS | Blue Button Index, Press-in  |
| 6        | 000925-45   | Lab Handle Screw             |
| 7        | 002521-45NS | 4-Arm Handle (New Style)     |
| 8        | 006482-40NS | Big-Flo Cartridge, RTC       |
| 9        | 001019-45   | Coupling Nut Washer          |
| 10       | 00YY        | 3/4" NPT Female Elbow Flange |
| 11       | 000764-20   | Seat, Big-Flo                |
| 12       | 001193-19NS | Red Button Index, Press-in   |



**Product Specifications:**

8" Deck Mount Big-Flo Mixing Faucet, Big-Flo Cartridges, 4-Arm Handles, 24" Double Joint Big-Flo Swing Nozzle & 3/4" NPT Female Inlets

**Product Compliance:**

ASME A112.18.1 / CSA B125.1  
NSF 61 - Section 9  
NSF 372 (Low Lead Content)  
ANSI A117.1 (ADA)