



T&S BRASS AND BRONZE WORKS, INC.

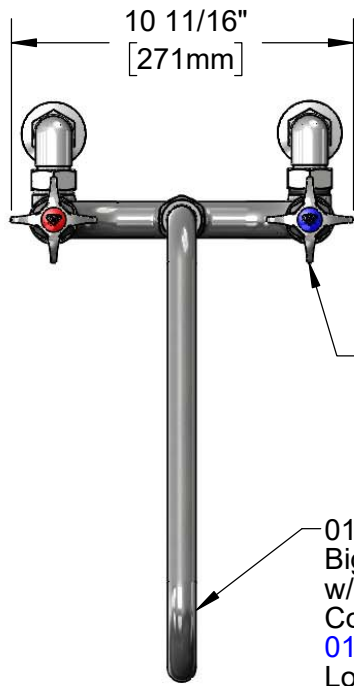
2 Saddleback Cove / P.O. Box 1088
Travelers Rest, SC 29690

Model No.

B-0293-14

Item No.

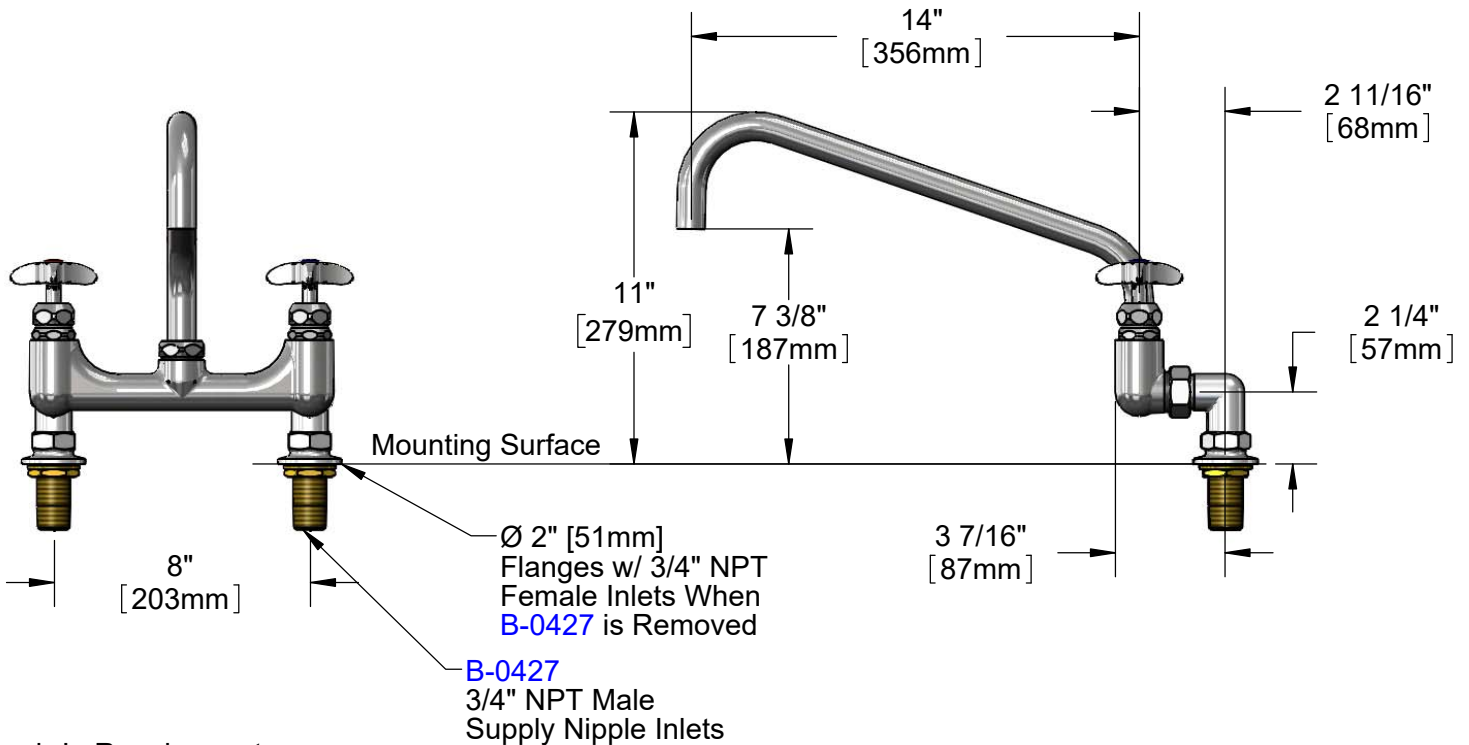
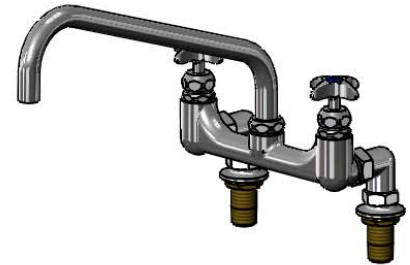
Travelers Rest, SC: 800-476-4103 • Simi Valley, CA: 800-423-0150 • Fax: 864-834-3518 • www.tsbrass.com



ADA Compliant

Big-Flo Cartridges & 4-Arm Handles w/ Color Coded Indexes

014662-40 Big-Flo 14" Swing Nozzle w/ Plain End Outlet. Converts to Rigid w/ 016807-45 Lock Washer (Included)



Rough-In Requirement:
Ø 1 1/2" [38mm] Holes

Product Specifications:
8" Wall Mount Mixing Faucet w/ Big-Flo 14" Swing Nozzle, 4-Arm Handles & 3/4" NPT Male Supply Nipple Inlets

Product Compliance:
ASME A112.18.1 / CSA B125.1
NSF 61 - Section 9
NSF 372 (Low Lead Content)
ANSI A117.1 (ADA)

This Space for Architect/Engineer Approval
Job Name _____ Date _____
Model Specified _____ Quantity _____
Customer/Wholesaler _____
Contractor _____
Architect/Engineer _____



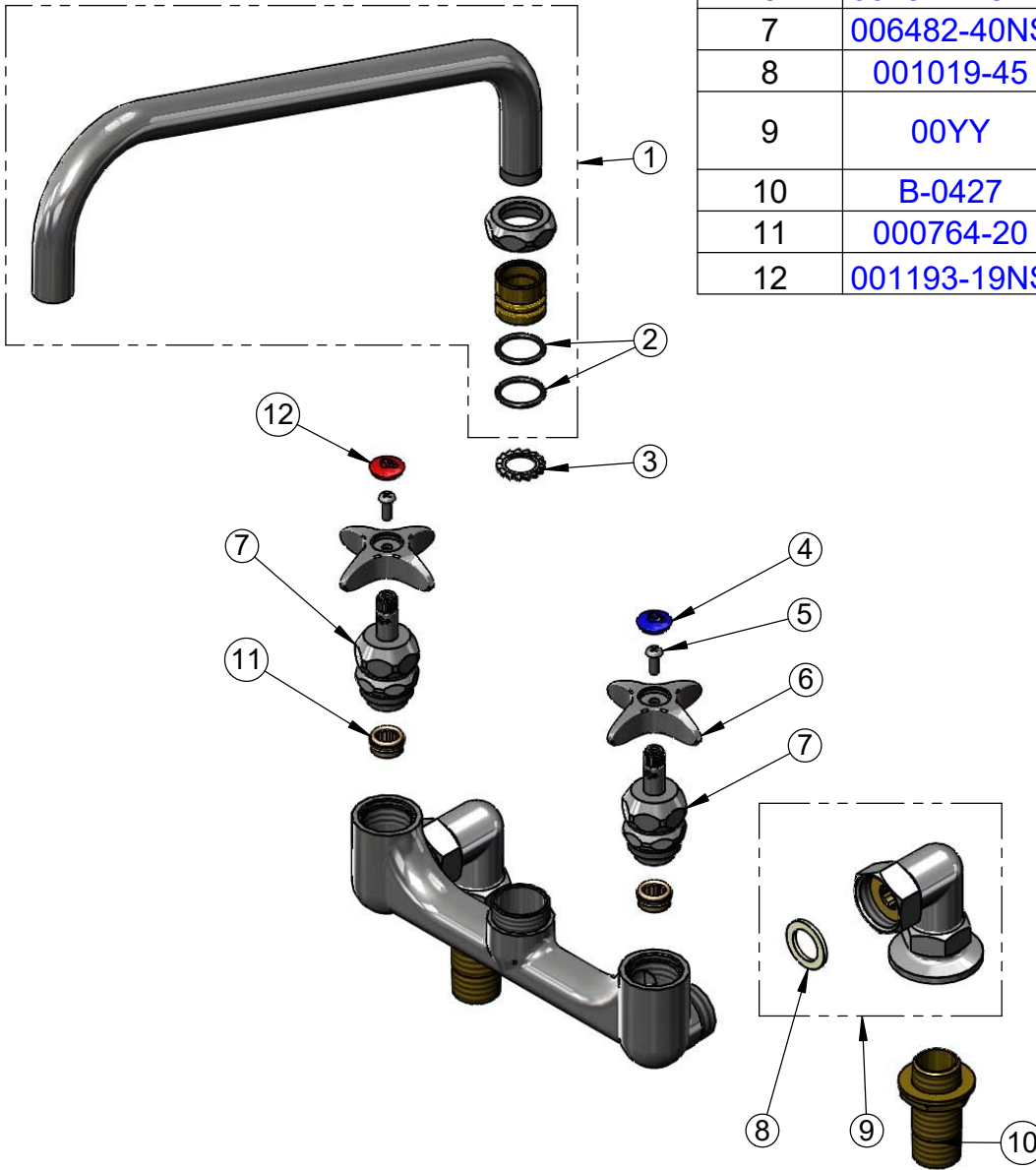
T&S BRASS AND BRONZE WORKS, INC.
 2 Saddleback Cove / P.O. Box 1088
 Travelers Rest, SC 29690

Model No.
B-0293-14

Item No.

Travelers Rest, SC: 800-476-4103 • Simi Valley, CA: 800-423-0150 • Fax: 864-834-3518 • www.tsbrass.com

ITEM NO.	SALES NO.	DESCRIPTION
1	014462-40	14" Big-Flo Swing Nozzle
2	001068-45	O-ring
3	016807-45	Serrated Lock Washer
4	018506-19NS	Blue Button Index, Press-in
5	000925-45	Lab Handle Screw
6	002521-45NS	4-Arm Handle (New Style)
7	006482-40NS	Big-Flo Cartridge, RTC
8	001019-45	Coupling Nut Washer
9	00YY	Elbow Flange Assembly, 3/4" NPT Female
10	B-0427	3/4" NPT Supply Nipple
11	000764-20	Seat, Big-Flo
12	001193-19NS	Red Button Index, Press-in



Product Specifications:
 8" Wall Mount Mixing Faucet w/ Big-Flo 14" Swing Nozzle, 4-Arm Handles & 3/4" NPT Male Supply Nipple Inlets

Product Compliance:
 ASME A112.18.1 / CSA B125.1
 NSF 61 - Section 9
 NSF 372 (Low Lead Content)
 ANSI A117.1 (ADA)