



# T&S BRASS AND BRONZE WORKS, INC.

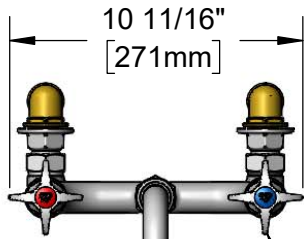
2 Saddleback Cove / P.O. Box 1088  
Travelers Rest, SC 29690

Model No.

**B-0292**

Item No.

Travelers Rest, SC: 800-476-4103 • Simi Valley, CA: 800-423-0150 • Fax: 864-834-3518 • www.tsbrass.com



10 11/16"  
[271mm]



**ADA Compliant**

This Space for Architect/Engineer Approval

Job Name \_\_\_\_\_ Date \_\_\_\_\_

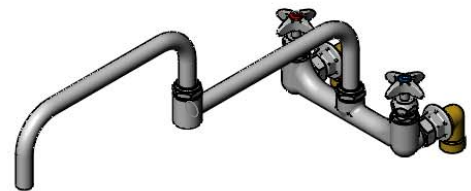
Model Specified \_\_\_\_\_ Quantity \_\_\_\_\_

Customer/Wholesaler \_\_\_\_\_

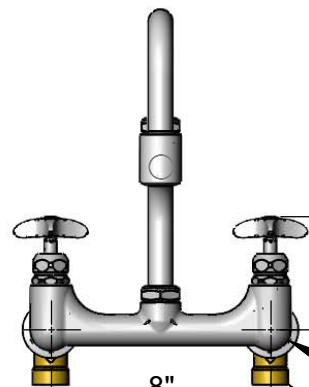
Contractor \_\_\_\_\_

Architect/Engineer \_\_\_\_\_

Big-Flo Cartridges &  
4-Arm Handles w/  
Color Coded Indexes



116X  
24" Big-Flo Double Joint Swing  
Nozzle w/ Plain End Outlet



8"  
[203mm]

4 1/8"  
[105mm]

11 11/16"  
[297mm]

7 1/4"  
[184mm]

5 1/4"  
[133mm]

24"  
[610mm]  
12"  
[305mm]  
2 1/2"  
[64mm]

Ø 2" [51mm] Flanges  
w/ 3/4" NPT Female Inlets

3/4" NPT Street Elbows

2"  
[51mm]

Fits Within  
2" [51mm]  
Space

Mounting  
Surface

Rough-In Requirement:  
Ø 1 1/4" [32mm] Mounting Holes

Product Specifications:  
8" Wall Mount Big-Flo Mixing Faucet, Big-Flo Cartridges, 4-Arm Handles,  
24" Big-Flo Double Joint Swing Nozzle, & 3/4" NPT Elbow Inlets

Product Compliance:  
ASME A112.18.1 / CSA B125.1  
NSF 61 - Section 9  
NSF 372 (Low Lead Content)  
ANSI A117.1 (ADA)



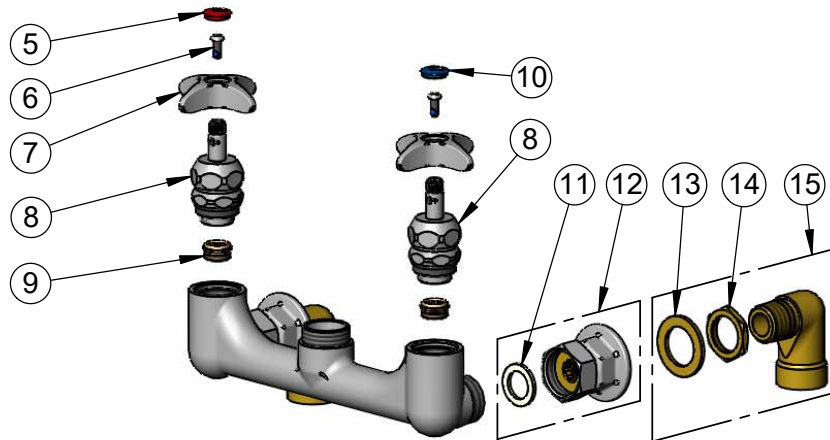
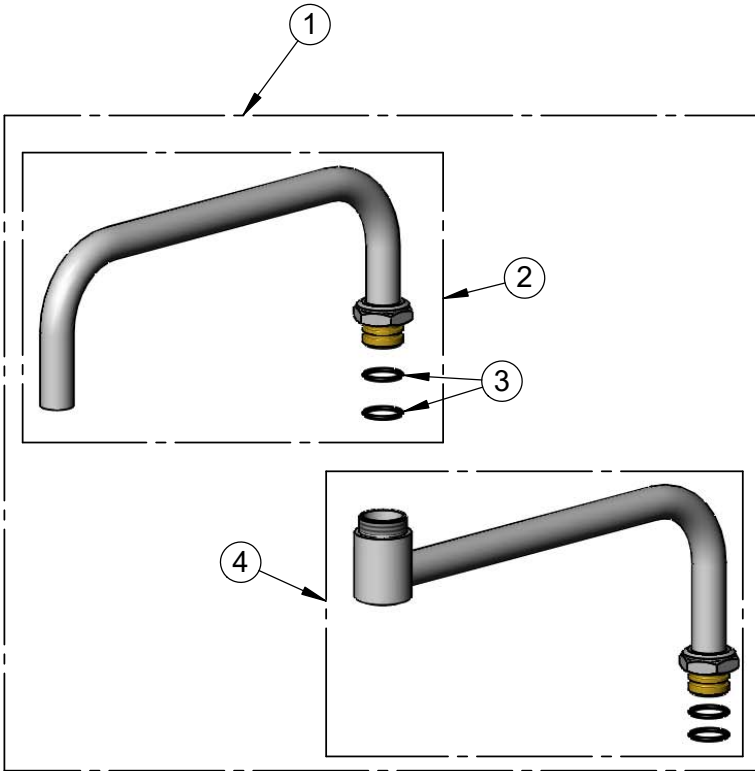
**T&S BRASS AND BRONZE WORKS, INC.**  
 2 Saddleback Cove / P.O. Box 1088  
 Travelers Rest, SC 29690

Model No.  
**B-0292**

Item No.

Travelers Rest, SC: 800-476-4103 • Simi Valley, CA: 800-423-0150 • Fax: 864-834-3518 • www.tsbrass.com

ITEM NO.	SALES NO.	DESCRIPTION
1	116X	24" Big-Flo Double Joint Swing Nozzle
2	117X	12" Big-Flo Front Section
3	001068-45	O-ring
4	118X	12" Big-Flo Back Section
5	001193-19NS	Red Button Index, Press-in
6	000925-45	Lab Handle Screw
7	002521-45NS	4-Arm Handle (New Style)
8	006482-40NS	Big-Flo Cartridge, RTC
9	000764-20	Seat, Big-Flo
10	018506-19NS	Blue Button Index, Press-in
11	001019-45	Coupling Nut Washer
12	00BB	3/4" NPT Female Eccentric Flange
13	001005-45	Washer
14	000971-45	Lock Nut, 3/4" NPSM
15	00LL	3/4" Short Elbow Inlet



Product Specifications:  
 8" Wall Mount Big-Flo Mixing Faucet, Big-Flo Cartridges, 4-Arm Handles,  
 24" Big-Flo Double Joint Swing Nozzle, & 3/4" NPT Elbow Inlets

Product Compliance:  
 ASME A112.18.1 / CSA B125.1  
 NSF 61 - Section 9  
 NSF 372 (Low Lead Content)  
 ANSI A117.1 (ADA)