



T&S BRASS AND BRONZE WORKS, INC.
 2 Saddleback Cove / P.O. Box 1088
 Travelers Rest, SC 29690

Model No.
B-0290-LN

Item No.

Travelers Rest, SC: 800-476-4103 • Simi Valley, CA: 800-423-0150 • Fax: 864-834-3518 • www.tsbrass.com



ADA Compliant

This Space for Architect/Engineer Approval

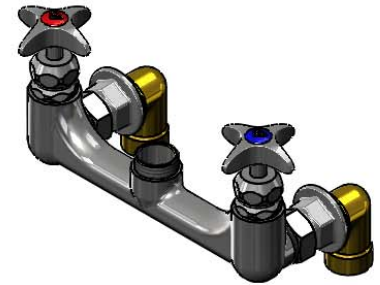
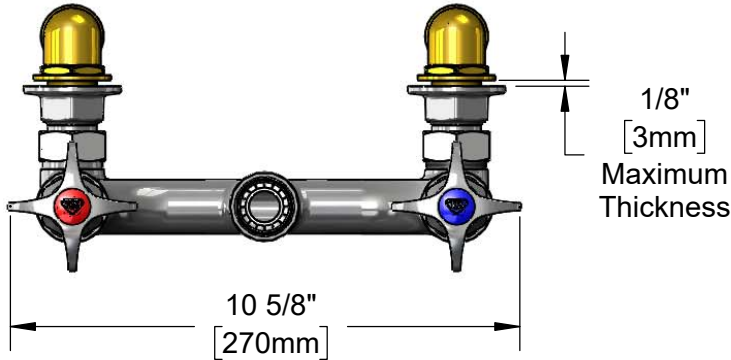
Job Name _____ Date _____

Model Specified _____ Quantity _____

Customer/Wholesaler _____

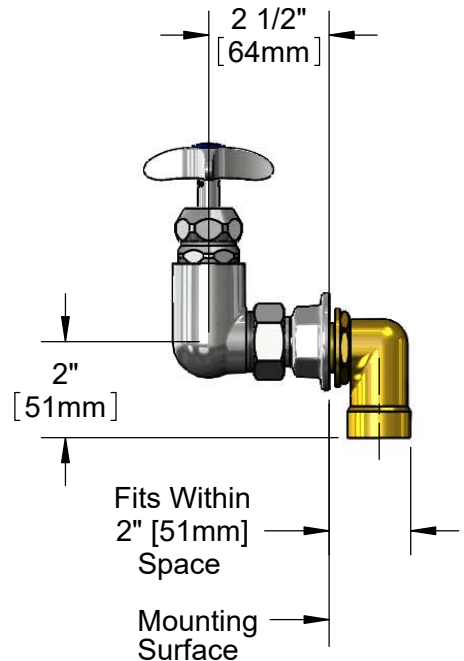
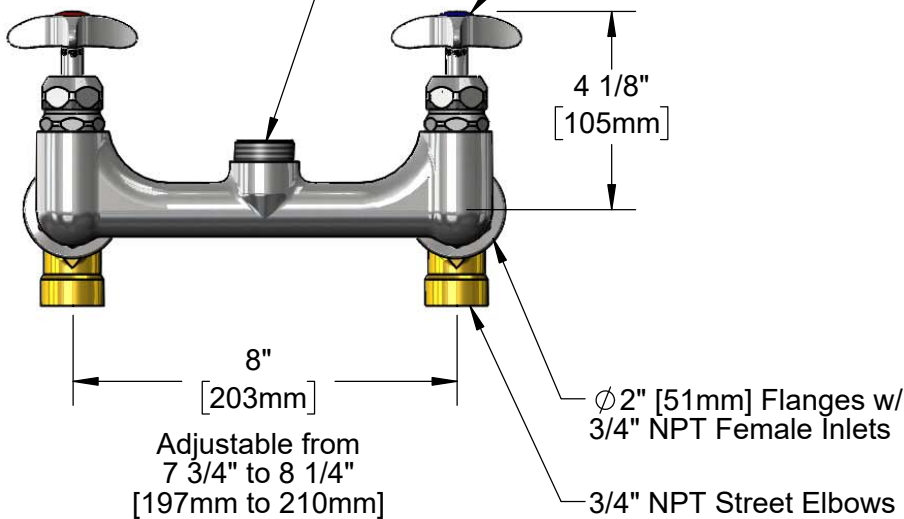
Contractor _____

Architect/Engineer _____



Swivel Outlet Accepts Standard T&S Big-Flo Swing Nozzles. Converts to Rigid w/ **016807-45** Lock Washer (Included)

Big-Flo Cartridges & 4-Arm Handles w/ Color Coded Indexes



Rough-In Requirement:
 (2) ϕ 1 1/4" [32mm] Mounting Holes

Product Specifications:
 8" Wall Mount Big-Flo Mixing Faucet Less Nozzle, Big-Flo Cartridges, 4-Arm Handles & 3/4" NPT Elbow Inlets

Product Compliance:
 ASME A112.18.1 / CSA B125.1
 NSF 61 - Section 9
 NSF 372 (Low Lead Content)
 ANSI A117.1 (ADA)



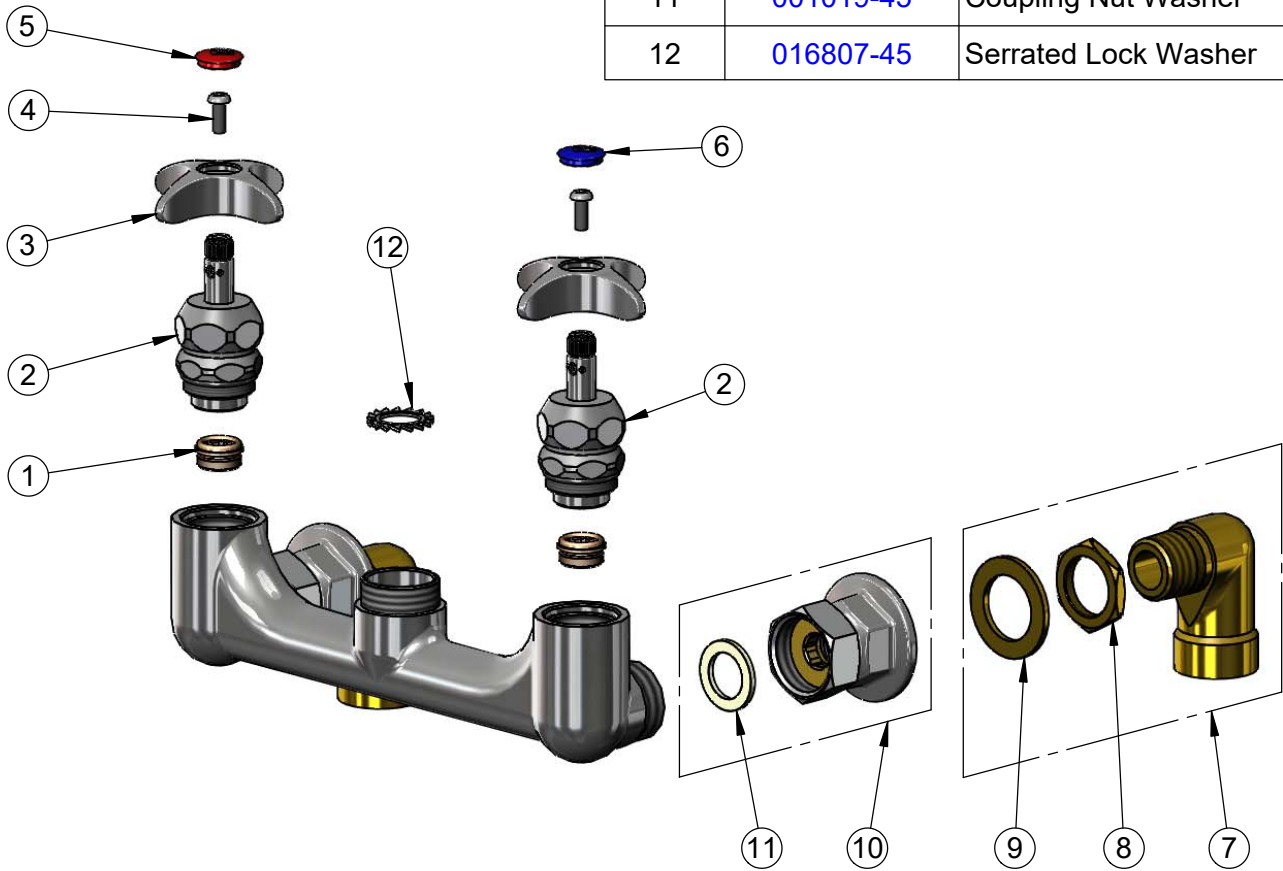
T&S BRASS AND BRONZE WORKS, INC.
 2 Saddleback Cove / P.O. Box 1088
 Travelers Rest, SC 29690

Model No.
B-0290-LN

Item No.

Travelers Rest, SC: 800-476-4103 • Simi Valley, CA: 800-423-0150 • Fax: 864-834-3518 • www.tsbrass.com

ITEM NO.	SALES NO.	DESCRIPTION
1	000764-20	Seat, Big-Flo
2	006482-40NS	Big-Flo Cartridge, RTC
3	002521-45NS	4-Arm Handle (New Style)
4	000925-45	Lab Handle Screw
5	001193-19NS	Red Button Index, Press-in
6	018506-19NS	Blue Button Index, Press-in
7	00LL	3/4" Short Elbow Inlet
8	000971-45	Lock Nut, 3/4" NPSM
9	001005-45	Washer
10	00BB	3/4" NPT Female Eccentric Flange
11	001019-45	Coupling Nut Washer
12	016807-45	Serrated Lock Washer



Product Specifications:
 8" Wall Mount Big-Flo Mixing Faucet Less Nozzle, Big-Flo Cartridges,
 4-Arm Handles & 3/4" NPT Elbow Inlets

Product Compliance:
 ASME A112.18.1 / CSA B125.1
 NSF 61 - Section 9
 NSF 372 (Low Lead Content)
 ANSI A117.1 (ADA)