



# T&S BRASS AND BRONZE WORKS, INC.

2 Saddleback Cove / P.O. Box 1088  
Travelers Rest, SC 29690

Model No.

**B-0290-AM**

Item No.

Travelers Rest, SC: 800-476-4103 • Simi Valley, CA: 800-423-0150 • Fax: 864-834-3518 • www.tsbrass.com



**ADA Compliant**

This Space for Architect/Engineer Approval

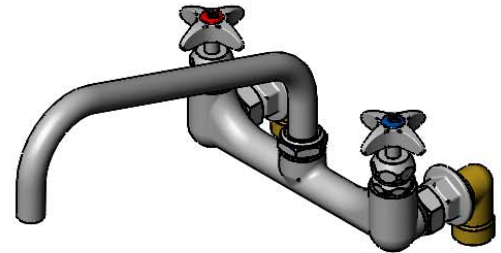
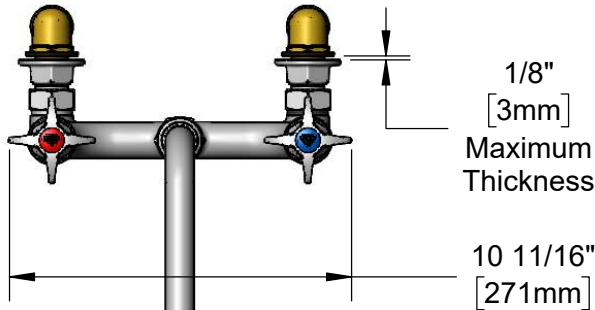
Job Name \_\_\_\_\_ Date \_\_\_\_\_

Model Specified \_\_\_\_\_ Quantity \_\_\_\_\_

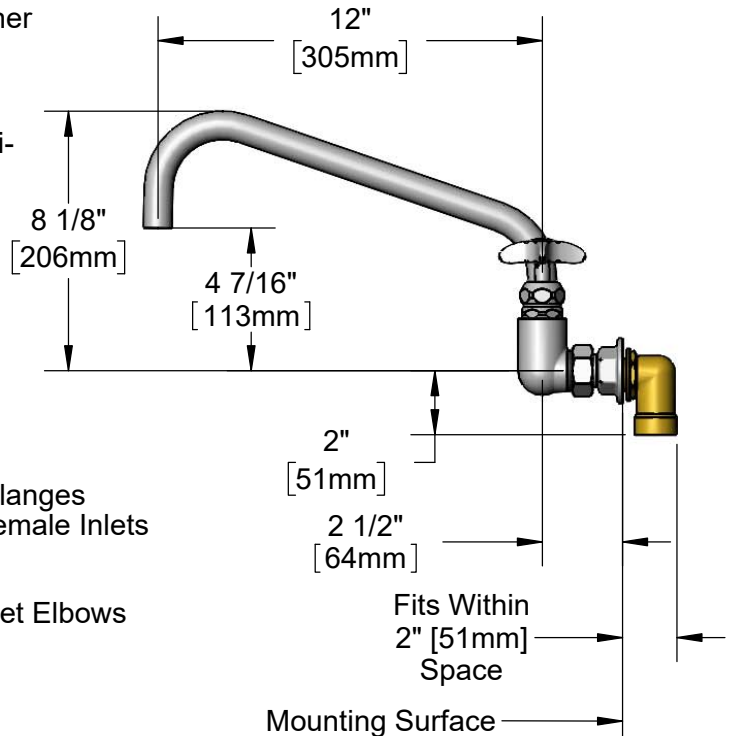
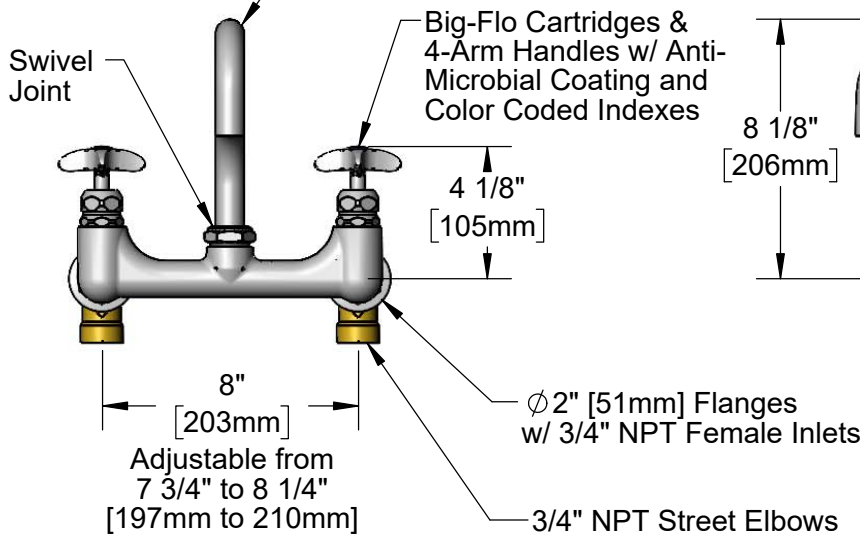
Customer/Wholesaler \_\_\_\_\_

Contractor \_\_\_\_\_

Architect/Engineer \_\_\_\_\_



114X  
12" Big-Flo Swing Nozzle  
w/ Plain End Outlet.  
Converts to Rigid with  
016807-45 Lock Washer  
(Included)



Rough-In Requirement:  
(2) Ø 1 1/4" [32mm] Mounting Holes

Product Specifications:  
8" Wall Mount Big-Flo Mixing Faucet, Big-Flo Cartridges, 4-Arm  
Handles w/ Anti-Microbial Coating, 12" Big-Flo Swing Nozzle &  
3/4" NPT Elbow Inlets

Product Compliance:  
ASME A112.18.1 / CSA B125.1  
NSF 61 - Section 9  
NSF 372 (Low Lead Content)  
ANSI A117.1 (ADA)



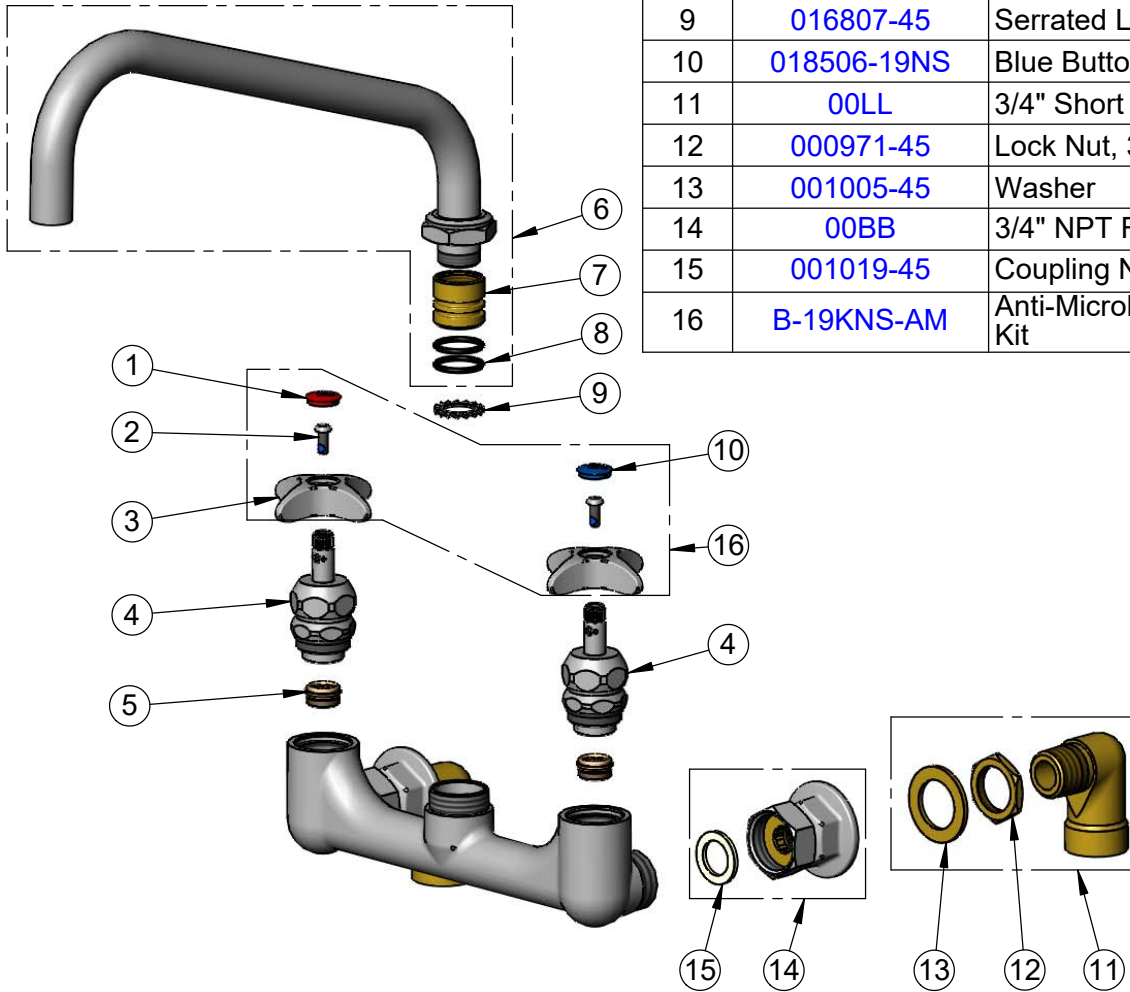
**T&S BRASS AND BRONZE WORKS, INC.**  
 2 Saddleback Cove / P.O. Box 1088  
 Travelers Rest, SC 29690

Model No.  
**B-0290-AM**

Item No.

Travelers Rest, SC: 800-476-4103 • Simi Valley, CA: 800-423-0150 • Fax: 864-834-3518 • www.tsbrass.com

| ITEM NO. | SALES NO.      | DESCRIPTION                             |
|----------|----------------|---|
| 1        | 001193-19NS    | Red Button Index, Press-in              |
| 2        | 000925-45      | Lab Handle Screw                        |
| 3        | 002521-45NS-AM | 4-Arm Handle w/ Anti-Microbial Coating  |
| 4        | 006482-40NS    | Big-Flo Cartridge, RTC                  |
| 5        | 000764-20      | Seat, Big-Flo                           |
| 6        | 114X           | 12" Big-Flo Swing Nozzle                |
| 7        | 000847-20      | Big-Flo Swivel Piece                    |
| 8        | 001068-45      | O-ring                                  |
| 9        | 016807-45      | Serrated Lock Washer                    |
| 10       | 018506-19NS    | Blue Button Index, Press-in             |
| 11       | 00LL           | 3/4" Short Elbow Inlet                  |
| 12       | 000971-45      | Lock Nut, 3/4" NPSM                     |
| 13       | 001005-45      | Washer                                  |
| 14       | 00BB           | 3/4" NPT Female Eccentric Flange        |
| 15       | 001019-45      | Coupling Nut Washer                     |
| 16       | B-19KNS-AM     | Anti-Microbial Coating 4-Arm Handle Kit |



Product Specifications:  
 8" Wall Mount Big-Flo Mixing Faucet, Big-Flo Cartridges, 4-Arm Handles w/ Anti-Microbial Coating, 12" Big-Flo Swing Nozzle & 3/4" NPT Elbow Inlets

Product Compliance:  
 ASME A112.18.1 / CSA B125.1  
 NSF 61 - Section 9  
 NSF 372 (Low Lead Content)  
 ANSI A117.1 (ADA)