



T&S BRASS AND BRONZE WORKS, INC.

2 Saddleback Cove / P.O. Box 1088
Travelers Rest, SC 29690

Model No.

B-0290-04

Item No.

Travelers Rest, SC: 800-476-4103 • Simi Valley, CA: 800-423-0150 • Fax: 864-834-3518 • www.tsbrass.com



ADA Compliant

This Space for Architect/Engineer Approval

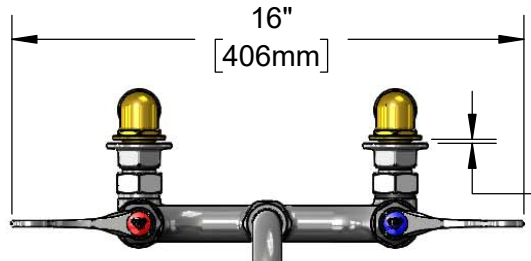
Job Name _____ Date _____

Model Specified _____ Quantity _____

Customer/Wholesaler _____

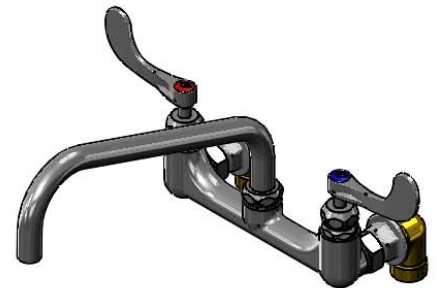
Contractor _____

Architect/Engineer _____



1/8"
[3mm]
Maximum
Thickness

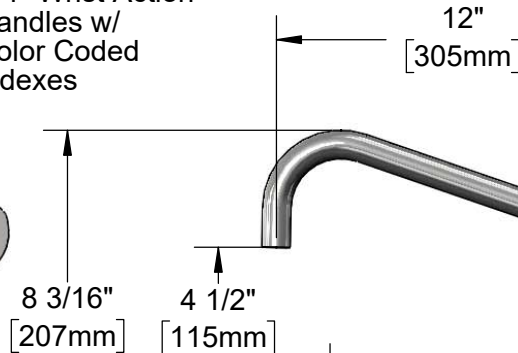
114X
12" Big-Flo Swing Nozzle
w/ Plain End Outlet.
Converts to Rigid w/
016807-45
Lock Washer (Included)



Big-Flo Cartridges
& 4" Wrist Action
Handles w/
Color Coded
Indexes

Swivel Joint

5 13/16"
[147mm]



8"
[203mm]
Adjustable from
7 3/4" to 8 1/4"
[197mm to 210mm]

1 15/16"
[49mm]

Ø2" [51mm] Flanges

3/4" NPT Female Inlets

2 1/2"
[64mm]

Fits Within
2" [51mm]
Space

Mounting Surface

Rough-In Requirement:
(2) Ø1 1/4" [382m] Mounting Holes

Product Specifications:

8" Wall Mount Big-Flo Mixing Faucet, Big-Flo Cartridges, 4" Wrist Action Handles, 12" Big-Flo Swing Nozzle & 3/4" NPT Female Inlets

Product Compliance:

ASME A112.18.1 / CSA B125.1
NSF 61 - Section 9
NSF 372 (Low Lead Content)
ANSI A117.1 (ADA)



T&S BRASS AND BRONZE WORKS, INC.

2 Saddleback Cove / P.O. Box 1088
Travelers Rest, SC 29690

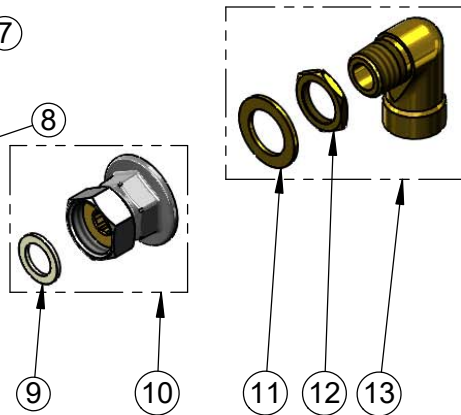
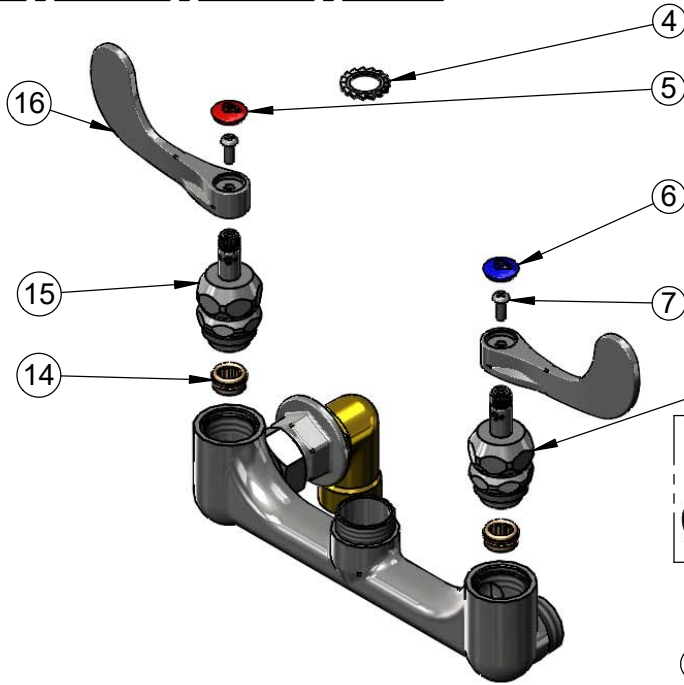
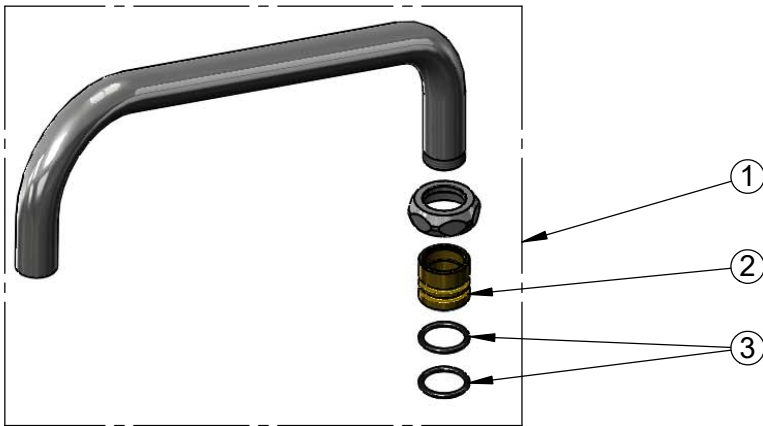
Model No.

B-0290-04

Item No.

Travelers Rest, SC: 800-476-4103 • Simi Valley, CA: 800-423-0150 • Fax: 864-834-3518 • www.tsbrass.com

ITEM NO.	SALES NO.	DESCRIPTION
1	114X	12" Big-Flo Swing Nozzle
2	000847-20	Big-Flo Swivel Piece
3	001068-45	O-ring
4	016807-45	Serrated Lock Washer
5	001193-19NS	Red Button Index, Press-in
6	018506-19NS	Blue Button Index, Press-in
7	000925-45	Lab Handle Screw
8	006481-40NS	Big-Flo Cartridge, LTC
9	001019-45	Coupling Nut Washer
10	00BB	3/4" NPT Female Eccentric Flange
11	001005-45	Washer
12	000971-45	Lock Nut, 3/4-14 NPSM
13	00LL	3/4" Short Elbow Inlet
14	000764-20	Seat, Big-Flo
15	006482-40NS	Big-Flo Cartridge, RTC
16	B-WH4-NS	Wrist Action Handle (New Style)



Product Specifications:

8" Wall Mount Big-Flo Mixing Faucet, Big-Flo Cartridges, 4" Wrist Action Handles, 12" Big-Flo Swing Nozzle & 3/4" NPT Female Inlets

Product Compliance:

ASME A112.18.1 / CSA B125.1
NSF 61 - Section 9
NSF 372 (Low Lead Content)
ANSI A117.1 (ADA)