



# T&S BRASS AND BRONZE WORKS, INC.

2 Saddleback Cove / P.O. Box 1088  
Travelers Rest, SC 29690

Model No.

**B-0290-01**

Item No.

Travelers Rest, SC: 800-476-4103 • Simi Valley, CA: 800-423-0150 • Fax: 864-834-3518 • www.tsbrass.com



**ADA Compliant**

This Space for Architect/Engineer Approval

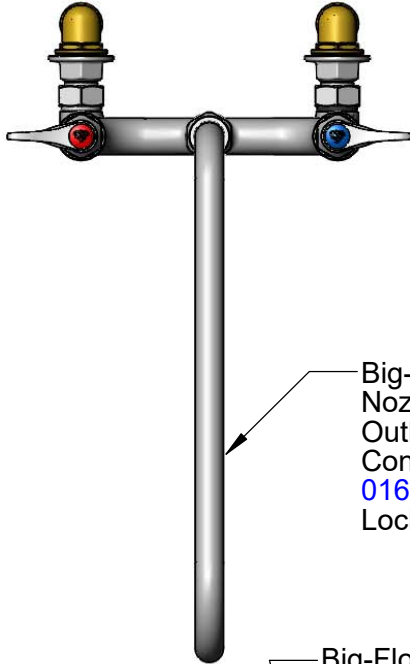
Job Name \_\_\_\_\_ Date \_\_\_\_\_

Model Specified \_\_\_\_\_ Quantity \_\_\_\_\_

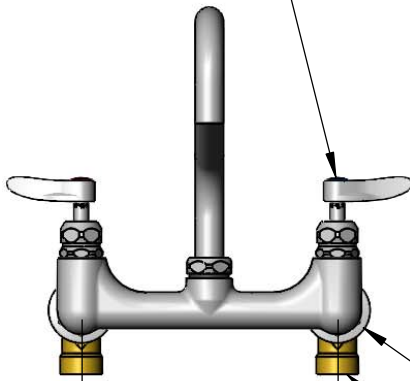
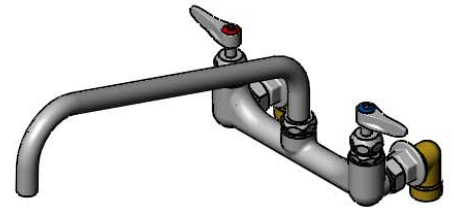
Customer/Wholesaler \_\_\_\_\_

Contractor \_\_\_\_\_

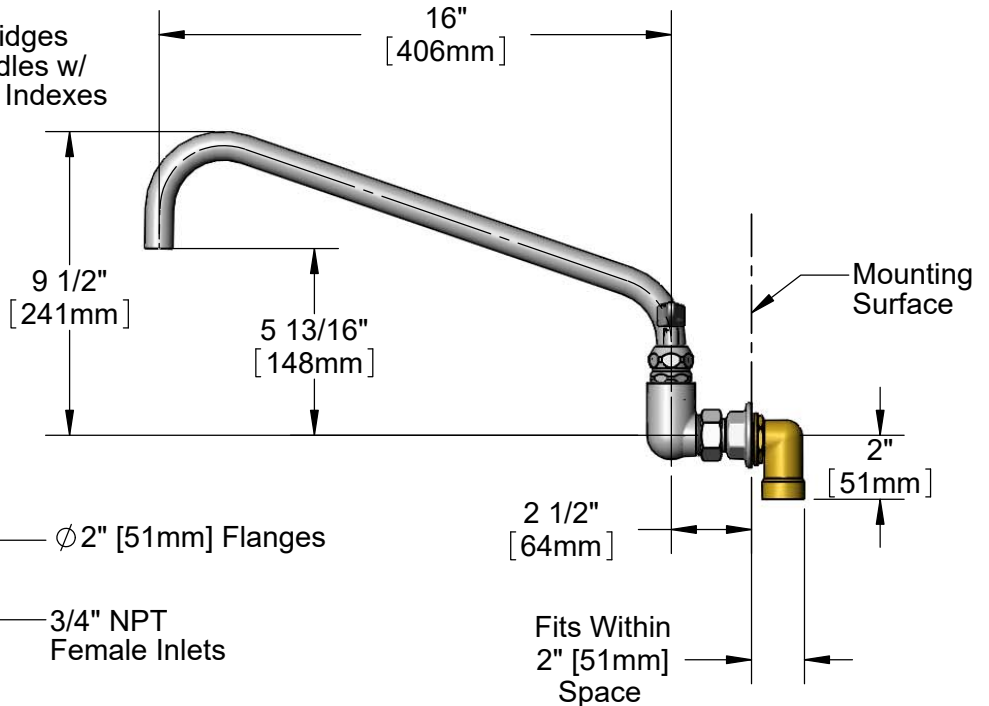
Architect/Engineer \_\_\_\_\_



Big-Flo 16" Swing  
Nozzle w/ Plain End  
Outlet.  
Converts to Rigid w/  
016807-45  
Lock Washer (Included)



Big-Flo Cartridges  
& Lever Handles w/  
Color Coded Indexes



8" [203mm]  
Adjustable from  
7 3/4" to 8 1/4"  
[197mm to 210mm]

Ø2" [51mm] Flanges

3/4" NPT  
Female Inlets

Mounting  
Surface

Fits Within  
2" [51mm]  
Space

**Rough-In Requirement:**  
(2) Ø 1 1/4" [382mm] Mounting Holes

**Product Specifications:**  
8" Wall Mount Big-Flo Mixing Faucet, Big-Flo Cartridges, Lever Handles,  
16" Big-Flo Swing Nozzle & 3/4" NPT Female Inlets

**Product Compliance:**  
ASME A112.18.1 / CSA B125.1  
NSF 61 - Section 9  
NSF 372 (Low Lead Content)  
ANSI A117.1 (ADA)



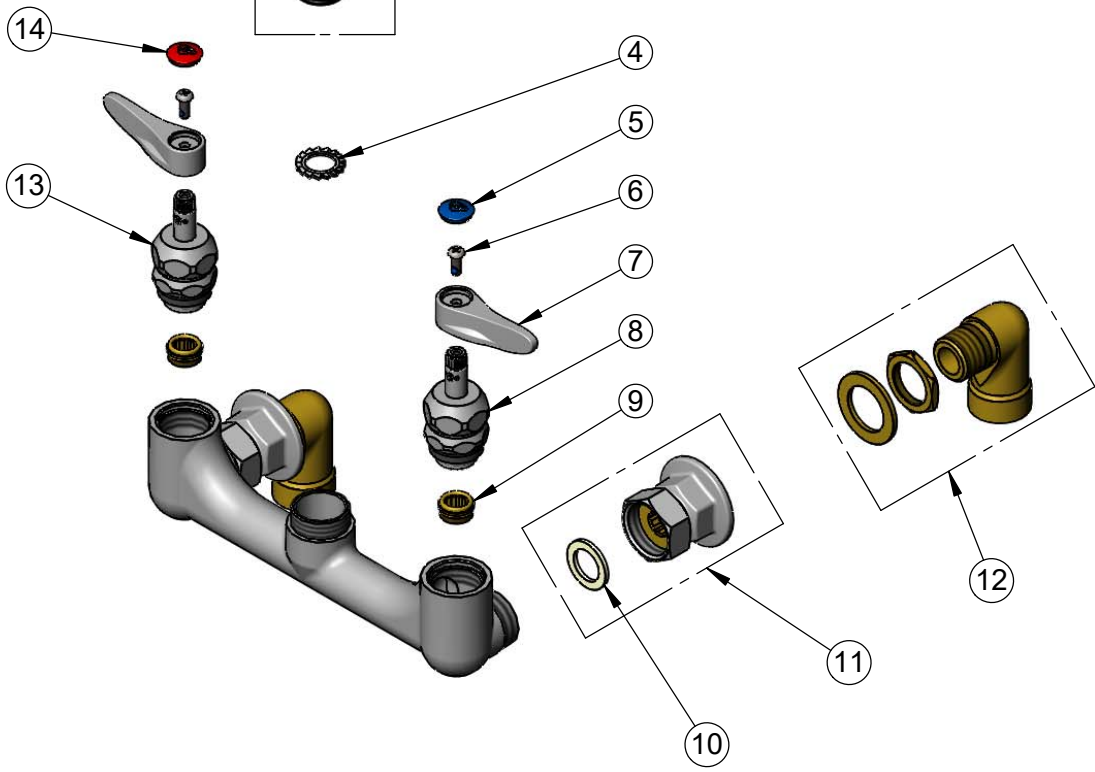
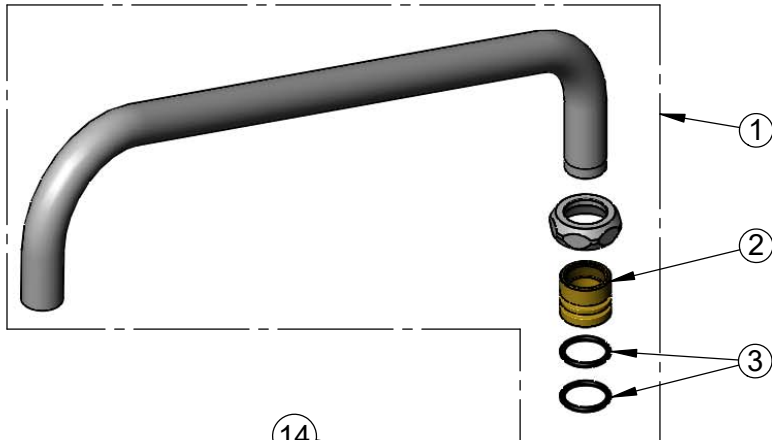
**T&S BRASS AND BRONZE WORKS, INC.**  
 2 Saddleback Cove / P.O. Box 1088  
 Travelers Rest, SC 29690

Model No.  
**B-0290-01**

Item No.

Travelers Rest, SC: 800-476-4103 • Simi Valley, CA: 800-423-0150 • Fax: 864-834-3518 • www.tsbrass.com

ITEM NO.	SALES NO.	DESCRIPTION
1	015297-40	16" Big-Flo Swing Nozzle
2	000847-20	Big-Flo Swivel Piece
3	001068-45	O-ring
4	016807-45	Serrated Lock Washer
5	018506-19NS	Blue Button Index, Press-in
6	000925-45	Lab Handle Screw
7	001638-45NS	Lever Handle (New Style)
8	006481-40NS	Big-Flo Cartridge, LTC
9	000764-20	Seat, Big-Flo
10	001019-45	Coupling Nut Washer
11	00BB	3/4" NPT Female Eccentric Flange
12	00LL	3/4" Short Elbow Inlet
13	006482-40NS	Big-Flo Cartridge, RTC
14	001193-19NS	Red Button Index, Press-in



Product Specifications:  
 8" Wall Mount Big-Flo Mixing Faucet, Big-Flo Cartridges, Lever Handles,  
 16" Big-Flo Swing Nozzle & 3/4" NPT Female Inlets

Product Compliance:  
 ASME A112.18.1 / CSA B125.1  
 NSF 61 - Section 9  
 NSF 372 (Low Lead Content)  
 ANSI A117.1 (ADA)